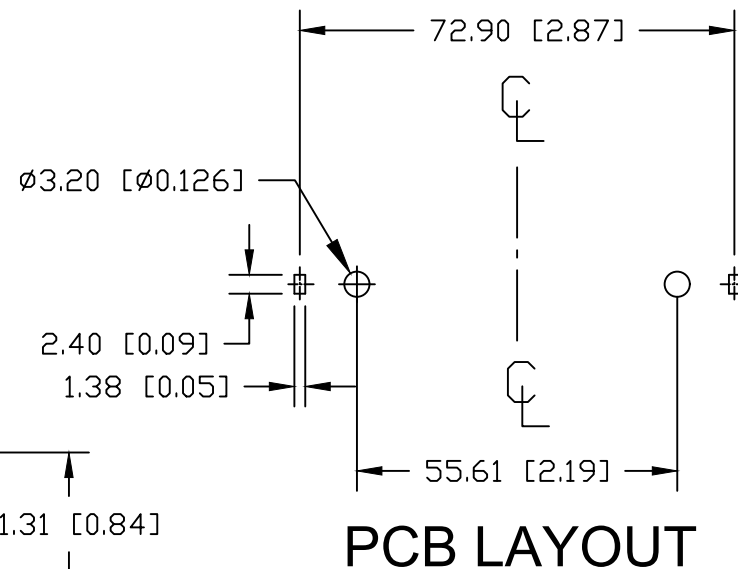
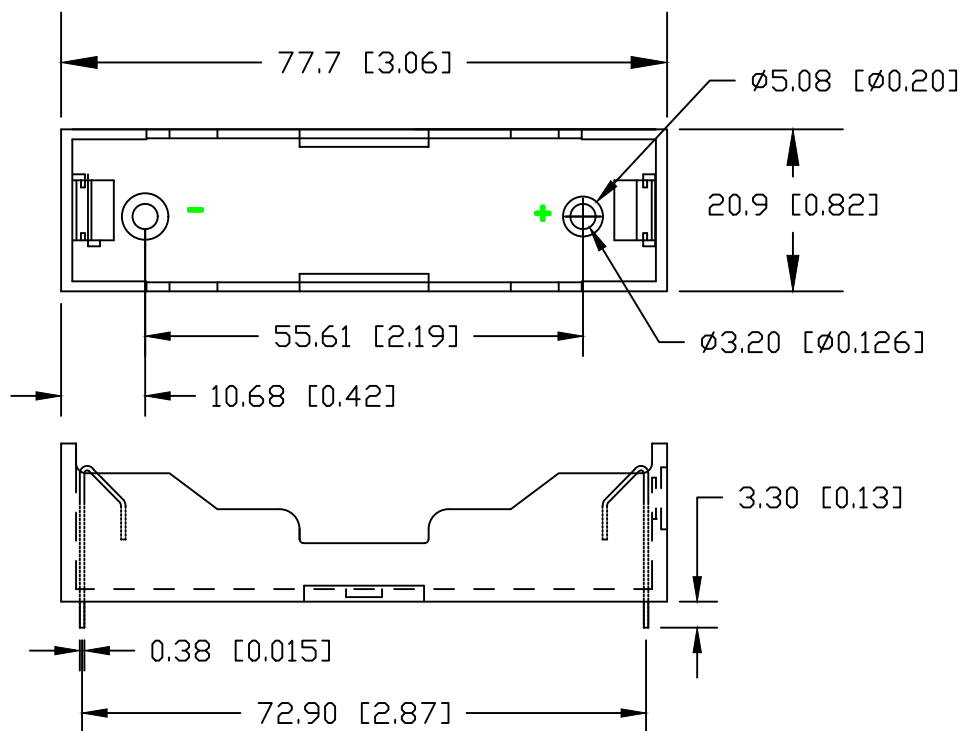


This battery holder is designed for use with protected 18650 batteries (PCB)

Date	SYM	REVISION RECORD	AUTH	DR.	CK.
09/16/11	A	UPDATED NOTES	T.B.	B.S.	
10/03/14	B	UPDATED TO ROHS 2 COMPLIANT	T.B.	B.S.	
06/30/17	C	UPDATED NOTES	T.B.	B.S.	
07/22/17	D	ADDED MOUNTING INSTRUCTION	T.B.	B.S.	
05/17/19	E	UPDATED NOTES	T.B.	B.S.	




**NOTES:**

Material: Self-extinguishing Thermoplastic Polyester, color black  
 Temperature Range: -40°C to +180°C  
 Contacts: 302 Stainless Steel Spring Temper, Nickel Plated  
 Flammability Rating: UL 94V-0  
 PC Pins: Steel, Nickel Plated  
 Dielectric Strength: 560 Volts/Mil. at 25°C for 5 Sec.  
 Resistance to Solvents: Xylene, ethyl, butyl, methyl & toluene  
 Weight: 11.60g.  
**ROHS COMPLIANT**

**Mounting Instruction:**

Use 2-56 machine screws or eyelets 0.089" OD by 0.15" flange stimpson GS-3 series or equivalent. also adhesives and double sided tapes work well.

Tolerance (Inches)	 <b>Memory Protection Devices, Inc</b> 200 Broad Hollow Road, Farmingdale, New York 11735		
Decimal ±.5 (.020)		Scale	Drawn By B.S.
			Approved By T.B.
Fractional ±.8 (.030)	Title ONE 18650 LI-ION CELL HOLDER		
Angular ± 3°	Date 05/17/19	Drawing Number BH-18650-PC	