

## MU150A Series - Constant Current Output & Dimming Control

### Features

- Input voltage range: 90-305VAC
- High efficiency: 92% typical
- Active PFC: 0.99 typical
- Lightning protection
- IP67 compliant
- Protections: OVP, SCP, OTP
- Comply with UL8750, UL1012, CSA-C22.2 No. 107.1, IEC61347-1, IEC61347-2-13
- UL / CE
- Dimming control: 0 ~ 10VDC
- 5-year warranty



205 × 86 × 43mm

### Electrical Specifications

Input voltage range	90~305VAC
Frequency	47~63Hz
Power factor	0.99 at 110VAC; 0.96 at 220VAC (typical)
Inrush current	65A MAX (25°C at 220VAC, cold start)
Input current	1.8A MAX at 110VAC; 0.9A MAX at 220VAC
Efficiency	92% (typical) at 220VAC maximum load
Maximum power	150 W
Line regulation	± 1%
Load regulation	± 3%
Leakage current	1mA MAX
Protections	Over voltage, short circuit, over temperature

### Environmental Specifications

Operating temperature	-35°C ~ +70°C
Storage temperature	-40°C ~ +85°C
Maximum case temperature	90°C
Humidity	5% ~ 100%RH
Cooling method	Convection
Isolation voltage	Input / output 3000VAC
MTBF	300,000 hours full load at 25°C ambient
Life time	50,000 hours at 50°C ambient
Reference dimension (L x W x H)	205 × 86 × 43 (mm)

### Safety & EMC Compliance

CUL	UL8750, UL1012, CSA-C22.2 No. 107.1
CE	EN 61347-1, EN61347-2-13
Conducted emissions	FCC Part15 / EN55015 Class B
Radiated emissions	FCC Part15 / EN55015 Class B
Harmonic current emissions	EN61000-3-2
Voltage fluctuations and flicker	EN61000-3-3
Electrostatic discharge	EN61000-4-2
RFE field susceptibility	EN61000-4-3
Electrical fast transient	EN61000-4-4
Surge immunity test	EN61000-4-5
Conducted radio frequency	EN61000-4-6
Power frequency magnetic field test	EN61000-4-8
Voltage dips	EN61000-4-11
Electromagnetic immunity	EN61547

### Model Specifications - Constant Current

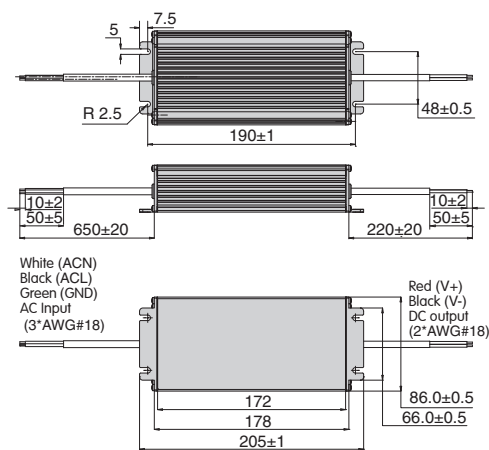
Part Number	Output Current	Output Voltage	Current Accuracy	Efficiency (typical)	
				110VAC	220VAC
MU150A035AQ	350mA	256-428VDC	± 5%	90%	92%
MU150A045AQ	450mA	200-333VDC	± 5%	90%	92%
MU150A070AQ	700mA	128-214VDC	± 5%	90%	92%
MU150A105AQ	1050mA	85-142VDC	± 5%	90%	92%
MU150A140AQ	1400mA	64-107VDC	± 5%	89%	91%
MU150A175AQ	1750mA	51-85VDC	± 5%	89%	91%
MU150A210AQ	2100mA	42-71VDC	± 5%	89%	91%
MU150A245AQ	2450mA	36-61VDC	± 5%	89%	91%
MU150A280AQ	2800mA	31-53VDC	± 5%	89%	91%
MU150A315AQ	3150mA	28-47VDC	± 5%	89%	91%
MU150A350AQ	3500mA	25-42VDC	± 5%	88%	90%
MU150A420AQ	4200mA	21-35VDC	± 5%	88%	90%
MU150A490AQ	4900mA	18-30VDC	± 5%	88%	90%
MU150A595AQ	5950mA	15-25VDC	± 5%	88%	90%

### Model Specifications - Dimming Control (0~10V)

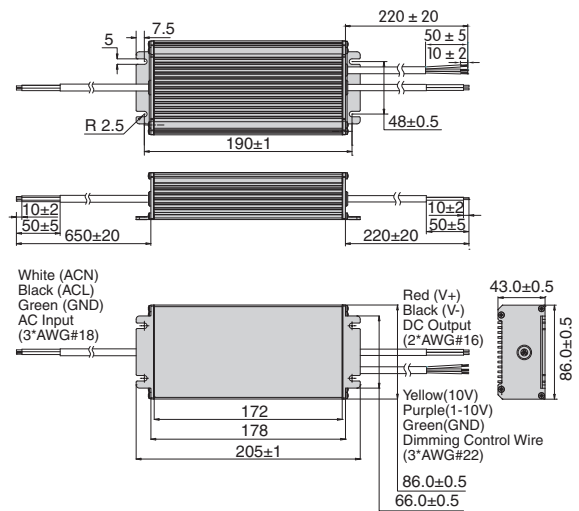
Part Number	Output Current	Output Voltage	Current Accuracy	Efficiency (typical)	
				110VAC	220VAC
MU150A035AQD	350mA	256-428VDC	± 5%	90%	92%
MU150A045AQD	450mA	200-333VDC	± 5%	90%	92%
MU150A070AQD	700mA	128-214VDC	± 5%	90%	92%
MU150A105AQD	1050mA	85-142VDC	± 5%	90%	92%
MU150A140AQD	1400mA	64-107VDC	± 5%	89%	91%
MU150A175AQD	1750mA	51-85VDC	± 5%	89%	91%
MU150A210AQD	2100mA	42-71VDC	± 5%	89%	91%
MU150A245AQD	2450mA	36-61VDC	± 5%	89%	91%
MU150A280AQD	2800mA	31-53VDC	± 5%	89%	91%
MU150A315AQD	3150mA	28-47VDC	± 5%	89%	91%
MU150A350AQD	3500mA	25-42VDC	± 5%	88%	90%
MU150A420AQD	4200mA	21-35VDC	± 5%	88%	90%
MU150A490AQD	4900mA	18-30VDC	± 5%	88%	90%
MU150A595AQD	5950mA	15-25VDC	± 5%	88%	90%

### Mechanical Outline (unit: mm)

#### Constant Current



#### Constant Current with Dimming Control (0~10V)



nume system

LED driver - PU se

LED driver - MU s

LED driver - other

genera power s - MF

genera power s - MS se