

MU060H Series

Features

- Input voltage: 90-305VAC
- High efficiency: 91% typical
- Active PFC: 0.99 typical
- High surge immunity
- Low THD
- IP67 compliant
- Protections: OVP, OCP, OTP, SCP
- Constant Current / 0-10V Dimming / Clock Dimming(CLK) / Standby(STB)
- Compliance to worldwide safety regulations for lighting
- Suitable for dry/damp locations
- CUL / CE
- 5-year warranty



173 x 67.5 x 40mm

Electrical Specifications

Input voltage range	90~305VAC
Frequency	47~63Hz
Power factor	0.99 (typical) , >0.90 100~277VAC input, 70%~100% load
Input current	0.8A at 110VAC, 0.4A at 220VAC
Inrush current	50A MAX at 220VAC
Leakage current	1mA MAX at 277Vac/60Hz input
Maximum output power	60W
Line regulation	± 1%
Load regulation	± 3%
Start-up time	<1.5s at 110VAC, <0.75s at 220VAC
Protections	over voltage, over current, over temperature, short circuit: auto recovery
THD	< 10% , 220VAC , 50Hz input, 70%~100% load < 15% , 110VAC/277VAC , 60Hz input, 70%~100% load

Environmental Specifications

Operating temperature	-40°C ~ +70°C
Operating humidity	20 ~ 95% RH
Storage temperature	-40°C ~ +80°C
Storage humidity	10 ~ 95% RH
Cooling method	convection
Isolation voltage	input / output 3750VAC
MTBF	300,000 hours full load at 25°C ambient
Life time	50,000 hours, 75°C TC
Reference dimension (L x W x H)	173 x 67.5 x 40 (mm)
Weight	0.8 kg

Safety & EMC Compliance

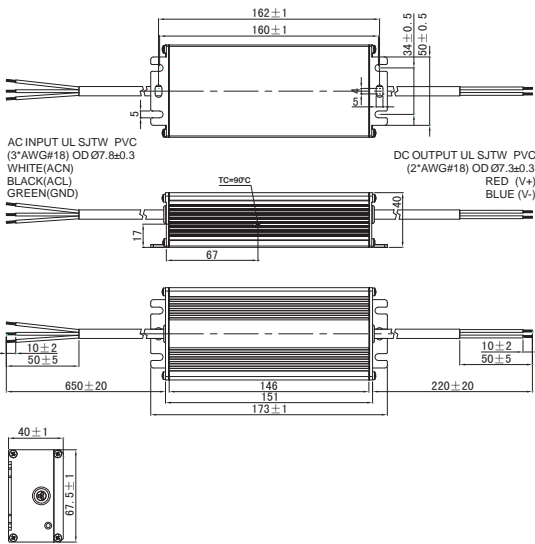
CUL	UL8750, UL1012, UL1310, CSA-C22.2 NO. 107.1, CSA-C22.2 NO. 223-M91
CE	EN 61347-1, EN61347-2-13
Conducted emissions	FCC Part15 / EN55015 Class B
Radiated emissions	FCC Part15 / EN55015 Class B
Harmonic current emissions	EN61000-3-2
Voltage fluctuations and flicker	EN61000-3-3
Electrostatic discharge	EN61000-4-2
RFE field susceptibility	EN61000-4-3
Electrical fast transient	EN61000-4-4
Surge immunity test	EN61000-4-5 (Surge: L-N, 4KV, L/N-Earth, 6KV)
Conducted radio frequency	EN61000-4-6
Power frequency magnetic field test	EN61000-4-8
Voltage dips	EN61000-4-11
Electromagnetic immunity	EN61547

Model Specifications

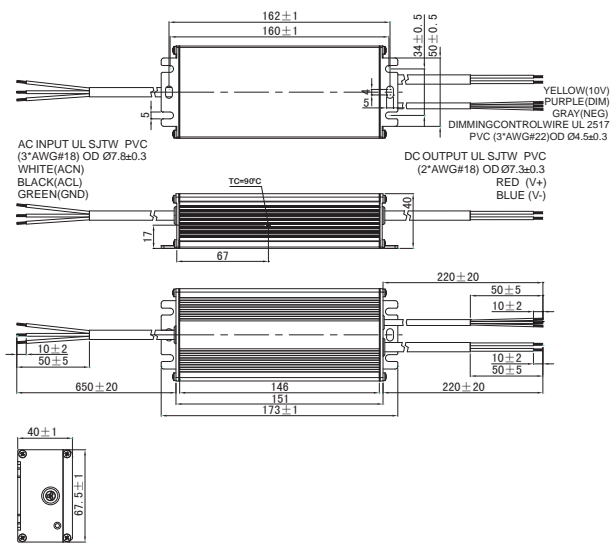
Constant Current	Model			Output Current	Output Voltage	Current Accuracy	Efficiency (typical)	
	0-10V Dimming	Clock Dimming	Standby				110Vac	220Vac
MU060H035AQ	MU060H035AQ_0-10V	MU060H035AQ_CLK	MU060H035AQ_STB	350mA	85-170VDC	± 5%	90.0%	91.0%
MU060H045AQ	MU060H045AQ_0-10V	MU060H045AQ_CLK	MU060H045AQ_STB	450mA	67-134VDC	± 5%	90.0%	91.0%
MU060H053AQ	MU060H053AQ_0-10V	MU060H053AQ_CLK	MU060H053AQ_STB	530mA	66-113VDC	± 5%	89.0%	90.0%
MU060H070AQ	MU060H070AQ_0-10V	MU060H070AQ_CLK	MU060H070AQ_STB	700mA	43-86VDC	± 5%	89.0%	90.0%
MU060H105AQ	MU060H105AQ_0-10V	MU060H105AQ_CLK	MU060H105AQ_STB	1050mA	29-58VDC	± 5%	89.0%	90.0%
MU060H140AQ	MU060H140AQ_0-10V	MU060H140AQ_CLK	MU060H140AQ_STB	1400mA	21-43VDC	± 5%	88.0%	89.0%
MU060H175AQ	MU060H175AQ_0-10V	MU060H175AQ_CLK	MU060H175AQ_STB	1750mA	17-35VDC	± 5%	88.0%	89.0%
MU060H210AQ	MU060H210AQ_0-10V	MU060H210AQ_CLK	MU060H210AQ_STB	2100mA	14-29VDC	± 5%	87.0%	88.0%
MU060H245AQ	MU060H245AQ_0-10V	MU060H245AQ_CLK	MU060H245AQ_STB	2450mA	12-25VDC	± 5%	87.0%	88.0%
MU060H280AQ	MU060H280AQ_0-10V	MU060H280AQ_CLK	MU060H280AQ_STB	2800mA	10-21VDC	± 5%	86.0%	87.0%
MU060H315AQ	MU060H315AQ_0-10V	MU060H315AQ_CLK	MU060H315AQ_STB	3150mA	10-19VDC	± 5%	85.0%	86.0%
MU060H350AQ	MU060H350AQ_0-10V	MU060H350AQ_CLK	MU060H350AQ_STB	3500mA	9-17VDC	± 5%	84.0%	85.0%
MU060H420AQ	MU060H420AQ_0-10V	MU060H420AQ_CLK	MU060H420AQ_STB	4200mA	7-14VDC	± 5%	83.0%	84.0%
MU060H500AQ	MU060H500AQ_0-10V	MU060H500AQ_CLK	MU060H500AQ_STB	5000mA	6-12VDC	± 5%	82.0%	83.0%

Mechanical Outline (unit: mm)

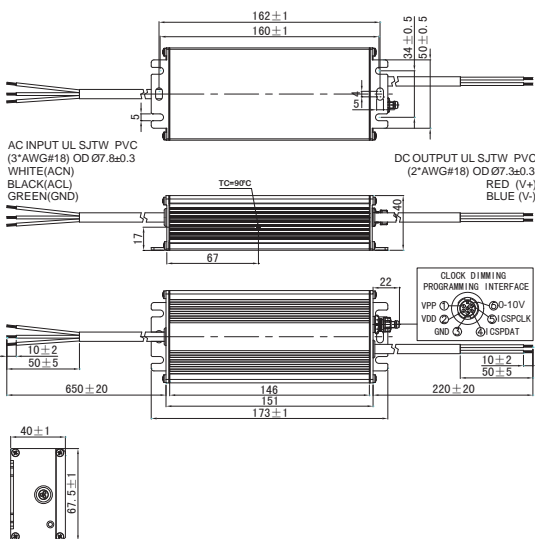
Constant Current



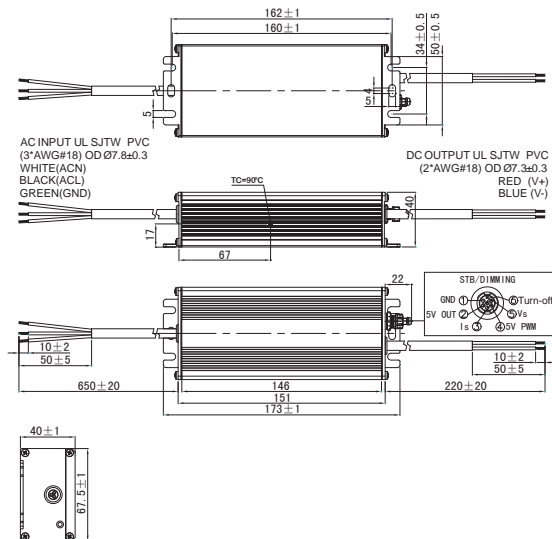
0-10V Dimming



Clock Dimming



Standby



Numbering System

LED Driver - General Series - Outdoor Use - A Series

LED Driver - General Series - Outdoor Use - H Series

LED Driver - General Series - Outdoor Use - Half Potail Series

LED Driver - Outdoor Use - Dimmer Types

LED Driver - General Series - Indoor Use

LED Driver - Intelligent Series - 30W Intelligent Series

LED Driver - Intelligent Series - 30W Intelligent Series

LED Driver - Programmable Series - Clock Control Series

General Power Supplies - MF Series

SPD

Appendix