

# MU050H Series

## Features

- Input voltage: 90-305VAC
- High efficiency: 91% typical
- Active PFC: 0.99 typical
- High surge immunity
- Low THD
- IP67 compliant
- Protections: OVP, OCP, OTP, SCP
- Constant Current / 0-10V Dimming / Clock Dimming(CLK)
- Compliance to worldwide safety regulations for lighting
- Suitable for dry/damp locations
- CUL / CE
- 5-year warranty



193 x 42.5 x 34.5mm

## Electrical Specifications

Input voltage range	90~305VAC
Frequency	47~63Hz
Power factor	0.99 ( typical ) , > 0.90 100~277VACinput, 75%~100% load
Input current	0.7A at 110VAC, 0.35A at 220VAC
Inrush current	50A MAX at 220VAC
Leakage current	1mA MAX at 277Vac/60Hz input
Maximum output power	50W
Line regulation	± 1%
Load regulation	± 3%
Start-up time	<1.5s at 110VAC, <0.75s at 220VAC
Protections	over voltage, over current, over temperature, short circuit: auto recovery
THD	< 10%, 220VAC, 50Hz input, 70%~100% load < 15%, 110VAC/277VAC, 60Hz input, 70%~100% load

## Environmental Specifications

Operating temperature	-40°C ~ +70°C
Operating humidity	20 ~ 95% RH
Storage temperature	-40°C ~ +80°C
Storage humidity	10 ~ 95% RH
Cooling method	convection
Isolation voltage	input / output 3750VAC
MTBF	300,000 hours full load at 25°C ambient
Life time	50,000 hours, 75°C TC
Reference dimension (L x W x H)	193 x 42.5 x 34.5 (mm)
Weight	0.55 kg

## Safety & EMC Compliance

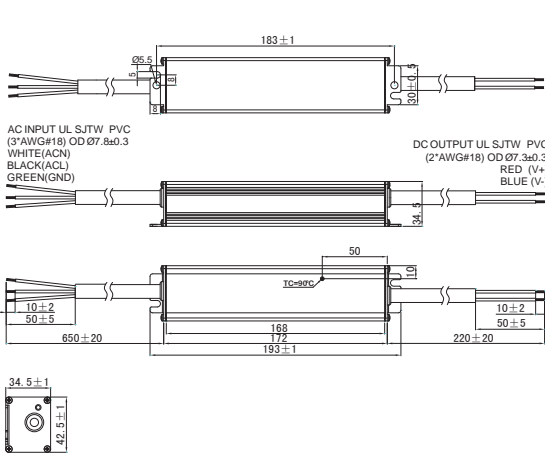
CUL	UL8750, UL1012, UL1310, CSA-C22.2 NO. 107.1, CSA-C22.2 NO. 223-M91
CE	EN 61347-1, EN61347-2-13
Conducted emissions	FCC Part15 / EN55015 Class B
Radiated emissions	FCC Part15 / EN55015 Class B
Harmonic current emissions	EN61000-3-2
Voltage fluctuations and flicker	EN61000-3-3
Electrostatic discharge	EN61000-4-2
RFE field susceptibility	EN61000-4-3
Electrical fast transient	EN61000-4-4
Surge immunity test	EN61000-4-5 ( Surge: L-N, 4KV, L/N-Earth, 6KV )
Conducted radio frequency	EN61000-4-6
Power frequency magnetic field test	EN61000-4-8
Voltage dips	EN61000-4-11
Electromagnetic immunity	EN61547

## Model Specifications

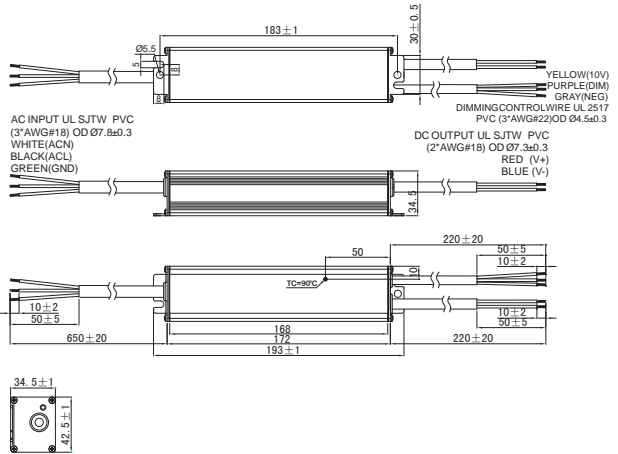
Constant Current	Model		Output Current	Output Voltage	Current Accuracy	Efficiency (typical)	
	0-10V Dimming	Clock Dimming				110Vac	220Vac
MU050H035AQ	MU050H035AQ_0-10V	MU050H035AQ_CLK	350mA	71-142VDC	± 5%	90.0%	91.0%
MU050H045AQ	MU050H045AQ_0-10V	MU050H045AQ_CLK	450mA	55-111VDC	± 5%	90.0%	91.0%
MU050H070AQ	MU050H070AQ_0-10V	MU050H070AQ_CLK	700mA	36-72VDC	± 5%	89.0%	90.0%
MU050H105AQ	MU050H105AQ_0-10V	MU050H105AQ_CLK	1050mA	24-48VDC	± 5%	89.0%	90.0%
MU050H140AQ	MU050H140AQ_0-10V	MU050H140AQ_CLK	1400mA	18-36VDC	± 5%	88.0%	89.0%
MU050H175AQ	MU050H175AQ_0-10V	MU050H175AQ_CLK	1750mA	14-29VDC	± 5%	88.0%	89.0%
MU050H210AQ	MU050H210AQ_0-10V	MU050H210AQ_CLK	2100mA	12-24VDC	± 5%	87.0%	88.0%
MU050H245AQ	MU050H245AQ_0-10V	MU050H245AQ_CLK	2450mA	10-20VDC	± 5%	87.0%	88.0%
MU050H280AQ	MU050H280AQ_0-10V	MU050H280AQ_CLK	2800mA	9-18VDC	± 5%	86.0%	87.0%
MU050H315AQ	MU050H315AQ_0-10V	MU050H315AQ_CLK	3150mA	8-16VDC	± 5%	84.5%	86.0%

## Mechanical Outline (unit: mm)

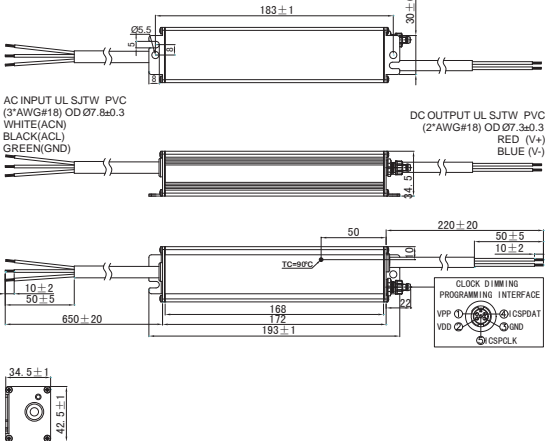
### Constant Current



### 0-10V Dimming



### Clock Dimming



Numbering System

LED Driver - General Series - Outdoor Use - A Series

LED Driver - General Series - Outdoor Use - H Series

LED Driver - General Series - Half Potail Series

LED Driver - Outdoor Use - Down Types

LED Driver - General Series - Indoor Use

LED Driver - Intelligent Series - 50W Intelligent Series

LED Driver - Intelligent Series - 30W Intelligent

LED Driver - Programmable Series - Clock Control Series

General Power Supplies - MF Series

SPD

Appendix