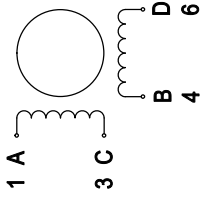


4611110027310

A

接线图
Wiring Diagram



励磁顺序 vs. 旋转方向
Exciting Sequence vs. Direction of Rotation

励磁顺序 vs. 旋转方向
Exciting Sequence vs. Direction of Rotation

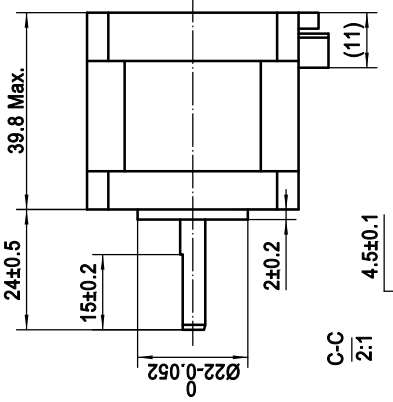
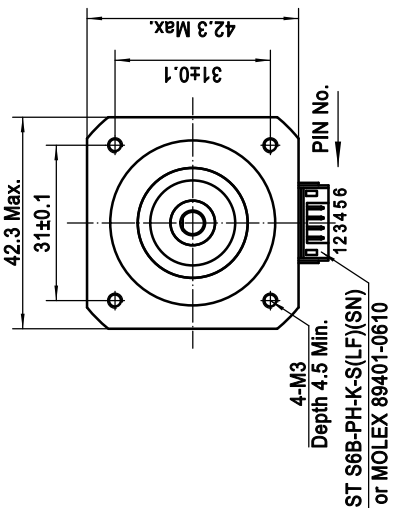
STEP	A	B	C	D	CCW
1	+	+	-	-	
2	-	+	+	-	
3	-	-	+	+	
4	+	-	-	+	

从该视图为旋转方向
Clockwise view from mounting side

顺时针视图从安装侧

铭牌 Label Detail

MOONS' STEPPING MOTOR
TYPE: MS17HD2P4200-000
XXXXXXXX YY/MM/DD
Work Order 加单
Date Format 日期格式



规格 Specifications

1. 相数 Number of Phase	2
2. 步距角 Step Angle	1.8°
3. 额定电压 Rated Voltage	2.08 V DC
4. 额定电流 Rated Current	2.0 Amp
5. 额定保持转矩 Holding Torque	0.48 Nm Typ. (Two phase on/ rated current)
6. 相电阻 Phase Resistance	1.04 ohm±10% (200)
7. 相电感 Phase Inductance	2.2 mH±20% (1kHz 1V rms)
8. 转惯量 Rotor Inertia	57 gcm ²
9. 重量 Motor Weight	0.28 kg
10. 绝缘等级 Insulation Class	B (1300)

MOONS'

Shanghai MOONS' Electric Co., Ltd.

This document is released for information only. Its reproduction in whole or in part or its dissemination to third parties is prohibited. All trademarks and registered trademarks appearing on this document are the property of their respective owners.

批准 Approve	标准 Standard	工艺 Technology	检查 Check	设计 Design	NAMES	SIGNATURE	DATE
						张攀	2017.08.31

Unit: 第一角画法
FIRST ANGLE METHOD
未注公差与角度尺寸公差
Tolerances for linear and angular dimensions without individual tolerance indications
未注形位公差
GB/T 1184-K eqv ISO 2768-2: K
Individual tolerance indications

原始 Original revision	日期 DATE	UNLESS OTHERWISE SPECIFIED	名称 NAMES	日期 DATE	名称 NAMES	日期 DATE
A	2017.08.31					
REV.	记录 REVISION RECORD					