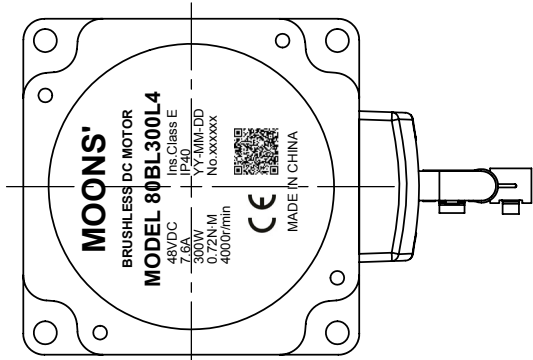


461113000050



规格 Specifications

| | | | |
|----|----------------------------------|-----------------------|------------------------------|
| 1 | 额定电压/Rated power supply | 48 | VDC |
| 2 | 额定输出功率/Rated output power | 300 | W |
| 3 | 极数/Poles number | 8 | |
| 4 | 相数/Phase number | 3 | |
| 5 | 额定转速/Rated rotational speed | 4000 | RPM |
| 6 | 最大转速/Maximum speed | 5000 | RPM |
| 7 | 额定转矩/Rated torque | 0.72 | N·m |
| 8 | 额定电流/Rated winding current | 7.60 | A |
| 9 | 线反电势系数/Voltage constant | ±10% | |
| 10 | 惯量/Moment of inertia | 1.08×10^{-4} | $\text{kg} \cdot \text{m}^2$ |
| 11 | 线电阻Ph/ph resistance | ±10% at 20°C | Ω |
| 12 | 线电感Ph/ph inductance | ±30% at 1KHz 20°C | mH |
| 13 | 电机质量/Motor mass | 2.56 | kg |
| 14 | 绝缘等级/Insulation class | E | 120°C |
| 15 | 防护等级/Protective enclosure rating | IP40 | |

Unit: mm

第一角画法
FIRST ANGLE METHOD

未注线性与角度尺寸公差
Tolerances for linear and angular dimensions without
individual tolerance indications

GB/T 1804-m eqv ISO 2768-1 : m

未注形状与位置尺寸公差
Geometrical tolerance for features without
individual tolerance indications

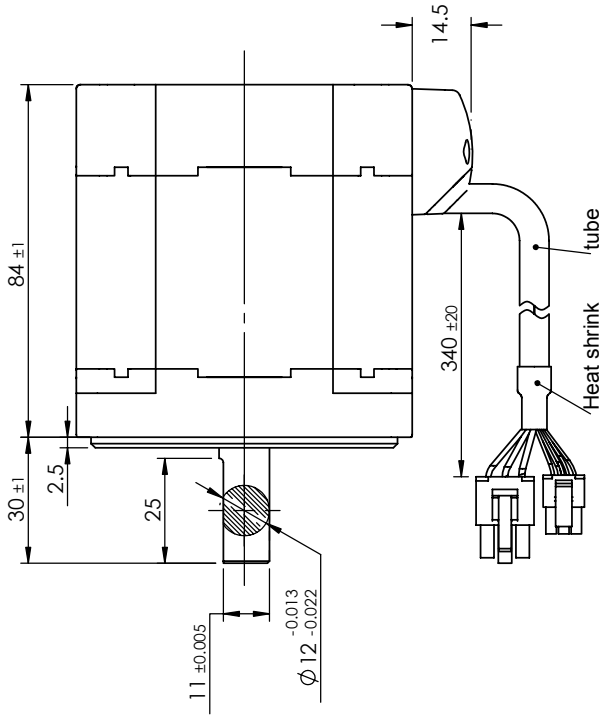
GB/T 1184-K eqv ISO 2768-2 : K

UNLESS OTHERWISE SPECIFIED

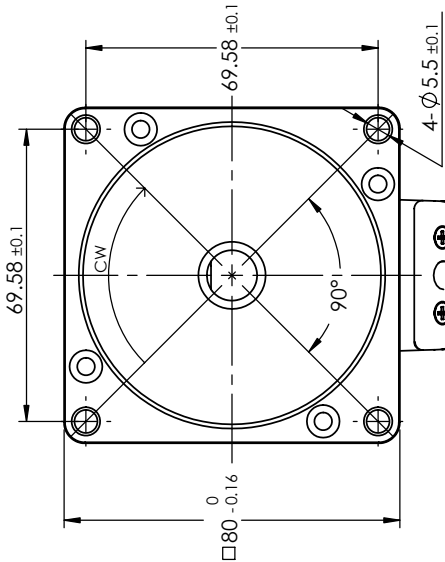
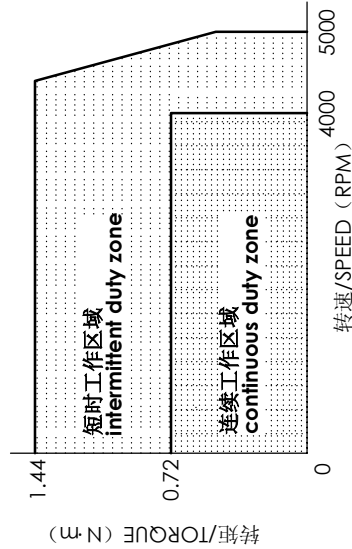
DATE

版本记录 REVISION RECORD

REV.



转矩-转速特性 Torque-speed specifications



Housing:
MOLEX P/N 39-01-4031 (Write)
MOLEX P/N 43025-0600 (Black)
Crimp:
MOLEX P/N 39-00-0207
MOLEX P/N 43030-0005

| 编号 No. | 线色 COLOR | 定义 FUNCTION |
|--------|----------|-------------|
| 1 | 蓝/blue | W |
| 2 | 橙/orange | U |
| 3 | 黄/yellow | V |

| 编号 No. | 线色 COLOR | 定义 FUNCTION |
|--------|----------|-------------|
| 1 | 红/red | VCC (+5V) |
| 2 | 黄/yellow | Hv |
| 3 | 蓝/blue | Hw |
| 4 | 黑/black | GND |
| 5 | 橙/orange | Hu |

MOONS'

Shanghai Moons' Electric Co., Ltd.

This document is released for information only. Its reproduction in whole or in part or its dissemination to third parties is prohibited. All trademarks and registered trademarks appearing on this document are the property of their respective owners.

Type: 80BL300L4 Rev. A SCALE 1:1 Sheet 1 of 1

批准 Approve
标准化 Standard
工艺 Technology
审核 Check
设计 Design
黄书文
2013-1-14
DATE

UNLESS OTHERWISE SPECIFIED
DATE

版本记录 REVISION RECORD
REV.