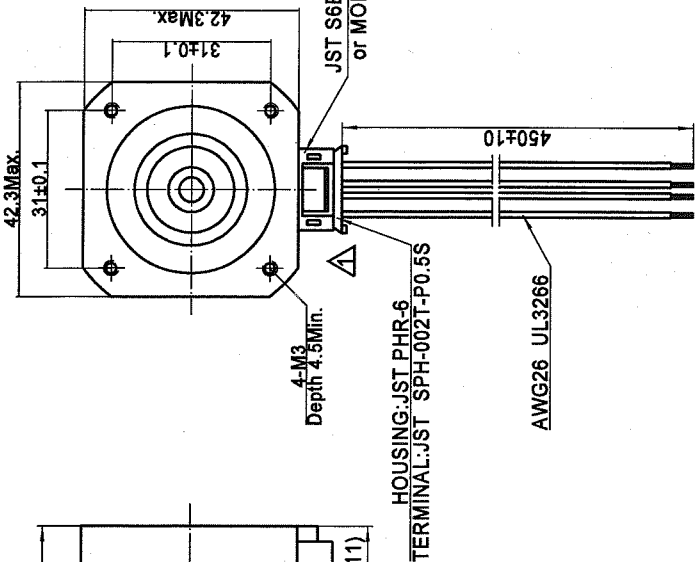
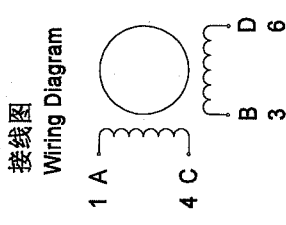


4611110014791

连接器针位 vs. 引线颜色
Pin No. vs. Lead Wire Colour

PHR-6 PIN No.	颜色 Colour
1	黑BLK
3	绿GRE
4	红RED
6	蓝BLU



励磁顺序 vs. 旋转方向
Exciting Sequence vs. Direction of Rotation

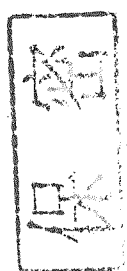
STEP	A	B	C	D	CCW
1	+	+	-	-	
2	-	+	+	-	
3	-	-	+	+	
4	+	-	-	+	

从安装面看为顺时针方向
Clockwise view from mounting side

铭牌 Label Detail

MOONS' STEPPING MOTOR
TYPE 17HD0002-37
XXXXXXXX YY/MM/DD

Work Order 加工单号
Date Format 日期格式



规格 Specifications

1. 相数 Number of Phase	2
2. 步距角 Step Angle	1.8°
3. 额定电压 Rated Voltage	12V DC
4. 额定电流 Rated Current	0.4Amp
5. 保持力矩 Holding Torque	0.3N.m Typ. (Two phase on/rated current)
6. 相电阻 Phase Resistance	30ohm±10%(20°C)
7. 相电感 Phase Inductance	38mH±20%(1kHz 1V rms)
8. 转子惯量 Rotor Inertia	38g.cm ²
9. 电机重量 Motor Weight	0.21kg
10. 绝缘等级 Insulation Class	B(130°C)

Unit: mm
第一角画法
FIRST ANGLE METHOD
未注线性与角度尺寸公差
Tolerances for linear and angular dimensions without individual tolerance indications
GB/T 1804-m eqv ISO 2768-1: m
未注形状与位置尺寸公差
Geometrical tolerances for features without individual tolerance indications
GB/T 1194-K eqv ISO 2768-2: K

批准 Approve	7.12	MOONS'	Hybrid Stepping Motor
标准化 Standard	7.12	Shanghai Moons' Electric Co., Ltd.	
工艺 Technology	7.12	This document is released for information only. Its reproduction in whole or in part or its dissemination to third parties is prohibited. All trademarks and registered trademarks appearing on this document are the property of their respective owners.	
审核 Check	7.12	Type: 17HD0002-37	Rev.B
设计 Design	汪健英	DATE	SCALE 1:1
NAMES	汪健英	Rev.B	Sheet 1 of 1
UNLESS OTHERWISE SPECIFIED	2016.07.11	7	8
REVISION RECORD	2015.12.07	6	