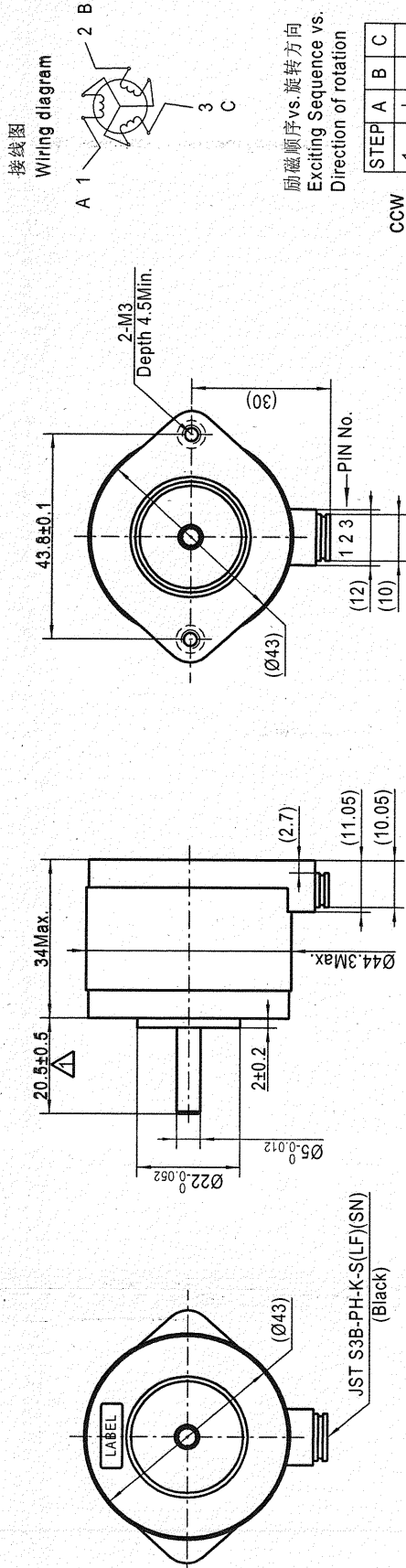


4611110015945



接线图
Wiring diagram

励磁顺序 vs. 旋转方向
Exciting Sequence vs. Direction of rotation

STEP	A	B	C
1	+	-	-
2	-	-	+
3	-	+	+
4	-	+	-
5	+	+	-
6	+	-	-

从安装面看为顺时针方向
Clockwise view from mounting side

规格 Specifications

1. 相数 Number of Phase	3
2. 步距角 Step Angle	1.2°
3. 额定电压 Rated Voltage	9.6V DC
4. 额定电流 Rated Current	0.8Amp
5. 保持转矩 Holding Torque	0.36Nm Typ. (Two phase on/rated current)
6. 相电阻 Phase Resistance	120hm±10%(20°C)
7. 相电感 Phase Inductance	14.8mH±20%(1kHz 1V rms)
8. 转子惯量 Rotor Inertia	57g.cm ²
9. 电机重量 Motor Weight	0.245kg
10. 绝缘等级 Insulation Class	B(130°C)

保密

铭牌 Label Detail

MOONS' STEPPING MOTOR
TYPE 17HC2001-18N
XXXXXXXX YY/MM/DD

Work Order 加工单号
Date Format 日期格式

REV.	版本记录	REVISION RECORD	DATE	UNLESS OTHERWISE SPECIFIED	NAMES	SIGNATURE	DATE
B	原出轴长度	20±0.5	2016.11.23				
A	原始版本	Original revision	2016.07.20				

批准 Approve	标准化 Standard	工艺 Technology	审核 Check	设计 Design	批注	日期
						11.24
						11.24
						11.24
						2016.11.23

MOONS'	Hybrid Stepping Motor
Shanghai Moons' Electric Co., Ltd.	
This document is released for information only. Its reproduction in whole or in part or its dissemination to third parties is prohibited. All trademarks and registered trademarks appearing on this document are the property of their respective owners.	
Type: 17HC2001-18N	SCALE 1:1
Rev. B	Sheet 1 of 1