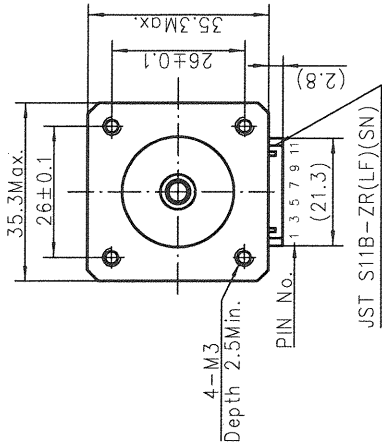
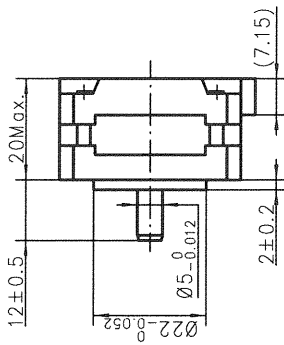
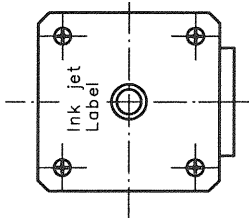
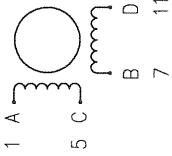


461110012716



接线图
Wiring Diagram



连接器针位 vs. 引线颜色
Pin No. vs. Lead Wire Colour

ZHR-11 PIN No.	颜色 Colour
1	BLK 黑
5	GRN 绿
7	RED 红
11	BLU 蓝

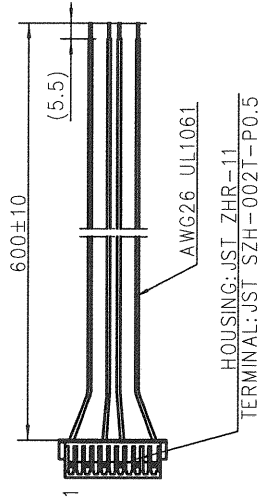
励磁顺序 vs. 旋转方向
Exciting Sequence vs. Direction of Rotation

从安装面看为顺时针方向
Clockwise view from mounting side

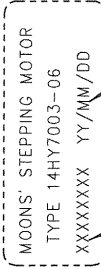
STEP	A	B	C	D
1	+	+	-	-
2	-	-	+	+
3	-	+	+	-
4	+	-	-	+

规格 Specifications

1. 相数 Number of Phase	2
2. 步距角 Step Angle	1.8°
3. 额定电压 Rated Voltage	12V DC
4. 额定电流 Rated Current	0.4Amp
5. 保持力矩 Holding Torque	50mN.m Min. (Two phase on/rated current)
6. 相电阻 Phase Resistance	30ohm±10%(20°C)
7. 相电感 Phase Inductance	28mH±20%(1kHz 1V rms)
8. 转子惯量 Rotor Inertia	10g.cm ²
9. 电机重量 Motor Weight	90g
10. 绝缘等级 Insulation Class	B(130°C)



铭牌 Label Detail



Work Order 加工单号
Date Format 日期格式

保 密

REV.	版本记录 REVISION RECORD	DATE	UNLESS OTHERWISE SPECIFIED	NAMES	SIGNATURE	DATE
A	原始版本 Original revision	2014.05.19		设计 Design	郭卫朋	2014.05.19
				审核 Check		
				工艺 Technology		
				标准化 Standard		
				批准 Approve		

Unit: mm
第一角画法
FIRST ANGLE METHOD
未注线性与角度尺寸公差
Tolerances for linear and angular dimensions without individual tolerance indications
GB/T 1804-m eqv ISO 2768-1: m
未注形位与位置尺寸公差
Geometrical tolerance indications without individual tolerance indications
GB/T 1184-K eqv ISO 2768-2: K

批准 Approve	郭卫朋	5.19
标准化 Standard	郭卫朋	5.19
工艺 Technology	郭卫朋	5.19
审核 Check	郭卫朋	5.19
设计 Design	郭卫朋	2014.05.19

MOONS'		Hybrid Stepping Motor
Shanghai Moons' Electric Co., Ltd.		
This document is released for information only, its reproduction in whole or in part or its dissemination to third parties is prohibited. All trademarks and registered trademarks appearing on this document are the property of their respective owners.		
Type: 14HY7003-06	Rev.A	SCALE 1:1
1	2	3
4	5	6
7	8	9
10	11	12