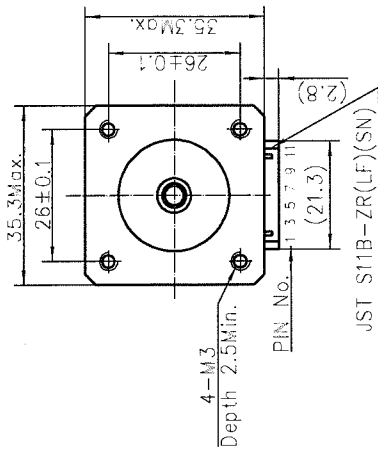
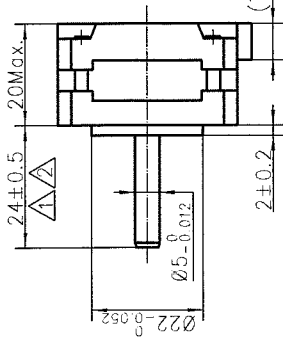
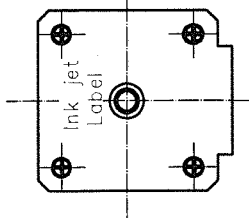
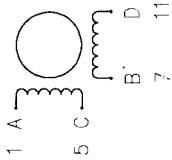


461110012714



接线图
Wiring Diagram



连接器针位 vs. 引线颜色
Pin No. vs. Lead Wire Colour

ZHR-11 PIN No.	颜色 Colour
1	BLK 黑
5	GRN 绿
7	RED 红
11	BLU 蓝

规格 Specifications

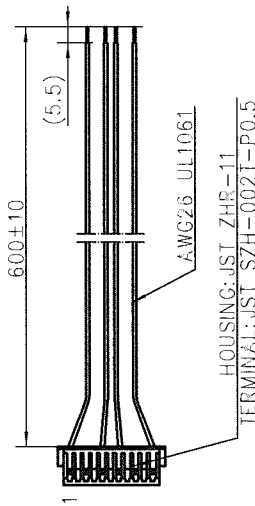
1. 相数 Number of Phase	2
2. 步距角 Step Angle	1.8°
3. 额定电压 Rated Voltage	12V DC
4. 额定电流 Rated Current	0.4Amp
5. 保持力矩 Holding Torque	50mN.m Min. (Two phase on/rated current)
6. 相电阻 Phase Resistance	30ohm±10%(20°C)
7. 相电感 Phase Inductance	28mH±20%(1kHz 1V rms)
8. 转子惯量 Rotor Inertia	10g.cm ²
9. 电机重量 Motor Weight	90g
10. 绝缘等级 Insulation Class	B(130°C)

励磁顺序 vs. 旋转方向
Exciting Sequence vs. Direction of Rotation

励磁顺序 vs. 旋转方向
Exciting Sequence vs. Direction of Rotation

STEP	A	B	C	D
1	+	+	-	-
2	-	+	+	-
3	-	-	+	+
4	+	-	-	+

从安装面看为顺时针方向
Clockwise view from mounting side



铭牌 Label Detail



Work Order 加工单号
Date Format 日期格式

REV.	版本记录 REVISION RECORD	DATE	UNLESS OTHERWISE SPECIFIED	NAMES	SIGNATURE	DATE	Type: 14HY7003-04	Rev.C	SCALE 1:1	Sheet 1 of 1
C	前出轴长度/Front shaft length: 25±0.5	2016.10.12	Unit: mm 第一角画法 FIRST ANGLE METHOD 未注线性与角度尺寸公差 UNLESS OTHERWISE SPECIFIED 线性公差 DIMENSIONS IN MILLIMETERS ISO 2768-M	批准 Approve	[Signature]	10.13	MOONS' Hybrid Stepping Motor			
B	前出轴长度/Front shaft length: 24±0.5	2016.07.12	未注形状与位置尺寸公差 DIMENSIONS IN MILLIMETERS ISO 2768-M	标准化 Standard	[Signature]	10.13	Shanghai Moons' Electric Co., Ltd.			
A	原始版本 Original revision	2014-05-19		工艺 Technology	[Signature]	10.13	This document is released for information only. Its reproduction in whole or in part or its dissemination to third parties is prohibited. All trademarks and registered trademarks appearing on this document are the property of their respective owners.			
				审核 Check	[Signature]	2016.10.12				
				设计 Design	郭卫朋	2016.10.12				

保密