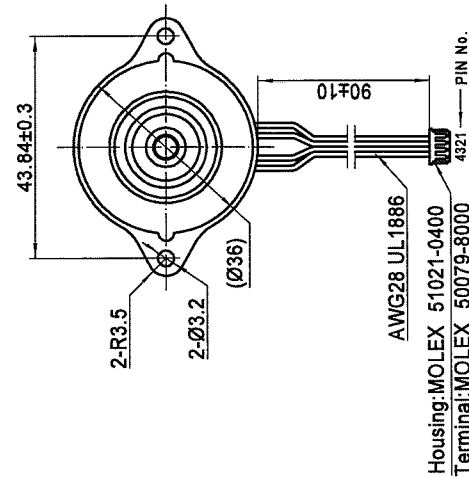
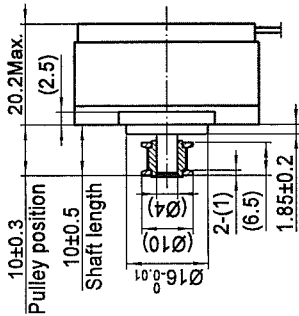
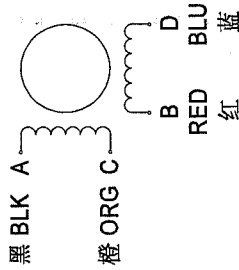


4611110016289



接线图
Wiring Diagram



Pin No.	颜色 Colour
1	黑 Black
2	橙 Orange
3	红 Red
4	蓝 Blue

励磁顺序 vs. 旋转方向

Exciting Sequence vs. Direction of Rotation

STEP	A	B	C	D	CW	CCW
1	+	+	-	-	+	-
2	-	+	+	-	-	+
3	-	-	+	+	+	-
4	+	-	-	+	-	+

规格 Specifications

1. 相数 Number of Phase	2
2. 步距角 Step Angle	0.9°
3. 额定电压 Rated Voltage	3.54V DC
4. 额定电流 Rated Current	0.3Amp
5. 保持力矩 Holding Torque	85mNm Typ. (Two phase on/rated current)
6. 相电阻 Phase Resistance	11.8ohm±10% (20°C)
7. 相电感 Phase Inductance	9.5mH±20% (1kHz 1V rms)
8. 转子惯量 Rotor Inertia	11gcm ²
9. 电机重量 Motor Weight	0.11kg
10. 绝缘等级 Insulation Class	B(130°C)

带轮规格 Pulley Specification

齿型 Profile	MXL
齿数 Number of Teeth	12
节距 Pitch	2.032
节圆 Pitch Diameter	Ø7.76
齿顶圆 Outside Diameter	Ø7.25 ^{+0.05} ₀
材料 Material	HPb59-1

保密

铭牌 Label Detail

MOONS' STEPPING MOTOR
TYPE 14HK2405-01N
XXXXXXXX YY/MM/DD

Work Order 加工单号
Date Format 日期格式

Unit: mm
第一角画法
FIRST ANGLE METHOD
未注公差与角度尺寸公差
Tolerances for linear and angular dimensions without individual tolerance indications
GB/T 1804-m eqv ISO 2768-1: m
未注形位与位置尺寸公差
Geometrical tolerances for form without individual tolerance indications
GB/T 1184-K eqv ISO 2768-2: K

REV.	版本记录 REVISION RECORD	DATE	UNLESS OTHERWISE SPECIFIED	NAMES	SIGNATURE	DATE
B	3蓝Blue 4红Red	2018.09.11		孙鹏凌		2018.09.11
A	原始版本 Original revision	2016.09.29				

批准 Approve	标准化 Standard	工艺 Technology	审核 Check	设计 Design	NAMES	SIGNATURE	DATE

MOONS'
Shanghai Moons' Electric Co., Ltd.

This document is released for information only. Its reproduction in whole or in part or its dissemination to third parties is prohibited. All trademarks and registered trademarks appearing on this document are the property of their respective owners.

Type: 14HK2405-01N Rev.B SCALE 1:1 Sheet 1 of 1