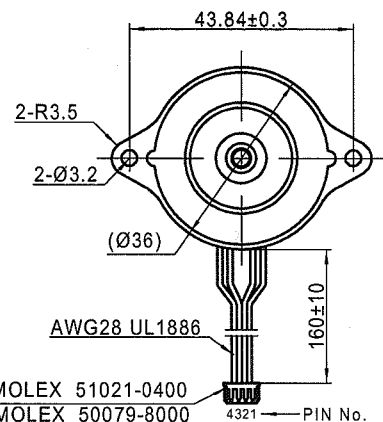
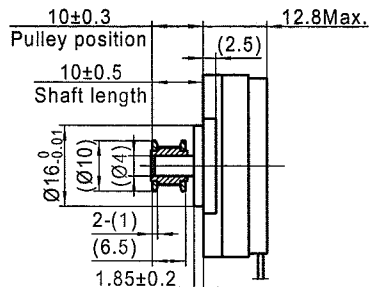
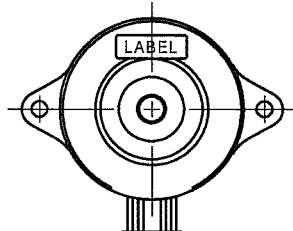
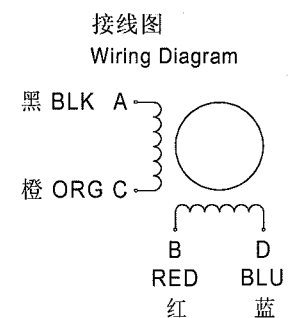


4611110016288



Housing: MOLEX 51021-0400
Terminal: MOLEX 50079-8000



连接器针位 vs. 引线颜色
Pin No. vs. Lead Wire Colour

PIN No.	颜色 Colour
1	黑 BLK
2	橙 ORG
3	红 RED
4	蓝 BLU

保 密

励磁顺序 vs. 旋转方向
Exciting Sequence vs. Direction of Rotation

STEP	A	B	C	D	
1	+	+	-	-	
2	-	+	+	-	
3	-	-	+	+	
4	+	-	-	+	

从安装面看为顺时针方向
Clockwise view from mounting side

规格 Specifications

1. 相数 Number of Phase	2
2. 步距角 Step Angle	0.9°
3. 额定电压 Rated Voltage	4.8V DC
4. 额定电流 Rated Current	0.3Amp
5. 保持力矩 Holding Torque	44mNm Typ.(Two phase on/rated current)
6. 相电阻 Phase Resistance	16ohm±10%(20°C)
7. 相电感 Phase Inductance	8.5mH±20%(1kHz 1V rms)
8. 转子惯量 Rotor Inertia	4gcm ²
9. 电机重量 Motor Weight	60g
10. 绝缘等级 Insulation Class	B(130°C)

带轮规格 Pulley Specification

齿型 Profile	MXL
齿数 Number of Teeth	12
节距 Pitch	2.032
节圆 Pitch Diameter	Ø7.76
齿顶圆 Outside Diameter	Ø7.25 ^{+0.05} ₀
材料 Material	HPb59-1

铭牌 Label Detail

MOONS' STEPPING MOTOR
TYPE 14HK0405-02N
XXXXXXXX YY/MM/DD

Work Order 加工单号
Date Format 日期格式

Unit: mm
第一角画法
FIRST ANGLE METHOD
未注线性与角尺寸公差
Tolerances for linear and angular dimensions without individual tolerance indications
GB/T 1804-m eqv ISO 2768-1 : m
未注形状与位置尺寸公差
Geometrical tolerance for features without individual tolerance indications
GB/T 1184-K eqv ISO 2768-2 : K

批准 Approve	<i>[Signature]</i>	9.29
标准化 Standard	<i>[Signature]</i>	9.29
工艺 Technology	<i>[Signature]</i>	9.29
审核 Check	<i>[Signature]</i>	9.29
设计 Design	徐文彬	2016.09.29

MOONS' Hybrid Stepping Motor
Shanghai Moons' Electric Co., Ltd.
This document is released for information only. Its reproduction in whole or in part or its dissemination to third parties is prohibited. All trademarks and registered trademarks appearing on this document are the property of their respective owners.

REV.	版本记录 REVISION RECORD	DATE
A	原始版本 Original revision	2016.09.29

UNLESS OTHERWISE SPECIFIED	NAMES	SIGNATURE	DATE	Type: 14HK0405-02N	Rev.A	SCALE 1:1	Sheet 1 of 1
----------------------------	-------	-----------	------	--------------------	-------	-----------	--------------

偏离申请报告

Deviation Application Report

Shanghai Moons Electric Co. Ltd

客户型号 Customer P/N 121007743捷扬光电 Rev. Date 2016.09.29

MOONS'型号 MOONS' P/N 14HK0405-02N Rev. A

本报告列出和客户要求的偏离。请在客户备注栏中说明您是否有任何不接受的申请，没有说明将被认为是同意这些偏离被应用到将来的产品中。

This report lists the deviation from customer requirements. Please let us know if any of these deviation is unacceptable for you, otherwise it must be deemed to accept and agree us to adopt it in production.

编号 Item	描述 Description	客户要求 Customer Requirement	MOONS' 规范 MOONS' Specification	偏离原因 Deviation Reason
1	出轴直径	Φ4.762	Φ4	带轮更改为12齿MXL, 齿根圆太小, 出轴需要改小
2	线规标准	AWG28 UL1061	AWG28 UL1886	MOONS' 标准
3	相序VS线束颜色	A棕C橙B红D黄	A黑C橙B红D蓝	MOONS' 标准

设计 Design: 徐文彬2016.09.29 批准 Approve: 2016.9.29

客户备注 Customer Comments:

同意偏离/Approval for the Deviation

顾客签字 Customer Signature _____