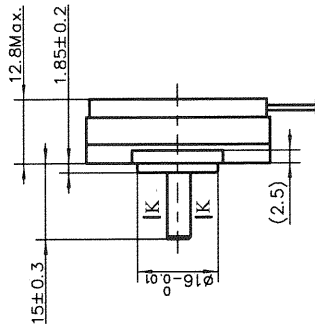
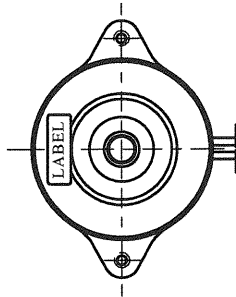
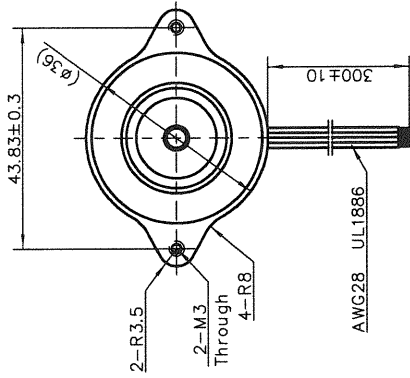


4611110011900



K-K(2:1)

φ5⁰_{-0.012}



规格 Specifications

1. 相数 Number of Phase	2
2. 步距角 Step Angle	0.9°
3. 额定电压 Rated Voltage	3.6V DC
4. 额定电流 Rated Current	0.3A
5. 保持力矩 Holding Torque	40mN.m Min. (Two phases on rated current)
6. 相电阻 Phase Resistance	12Ω±10% (20°C)
7. 相电感 Phase Inductance	8mH±20% (1kHz 1V rms)
8. 转子惯量 Rotor Inertia	4g.cm ²
9. 电机重量 Motor Weight	60g
10. 绝缘等级 Insulation Class	B(130°C)

铭牌 LABEL (4:1)

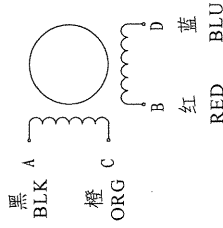
MOONS' STEPPING MOTOR
TYPE 14HK0402-117N
XXXXXXXX YY/MM/DD

Work Order
加工单号

Date Format
日期格式



接线图
Wiring Diagram



励磁顺序 vs. 旋转方向

Exciting Sequence vs. Direction of Rotation

STEP	A	B	C	D
1	+	+	-	-
2	-	+	+	-
3	-	-	+	+
4	+	-	-	+

CW ←
→ CCW

从安装面看为顺时针方向

Clockwise view from mounting side

REV.	原始版本 Original revision	版本记录 REVISION RECORD	DATE	UNLESS OTHERWISE SPECIFIED	NAMES	SIGNATURE	DATE	Rev. A	SCALE 1:1	Sheet 1 of 1
A	2013.08.13				杨广志		2013.08.13			
B										
C										
D										
E										
F										
G										

MOONS' Hybrid Stepping Motor
Shanghai Moons' Electric Co., Ltd.

This document is released for information only. Its reproduction in whole or in part or its dissemination to third parties is prohibited. All trademarks and registered trademarks appearing on this document are the property of their respective owners.

Type: 14HK0402-117N

批准 Approve
标准化 Standard
工艺 Technology
审核 Check
设计 Design

2013.08.13

Unit: mm
第一角画法
FIRST ANGLE METHOD
本标准符合GB/T 1804-2008
Tolerances for linear and angular dimensions without individual tolerance indications
本标准符合GB/T 1804-2008
Tolerances for features without individual tolerance indications

2013.08.13

2013.08.13