

DESCRIPTION

The MP86884 is a monolithic half-bridge with built-in internal power MOSFETs and gate drivers. It achieves 55A of continuous output current over a wide input supply range.

Integration of the driver and MOSFETS results in high efficiency due to optimal dead time control and parasitic inductance reduction.

The MP86884 is a Monolithic IC approach to drive up to 55A per phase. This very small 6mmx6mm TQFN device can operate from 100kHz to 1MHz.

This device works with tri-state output controllers. It also comes with a general-purpose current sense and temperature sense.

The MP86884 is ideal for server applications where efficiency and small size are a premium.

FEATURES

- Wide 4.5V to 14V Operating Input Range
- Simple Logic Interface
- 55A Output Current
- Accepts Tri-State PWM Signal
- Built-In Switch for bootstrap
- Current Sense
- Temperature Sense
- Current Limit Protection
- Used for Multi-Phase Operation
- Available in 6mm x 6mm TQFN Package
- ROHS6 Compliant

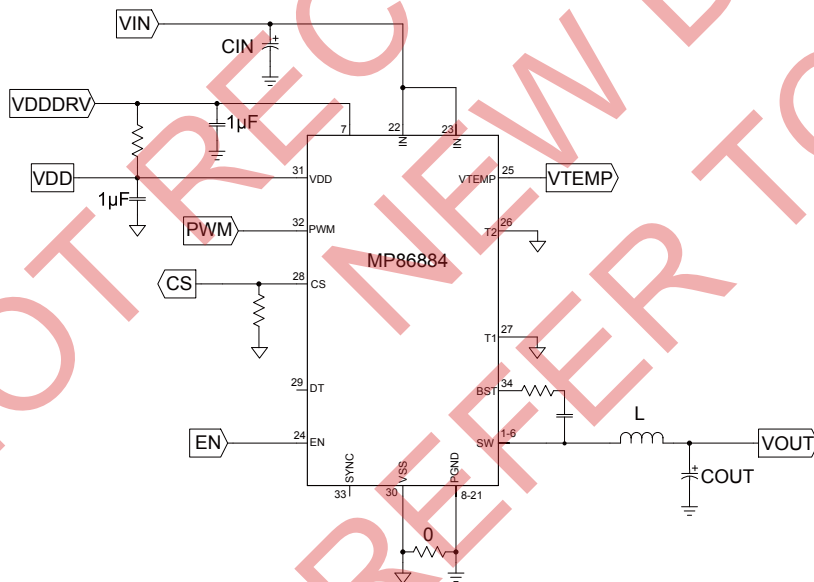
APPLICATIONS

- Server Core Voltage
- Graphic Card Core Regulators
- Power Modules

All MPS parts are lead-free and adhere to the RoHS directive. For MPS green status, please visit MPS website under Quality Assurance. "MPS" and "The Future of Analog IC Technology" are Registered Trademarks of Monolithic Power Systems, Inc.

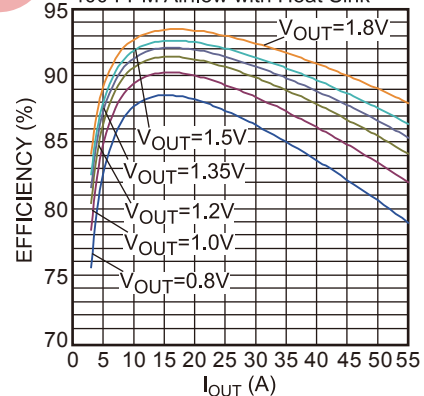
Intelli-Phase is Trademark of Monolithic Power Systems, Inc.

TYPICAL APPLICATION



System Efficiency vs. Output Current

L= FP1007R3-R21,
400 FPM Airflow with Heat Sink

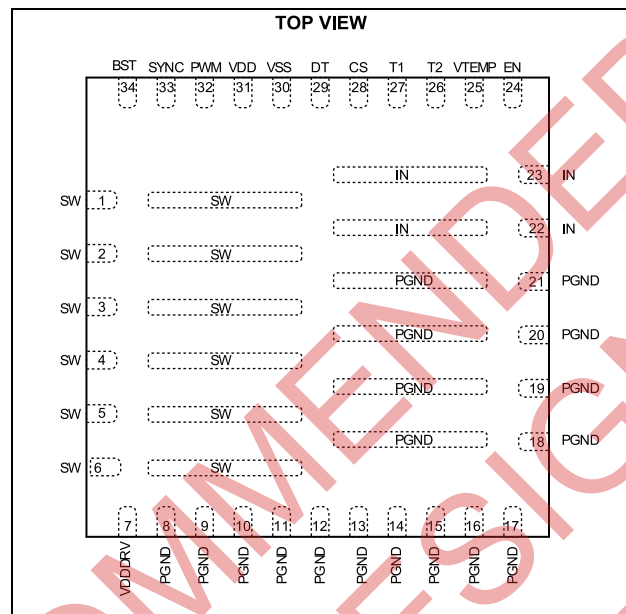


ORDERING INFORMATION

| Part Number* | Package | Top Marking |
|--------------|------------|-------------|
| MP86884DQKT | 6x6mm TQFN | MP86884 |

* For Tape & Reel, add suffix -Z (e.g. MP86884DQKT-Z)
 For RoHS Compliant Packaging, add suffix -LF (e.g. MP86884DQKT-LF-Z)

PACKAGE REFERENCE



ABSOLUTE MAXIMUM RATINGS ⁽¹⁾

| | |
|--|-----------------|
| Supply Voltage V_{IN} | 16V |
| V_{SW} (DC) | -1 V to 15V |
| V_{SW} (25ns) | -3V to 23V |
| V_{BST} | $V_{SW} + 6V$ |
| All Other Pins | -0.3V to +6V |
| Instantaneous Current | 100A |
| Continuous Power Dissipation $(T_A = +25^\circ C)^{(2)}$ | 4.3W |
| Junction Temperature | 150°C |
| Lead Temperature | 260°C |
| Storage Temperature | -65°C to +150°C |

Recommended Operating Conditions ⁽³⁾

| | |
|--|-----------------|
| Supply Voltage V_{IN} | 4.5V to 14V |
| Driver Voltage V_{DDDR} | 4.5V to 5.5V |
| Logic Voltage V_{DD} | 4.5V to 5.5V |
| Operating Junction Temp. (T_J) | -40°C to +125°C |

Thermal Resistance ⁽⁴⁾

| | θ_{JA} | θ_{JC} |
|------------------|---------------|---------------|
| 6x6mm TQFN | 29 | 8 |

Notes:

- Exceeding these ratings may damage the device.
- The maximum allowable power dissipation is a function of the maximum junction temperature T_J (MAX), the junction-to-ambient thermal resistance θ_{JA} , and the ambient temperature T_A . The maximum allowable continuous power dissipation at any ambient temperature is calculated by P_D (MAX) = $(T_J$ (MAX) - T_A) / θ_{JA} . Exceeding the maximum allowable power dissipation will cause excessive die temperature.
- The device is not guaranteed to function outside of its operating conditions.
- Measured on JESD51-7, 4-layer PCB.

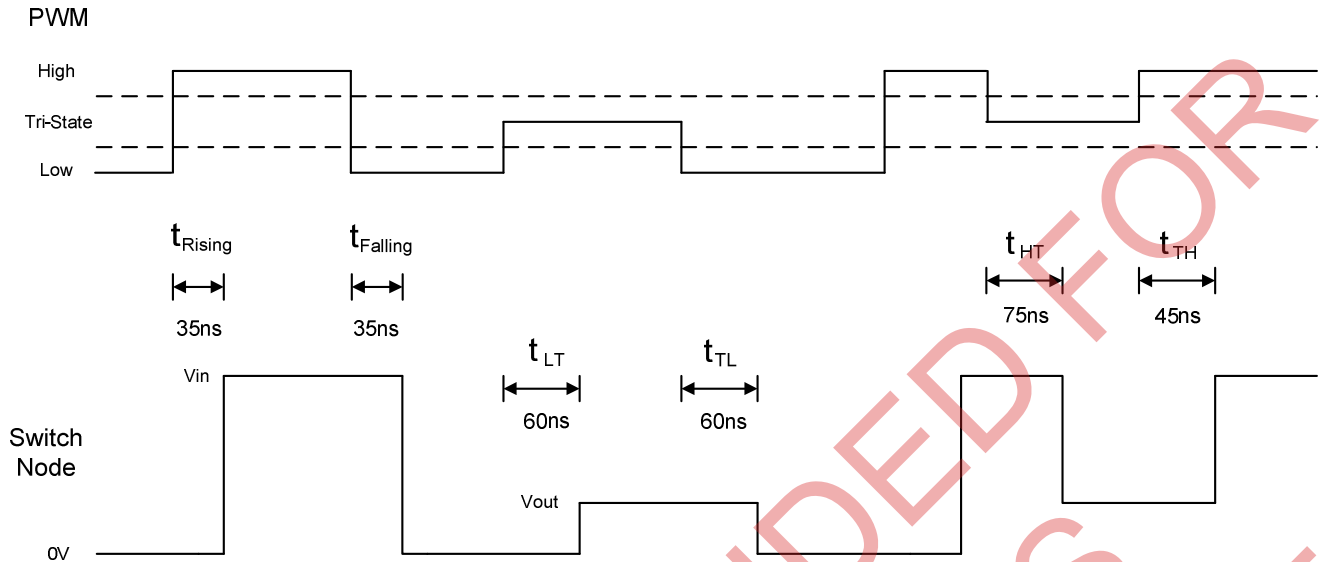
ELECTRICAL CHARACTERISTICS

$V_{IN} = 12V$, $V_{DDDRV} = V_{DD} = 5V$, $T_A = -40^{\circ}C$ to $125^{\circ}C$, unless otherwise noted.

| Parameters | Symbol | Condition | Min | Typ | Max | Units |
|---|-------------------------|---|------|---------|------|-----------------|
| I_{IN} Shutdown | $I_{IN (Off)}$ | $V_{DDDRV} = V_{DD} = 0V$ | | 55 | | μA |
| I_{IN} Standby | $I_{IN (Standby)}$ | $V_{DDDRV} = V_{DD} = 5V$, $PWM = EN = Low$ | | 60 | | μA |
| V_{IN} Under Voltage Lockout Threshold Rising | | | | 4 | 4.4 | V |
| V_{IN} Under Voltage Lockout Threshold Hysteresis | | | | 300 | | mV |
| I_{DDDRV} Quiescent Current | $I_{DDDRV (Quiescent)}$ | $PWM = Low$ | | | 500 | μA |
| I_{DDDRV} Shutdown Current | $I_{DDDRV Shutdown}$ | | | 250 | | μA |
| I_{DD} Quiescent Current | $I_{DD (Quiescent)}$ | $PWM = Low$ | | 2.4 | | mA |
| I_{DD} Shutdown Current | $I_{DD Shutdown}$ | | | 70 | | μA |
| VDD Voltage UVLO Rising | | | | 4 | 4.4 | V |
| VDD Voltage UVLO Hysteresis | | | | 300 | | mV |
| High Side Current Limit ⁽⁵⁾ | I_{LIM} | | | 80 | | A |
| Low Side Current Limit ⁽⁵⁾ | | | | -30 | | A |
| EN Input Low Voltage | | | | | 0.4 | V |
| EN Input High Voltage | | | 2 | | | V |
| Dead-Time Rising ⁽⁵⁾ | | | | 3 | | ns |
| Dead-Time Falling ⁽⁵⁾ | | | | 8 | | ns |
| SYNC Current | I_{SYNC} | $V_{SYNC} = 0V$ | | 13 | | μA |
| SYNC Logic High Voltage | | | 2 | | | V |
| SYNC Logic Low Voltage | | | | | 0.4 | V |
| PWM High to SW Rising Delay ⁽⁵⁾ | | | | 35 | | ns |
| PWM Low to SW Falling Delay ⁽⁵⁾ | | | | 35 | | ns |
| PWM Tristate to SW Hi-Z Delay ⁽⁵⁾ | t_{LT} | $I_{OUT} = 10A$ | | 60 | | ns |
| | t_{TL} | $I_{OUT} = 10A$ | | 60 | | |
| | t_{HT} | $I_{OUT} = 10A$ | | 75 | | |
| | t_{TH} | $I_{OUT} = 10A$ | | 45 | | |
| Minimum PWM Pulse Width ⁽⁵⁾ | | | | 30 | | ns |
| Current Sense Accuracy ⁽⁵⁾ | | $I_{OUT} = 30A$ | | ± 4 | | % |
| Current Sense Gain | | | | 10 | | $\mu A/A$ |
| Temperature Sense Gain ⁽⁶⁾ | | | | 10 | | mV/ $^{\circ}C$ |
| Temperature Sense Offset ⁽⁶⁾ | | | | -100 | | mV |
| PWM Input Current | I_{PWM} | $V_{PWM} = 5V$, $V_{EN} = 5V$ | | 105 | | μA |
| | | $V_{PWM} = 0V$, $V_{EN} = 5V$ | | -105 | | μA |
| PWM Logic High Voltage | | | 4.00 | | | V |
| PWM Tristate Region ⁽⁵⁾ | | | 1.45 | | 3.20 | V |
| PWM Logic Low Voltage | | | | | 0.50 | V |

Notes:

- 5) Guaranteed by design.
- 6) See "Junction Temperature Sense" section for details.

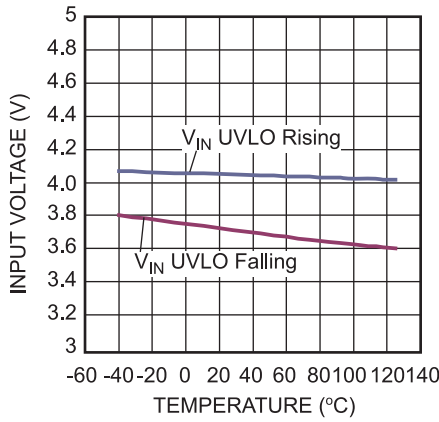


PIN FUNCTIONS

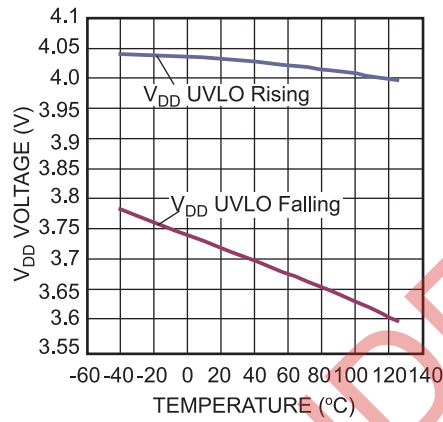
| Pin # | Name | Description |
|----------------------|--------|---|
| 1-6 Exposed Pad | SW | Switch Output. |
| 7 | VDDDRV | Driver Voltage. Connect to 5V supply and decouple with 1 μ F to 4.7 μ F ceramic capacitor. |
| 8-21 Exposed Pad | PGND | Power Ground. |
| 22-23 Exposed Pad | IN | Supply Voltage. Place C _{IN} close to the device to prevent large voltage spikes at the input. |
| 24 | EN | Enable. Pull low to place SW in a high impedance state. |
| 25 | VTEMP | Single pin temperature sense output. |
| 26 | T2 | Test pin. Connect to ground. |
| 27 | T1 | Test pin. Connect to ground. |
| 28 | CS | Current Sense Output. Requires an external resistor. |
| 29 | DT | Dead Time. It is recommended to float this pin to use default dead time setting. |
| 30 | VSS | Signal Ground. |
| 31 | VDD | Internal Circuitry Voltage. Connect to VDDDRV thru 2.2 Ω resistor and decouple with 1 μ F capacitor to VSS. Connect VSS and PGND at this point. |
| 32 | PWM | Pulse Width Modulation. Leave PWM floating or drive to mid-state to put SW in high impedance state. |
| 33 | SYNC | Synchronous Low Switch. Leave open or pull high to enable. Pull low to enter diode emulation mode. |
| 34 | BST | Bootstrap. Requires a 0.22 μ F to 1 μ F capacitor to drive the power switch's gate above the supply voltage. Connects between SW and BST pins to form a floating supply across the power switch driver. |

TYPICAL CHARACTERISTICS

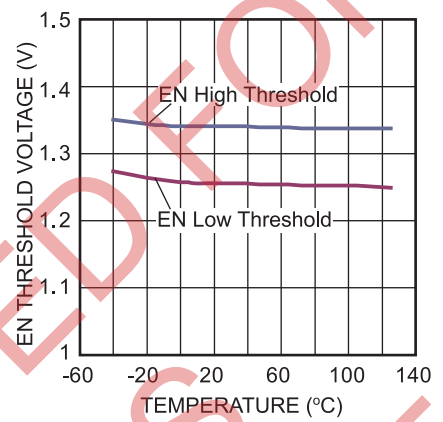
V_{IN} UVLO Threshold vs. Temperature



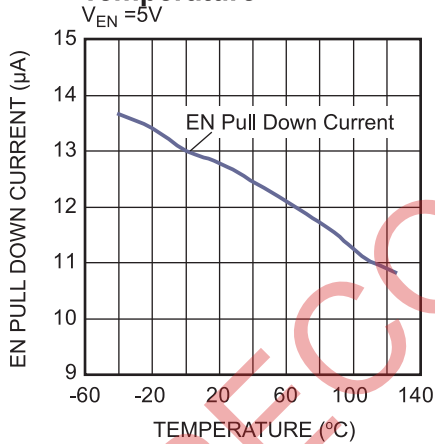
V_{DD} UVLO Threshold vs. Temperature



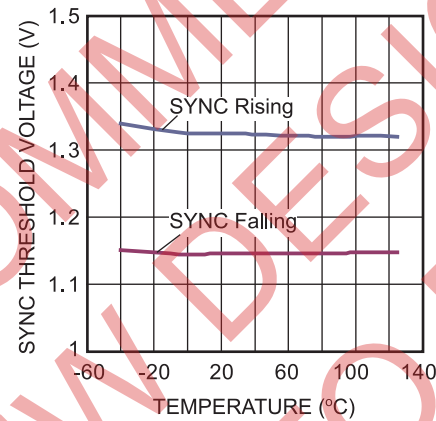
EN Threshold vs. Temperature



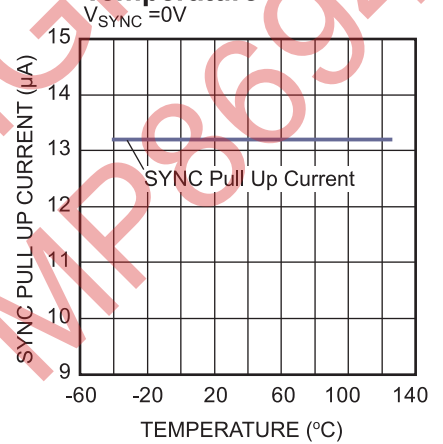
EN Pull Down Current vs. Temperature



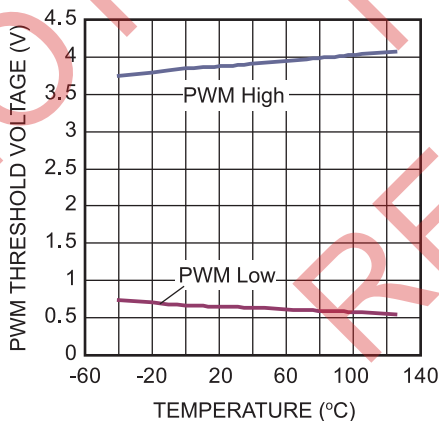
SYNC Threshold vs. Temperature



SYNC Pull Up Current vs. Temperature

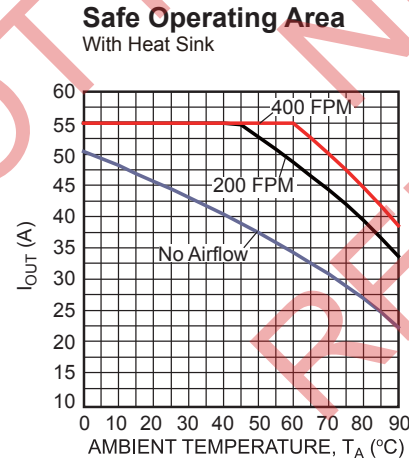
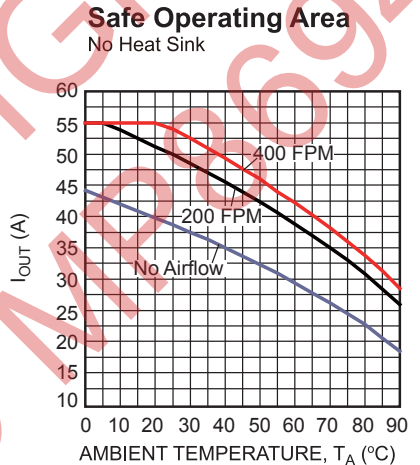
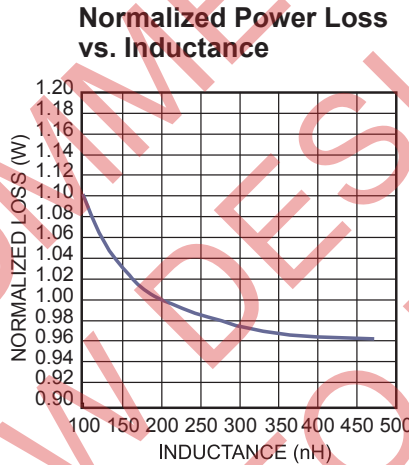
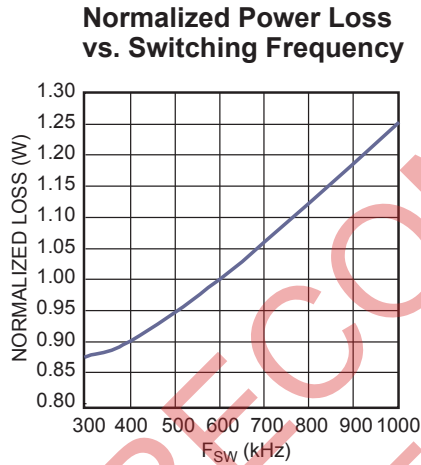
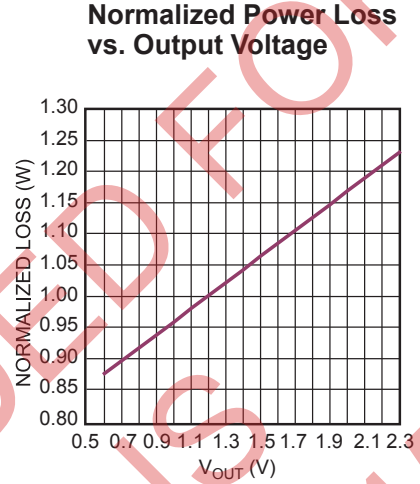
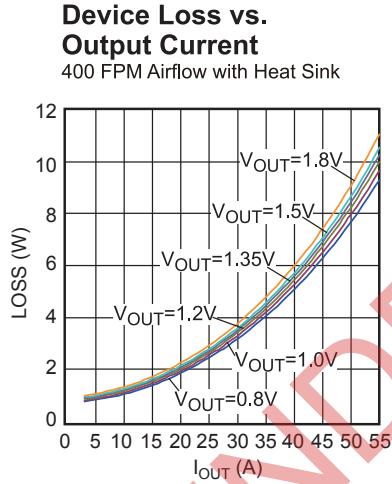
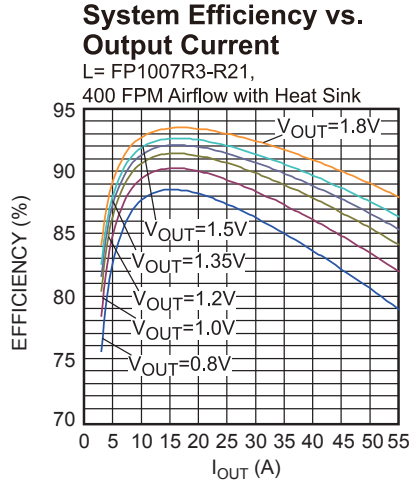


PWM Threshold vs. Temperature



TYPICAL PERFORMANCE CHARACTERISTICS

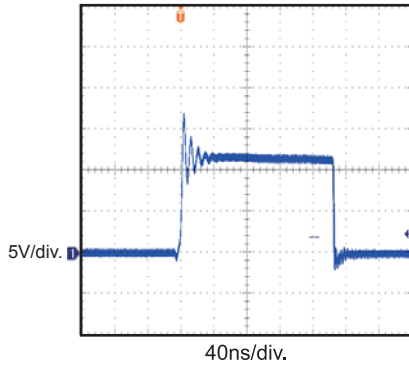
$V_{IN}=12V$, $V_{OUT}=1.2V$, $V_{DDDRV}=V_{DD}=5V$, $L=200nH$, $F_{SW}=600kHz$, $T_A=25^{\circ}C$, no droop, unless otherwise noted.



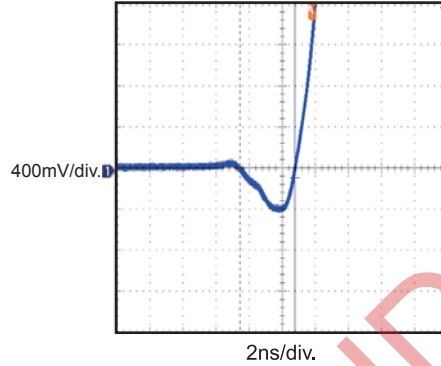
TYPICAL PERFORMANCE CHARACTERISTICS *(continued)*

$V_{IN}=12V$, $V_{OUT}=1.2V$, $V_{DDDRV}=V_{DD}=5V$, $L=200nH$, $F_{SW}=600kHz$, $T_A=25^{\circ}C$, no droop, unless otherwise noted.

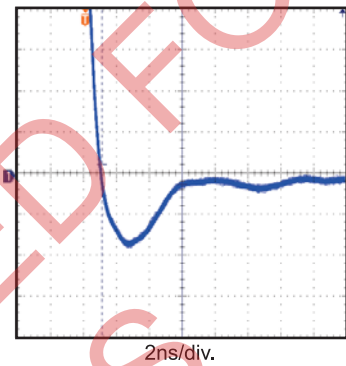
SW Output Waveform



SW Rising Edge Dead Time



SW Falling Edge Dead Time



BLOCK DIAGRAM

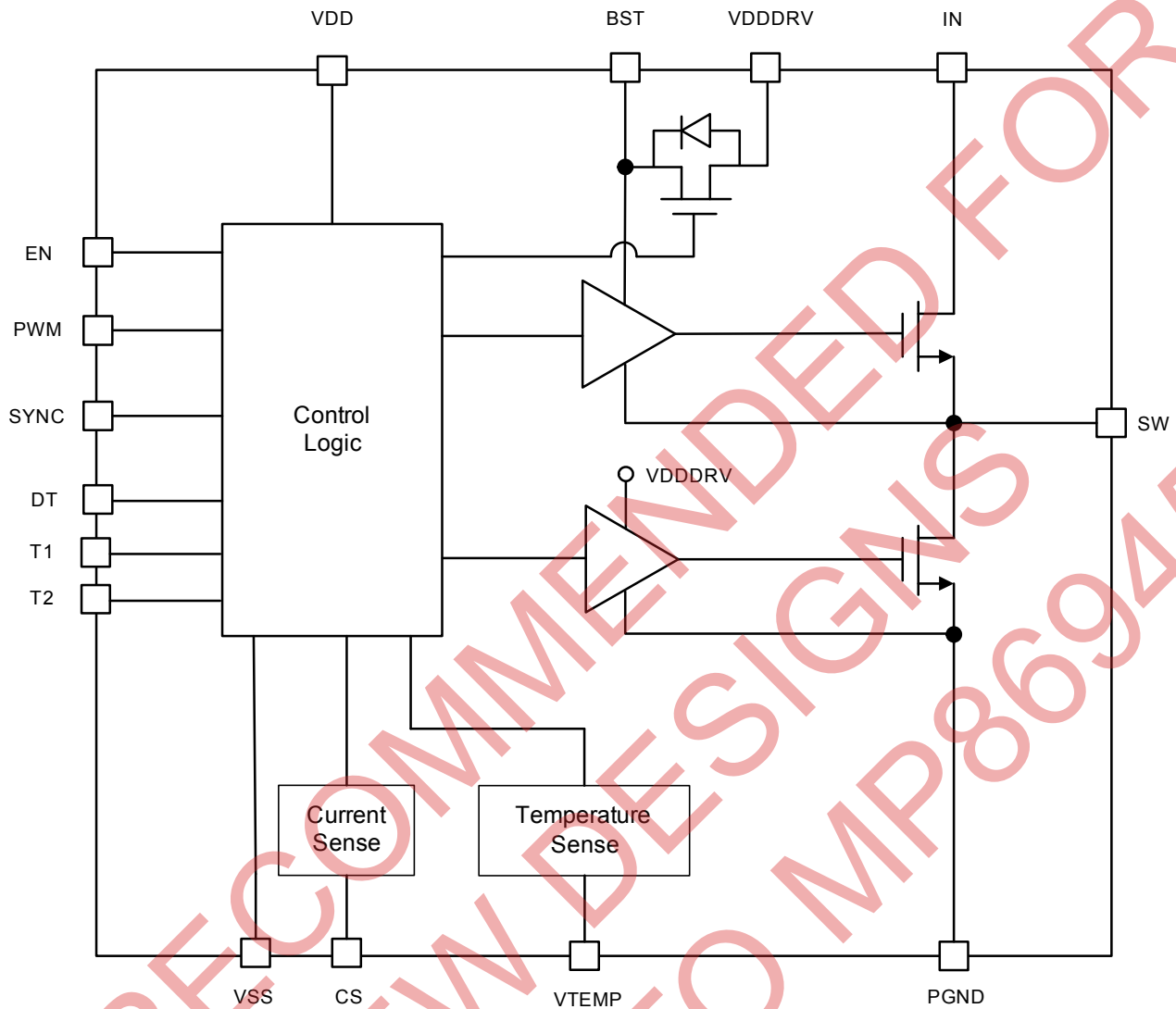


Figure 1: Functional Block Diagram

OPERATION

The MP86884 is a 55A monolithic half-bridge driver with MOSFETs ideally suited for multi-phase buck regulators.

When the EN transitions from low to high and both V_{DD} and V_{BST} signals are sufficiently high, operation begins. It is recommended to use EN pin to startup and shutdown the Intelli-Phase.

To put SW node in a high impedance state, let PWM pin float or drive PWM pin to mid-state. Drive the SYNC pin low to enter diode emulation mode. In diode emulation mode, the LSFET is off after inductor current crossed zero current.

When HSFET over current is detected, the part will latch off. Recycling V_{in}/V_{dd} or toggling EN will release the latch and restart the device. When the LSFET detects a -30A current, the part will turn off the LSFET for that cycle.

APPLICATION INFORMATION

Current Sense

The CS pin is a current source that generates 10µA per 1A of LSFET current. It will hold the valley current when LS turned off. Place a resistor between CS pin and ground to generate a voltage proportional to the output current. A capacitor is optional for noise immunity.

Intelli-Phase’s current sense output can be used by controller to accurately monitor the output current. The cycle-by-cycle current information

from CS pin can be used for phase current balancing, over current protection and active voltage positioning (output voltage droop). In multi-phase operation, the CS pins of every Intelli-Phase can be summed through resistors and connected to the current sense amplifier of the controller. This circuitry is shown in Figure 2. The reference voltage cannot be higher than 3.2V.

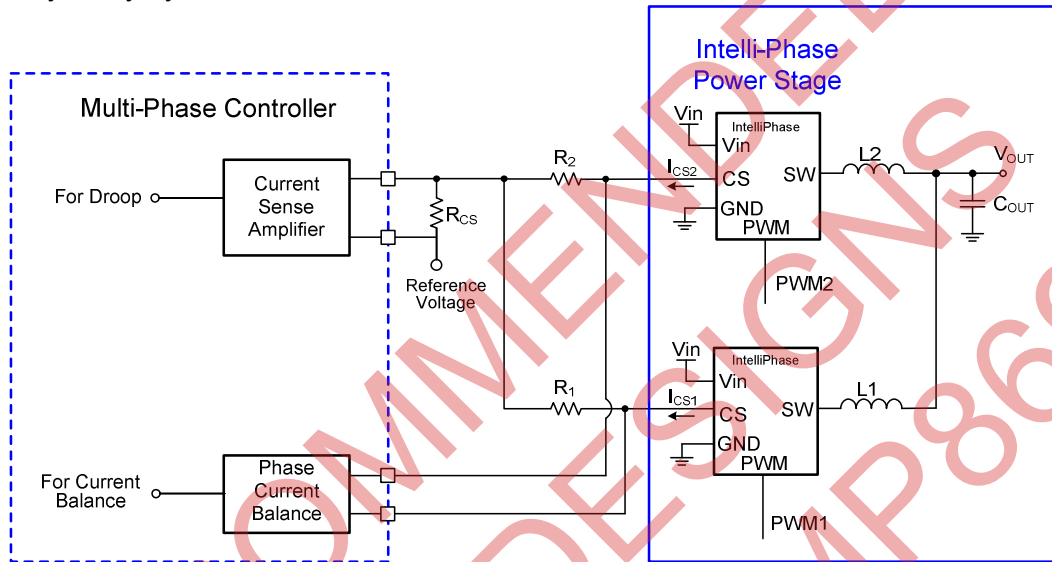


Figure 2: Multi-Phase Current Sense Utilization

Junction Temperature Sense

The VTEMP pin is a voltage output proportional to the junction temperature. The VTEMP pin output voltage is 10mV/°C with a 100mV offset.

$$VTEMP = \text{Junction Temperature} \times 10\text{mV}/^\circ\text{C} - 100\text{mV}.$$

For example, if the junction temperature is 80°C, then the VTEMP voltage is 700mV. Be sure to

measure this voltage between VTEMP and VSS pins for the most accurate reading. In multi-phase operation, the VTEMP pins of every Intelli-Phase can be connected to the temperature monitor pin of the controller. A sample circuitry is shown in Figure 3. VTEMP signals can also be used for system thermal protection as shown in Figure 4.

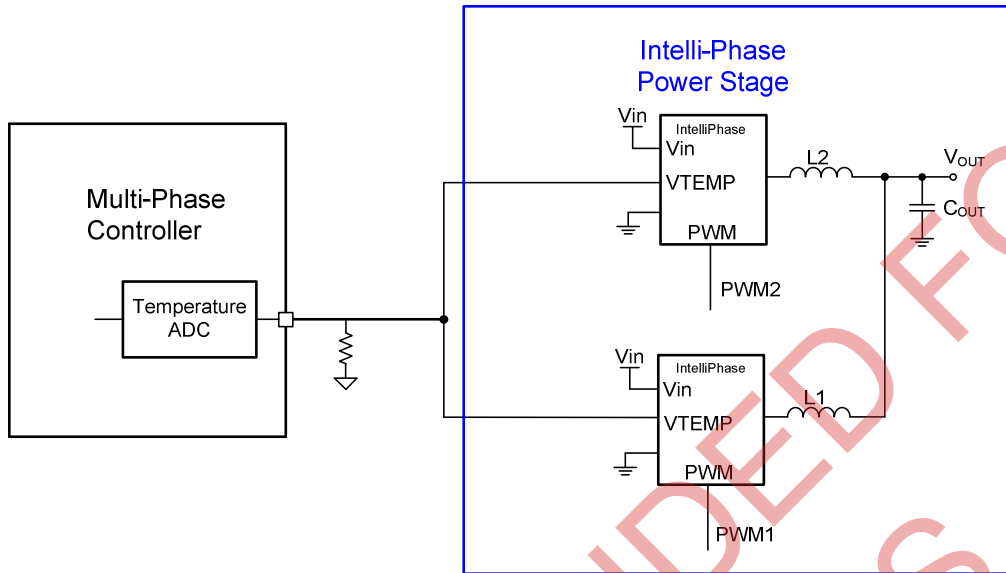


Figure 3: Multi-Phase Temperature Sense Utilization

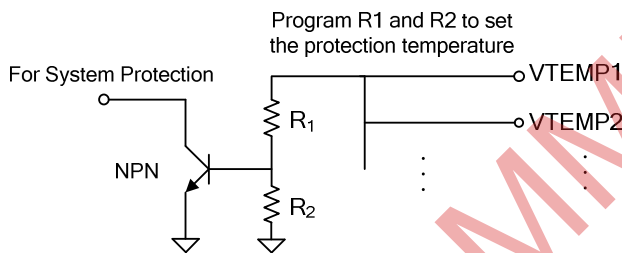


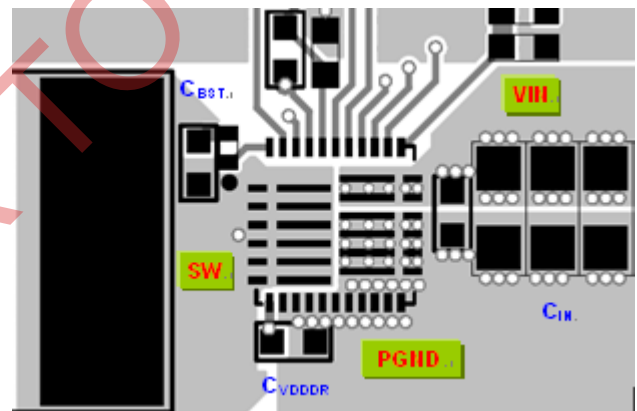
Figure 4: System Thermal Protection

PCB Layout Guide Line

PCB layout plays an important role to achieve stable operation. For optimal performance, follow these guidelines.

1. Always place some input bypass ceramic capacitors next to the device and on the same layer as the device. Do not put all of the input bypass capacitors on the back side of the device. Use as many via and input voltage planes as possible to reduce switching spikes. Place the BST capacitor and the VDDDRV capacitor as close to the device as possible.
2. Place the VDD decoupling capacitor close to the device. Connect VSS and PGND at the point of VDD capacitor's ground connection.

3. It is recommended to use 0.22µF to 1µF bootstrap capacitor and 3.3Ω bootstrap resistance. Do not use capacitance values below 100nF for the BST capacitor.
4. Connect IN, SW and PGND to large copper areas and use via to cool the chip to improve thermal performance and long-term reliability.
5. Keep the path of switching current short and minimize the loop area formed by the input capacitor. Keep the connection between the SW pin and the input power ground as short and wide as possible.



TYPICAL APPLICATION CIRCUITS

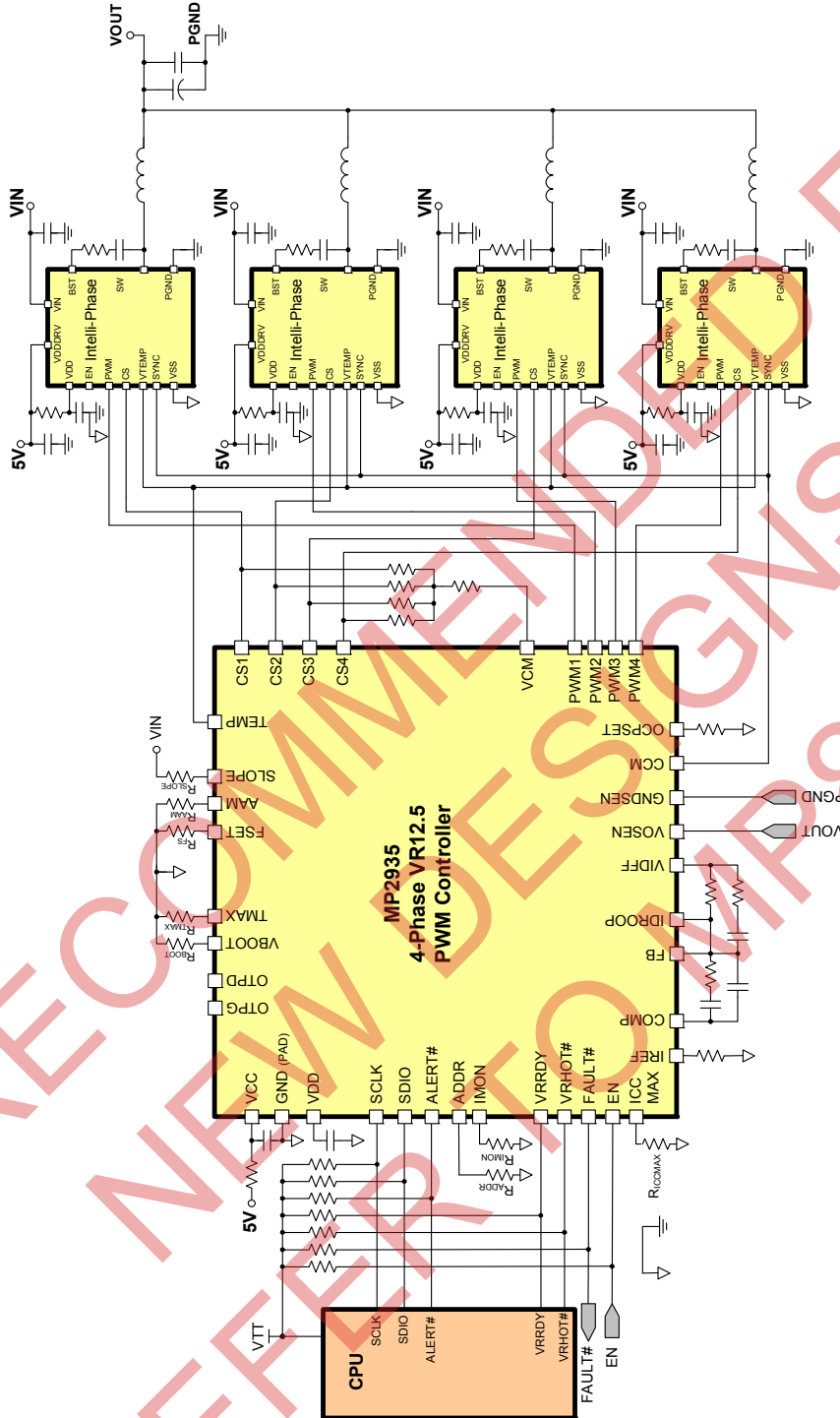
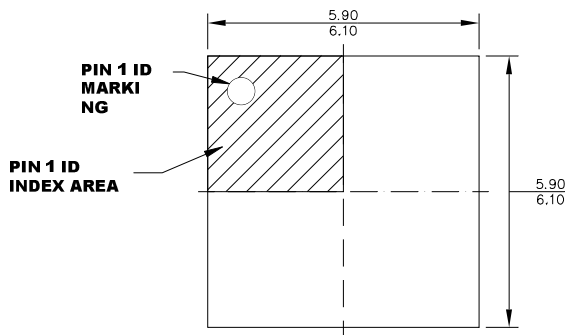


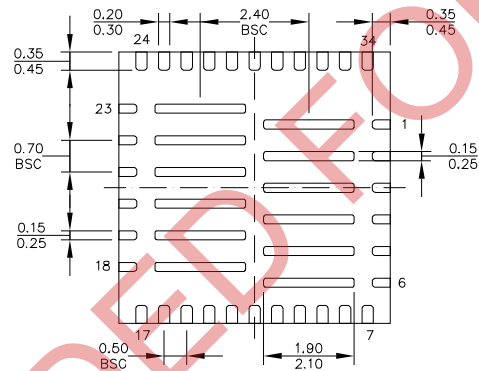
Figure 5: 4-Phase Intelli-Phase with MP2935 VR12.5 Controller

PACKAGE INFORMATION

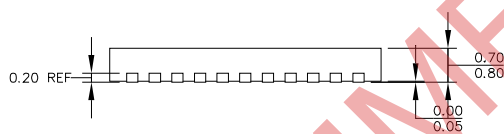
TQFN (6mm x 6mm)



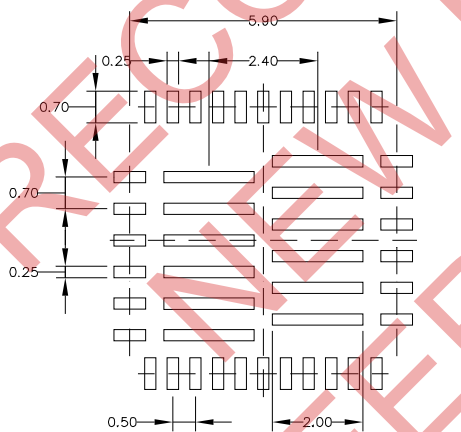
TOP VIEW



BOTTOM VIEW



SIDE VIEW



RECOMMENDED LAND PATTERN

NOTE:

- 1) ALL DIMENSIONS ARE IN MILLIMETERS.
- 2) EXPOSED PADDLE SIZE DOES NOT INCLUDE MOLD FLASH.
- 3) LEAD COPLANARITY SHALL BE 0.10 MILLIMETERS MAX.
- 4) JEDEC REFERENCE IS MO-220.
- 5) DRAWING IS NOT TO SCALE.

NOTICE: The information in this document is subject to change without notice. Please contact MPS for current specifications. Users should warrant and guarantee that third party Intellectual Property rights are not infringed upon when integrating MPS products into any application. MPS will not assume any legal responsibility for any said applications.