

NOTES :

1. MATERIAL :

HOUSING : HIGH TEMPERATURE NYLON ,GLASS FIBER, UL94-V0 , COLOR: BLACK  
 TERMINAL : PHOSPHOR BRONZE  
 METAL SHELL : COPPER ALLOY

2. PLATING :

TERMINAL :

CONTACT AREA : (a) GOLD FLASH,  
 (b) GL0D (Au), THICKNESS = 30 MICROINCH/0.76 MICROMETER  
 SOLDER TAIL : PURE TIN(Sn),

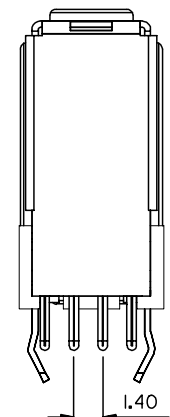
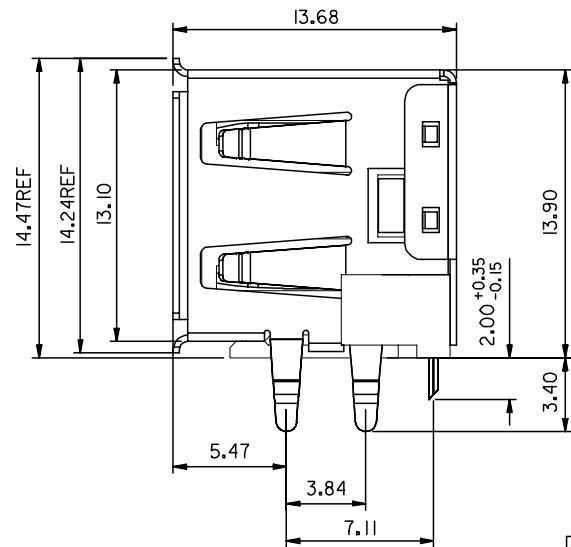
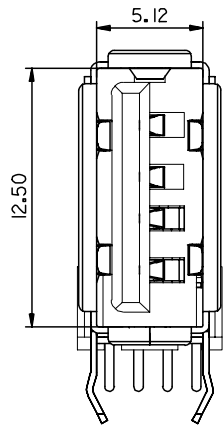
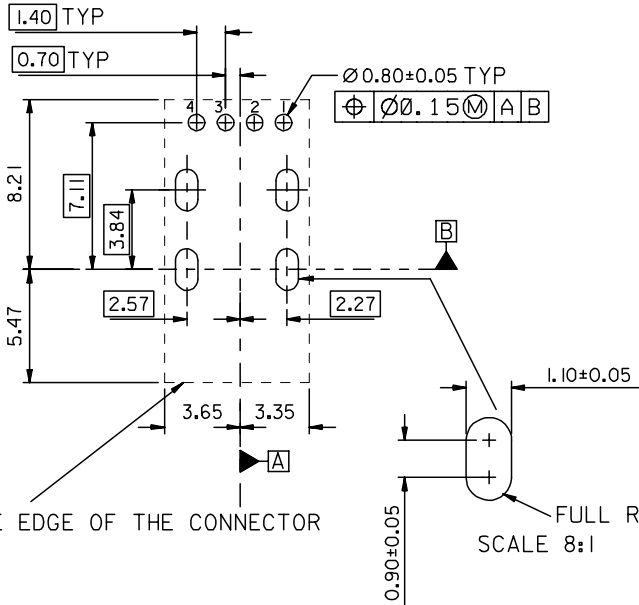
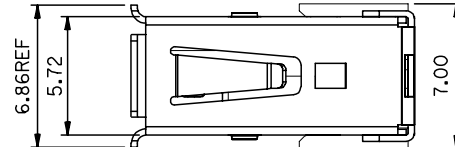
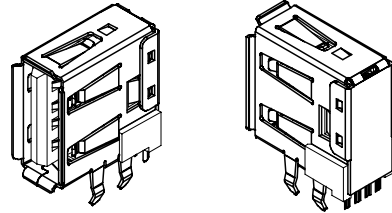
THICKNESS= 75 MICROINCH /1.9 MICROMETER  
 UNDER PLATE : NICKEL (Ni), THICKNESS= 50 MICROINCH/1.27 MICROMETER  
 METAL SHELL :

PURE TIN(Sn), THICKNESS=50-100MICROINCH /1.27-2.54MICROMETER.  
 UNDER PLATE : NICKEL (Ni), THICKNESS= 50 MICROINCH/1.27 MICROMETER

3 RECOMMENDED PCB THICKNESS : 1.20±0.05mm & 1.60±0.05 mm

4 PRODUCT SPECIFICATION : REFER TO PS-89485

5 PACKAGING SPECIFICATION : REFER TO PK-67329-001



THE EDGE OF THE CONNECTOR

FULL R TYPE  
 SCALE 8:1

PART NUMBER LEGEND:

P/N	CONTACT PLATING
47500-0000	GOLD FLASH
47500-0001	0.76 MICROMETER/30 MICROINCH GOLD

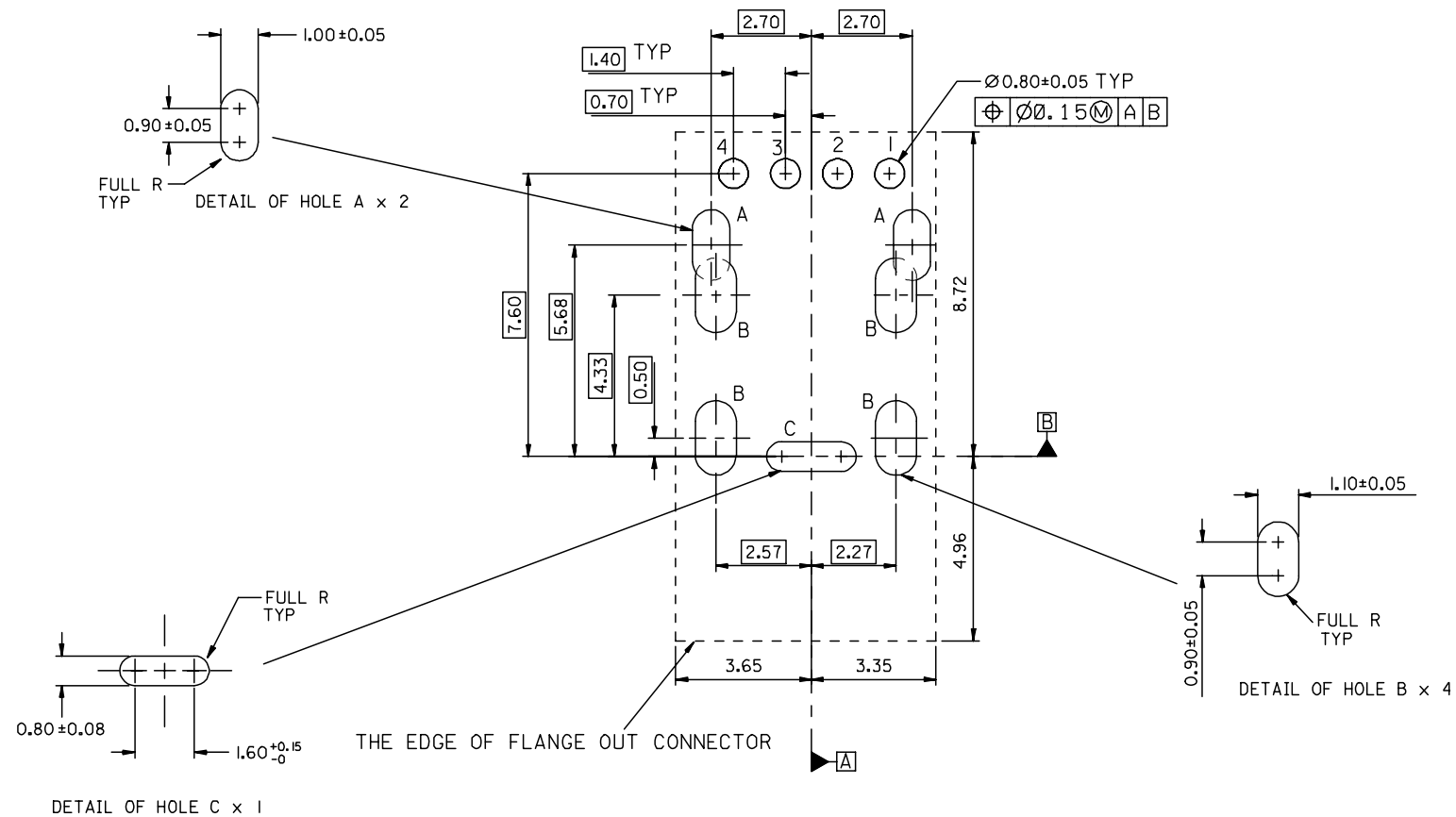
NEW RELEASE	EC NO.	DRW: DAVID HU 2004/11/13	CHK: HARVEY 2004/11/13	APPR:
A	REV			

QUALITY SYMBOLS	MAJOR = 0	CRITICAL = 0
DESCRIPTION		

GENERAL TOLERANCES: (UNLESS SPECIFIED)	SCALE 4:1	DESIGN UNITS <input checked="" type="checkbox"/> mm <input type="checkbox"/> INCH	THIRD ANGLE PROJECTION <input type="checkbox"/> THIRD ANGLE <input checked="" type="checkbox"/> FIRST ANGLE
4 PLACES ±0.1	mm	INCH	
3 PLACES ±0.15	mm	INCH	
2 PLACES ±0.25	mm	INCH	
1 PLACE ±0.25	mm	INCH	
ANGULAR: ±3°			
DRAFT WHERE APPLICABLE MUST REMAIN WITHIN DIMENSIONS			

DRAWN BY & DATE DAVID HU 2004/11/13	CHECKED BY & DATE HARVEY 2004/11/13	APPROVED BY & DATE VINCENT 2004/11/13
CAD FILENAME SD4750002S01	MATERIAL NO. 47500-000*	DRAWING NO. SD-47500-002

DIMENSIONS: <input type="checkbox"/> mm <input type="checkbox"/> INCH <input checked="" type="checkbox"/> mm ONLY		SHT I A	
TITLE: USB"A" UP-RIGHT CONNECTOR FLANGE OUT TYPE (LEAD-FREE)		REVISE ON CAD ONLY	
MOLEX INCORPORATED		SHEET NO. 1 OF 1	
THIS DRAWING CONTAINS INFORMATION THAT IS PROPRIETARY TO MOLEX INCORPORATED AND SHOULD NOT BE USED WITHOUT WRITTEN PERMISSION.		SIZE A3	



NEW RELEASE EC NO: SH2005-0144 DRWN: DAVID HU 2004/11/13 CHKD: HARVEY 2004/12/07 APPR: YIYAP 2004/12/07	QUALITY SYMBOLS ▽=0 ▽C=0	GENERAL TOLERANCES (UNLESS SPECIFIED)		DIMENSION STYLE MM ONLY	SCALE 8:1	DESIGN UNITS METRIC	THIRD ANGLE PROJECTION		
		4 PLACES	± ---	± ---	DRAWN BY DAVID HU	DATE 2004/11/13	TITLE RECOMMENDED PCB LAYOUT FOR FLANGE OUT & STANDARD USB*A* UP RIGHT CONNECTOR (LEAD-FREE)		
		3 PLACES	± ---	±	CHECKED BY HARVEY	DATE 2004/11/29	MOLEX INCORPORATED		
		2 PLACES	± 0.25	± .010	APPROVED BY VINCENT	DATE 2004/11/29	DOCUMENT NO. SD-47500-003	SHEET NO. 1 OF 1	
A	REV	DRAFT WHERE APPLICABLE MUST REMAIN WITHIN DIMENSIONS		MATERIAL NO. 47500-000*	THIS DRAWING CONTAINS INFORMATION THAT IS PROPRIETARY TO MOLEX INCORPORATED AND SHOULD NOT BE USED WITHOUT WRITTEN PERMISSION				