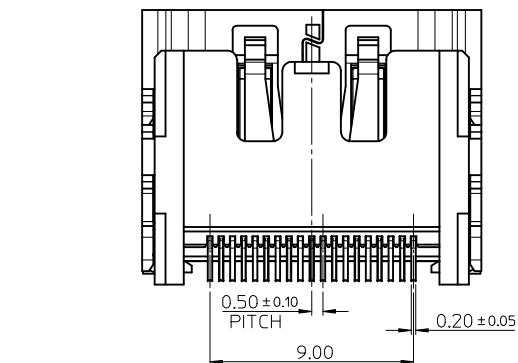
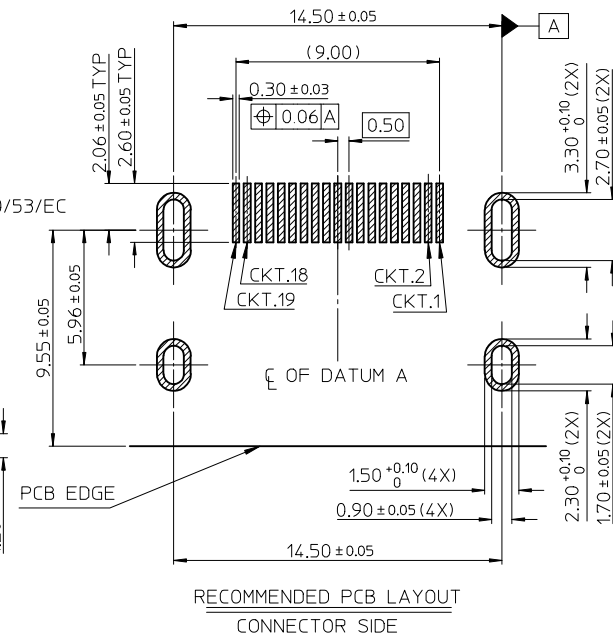
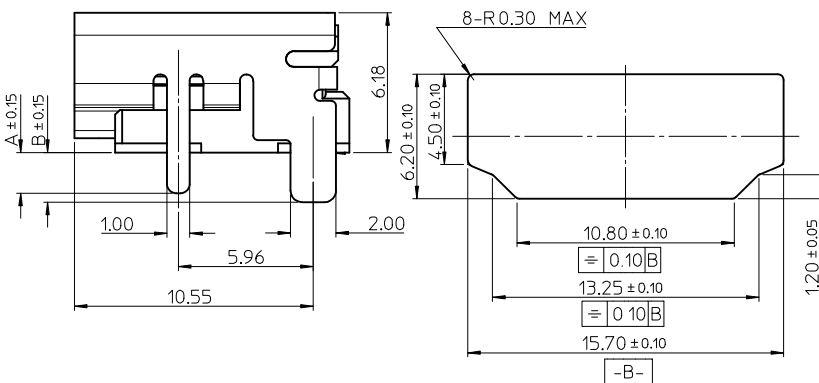
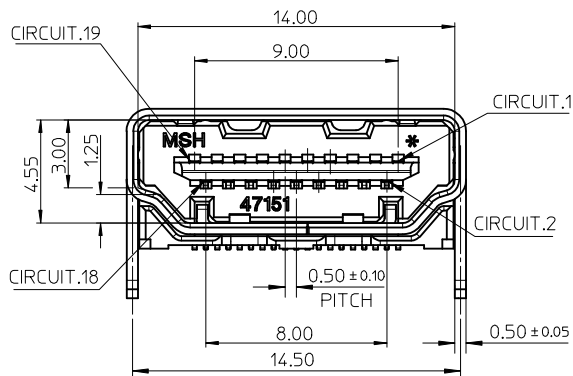
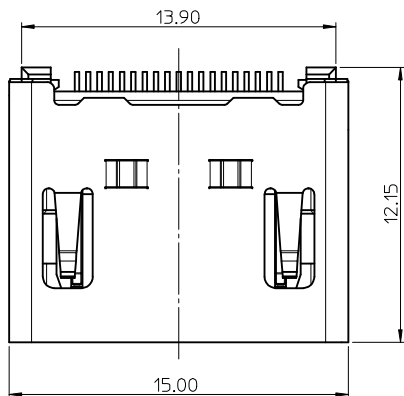
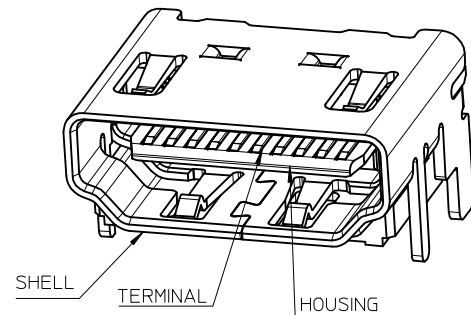


10 9 8 7 6 5 4 3 2 1

NOTES:

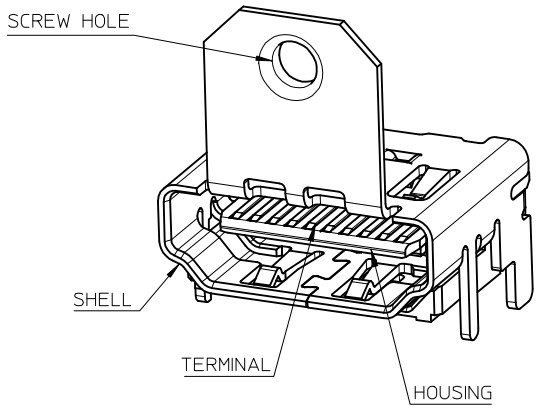
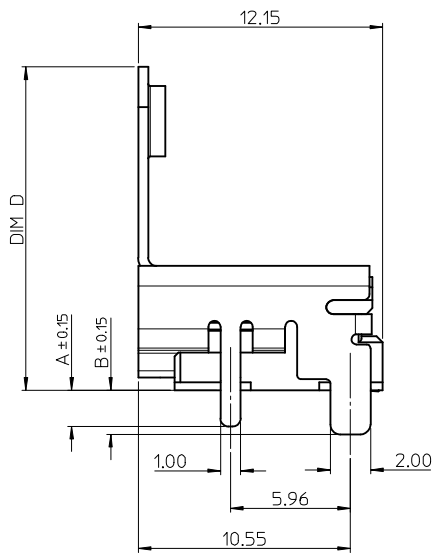
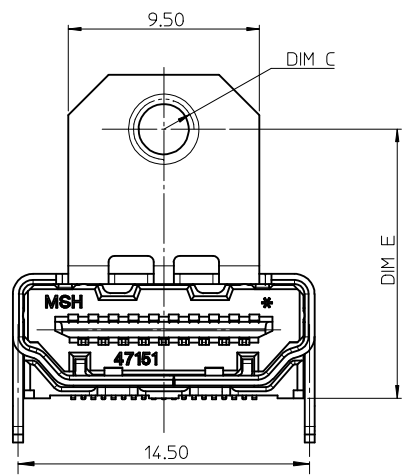
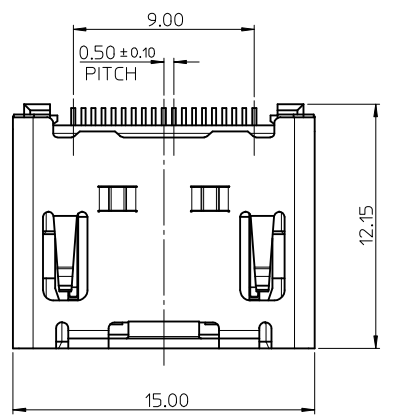
1. MATERIAL:
HOUSING: THERMOPLASTIC . COLOR: SEE TABLE.
SHELL: COPPER ALLOY.
TERMINAL: COPPER ALLOY.
2. PLATING:
TERMINAL:
CONTACT AREA: (1) 0.76 MICROMETER MIN. GOLD PLATING.
(2) 0.25 MICROMETER MIN. GOLD PLATING.
(3) GOLD FLASH.
(4) 0.375 MICROMETER MIN. GOLD PLATING.
SOLDER AREA: 1 MICROMETER MIN. TIN-BISMUTH ALLOY PLATED.
UNDER PLATE: 1.27 MICROMETER MIN. NICKEL.
SHELL: (a) 1.27 MICROMETER MIN. SOLDERABLE NICKEL PLATE OVERALL.
(b) GOLD FLASH PLATING OVER 1.27 MICROMETER MIN. NICKEL PLATING OVERALL.
3. COPLANARITY IS 0.1MM MAX.
4. PRODUCT SPECIFICATION REFER TO PS-47152-001.
5. PACKAGE SPECIFICATION FOR WITHOUT FLANGE REFER TO PK-47151-001.
6. PRODUCT COMPLIANT TO RoHS DEIRECTIVE 2002/95/EC AND ELV DIRECTIVE 2000/53/EC



RECOMMENDED PANEL CUT OUT DIMENSION

REVISED EC NO: DRWN: CWTANG CHKD: APPR:	DESCRIPTION REV	QUALITY SYMBOLS = 0 = 0	GENERAL TOLERANCES (UNLESS SPECIFIED)		DIMENSION STYLE MM ONLY	SCALE 5:1	DESIGN UNITS METRIC	THIRD ANGLE PROJECTION
			mm	INCH	DRAWN BY RZHANG	DATE 2004/07/20	TITLE 10 HDMI RIGHT ANGLE HEADER ASSEMBLY(19 PIN) LEAD FREE	
			4 PLACES ± --- ± ---	3 PLACES ± --- ± ---	CHECKED BY GRMA	DATE 2004/07/20	MOLEX INCORPORATED	
			2 PLACES ± 0.25 ± ---	1 PLACE ± --- ± ---	APPROVED BY YTYAP	DATE 2004/07/20	DOCUMENT NO. SD-47151-001	
			ANGULAR ± 3 °	DRAFT WHERE APPLICABLE MUST REMAIN WITHIN DIMENSIONS	SIZE A3	THIS DRAWING CONTAINS INFORMATION THAT IS PROPRIETARY TO MOLEX INCORPORATED AND SHOULD NOT BE USED WITHOUT WRITTEN PERMISSION		
						SHEET NO. 1 OF 7		

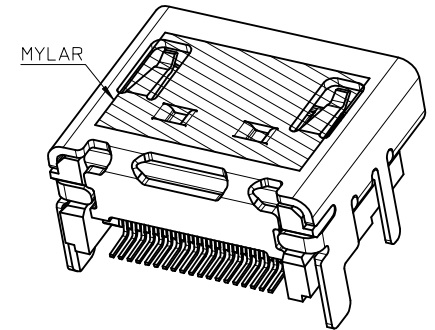
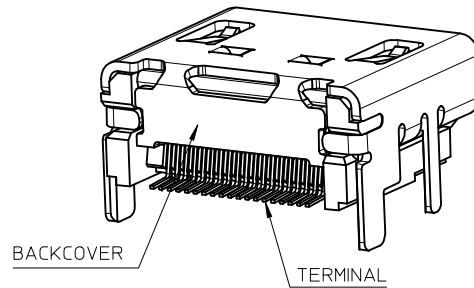
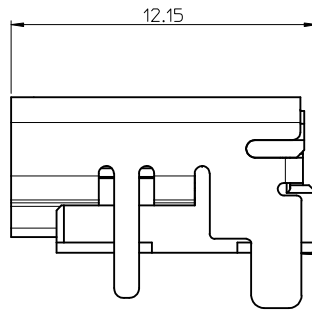
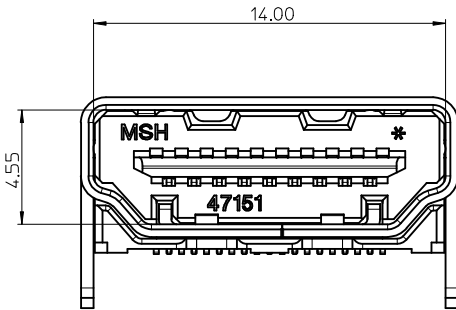
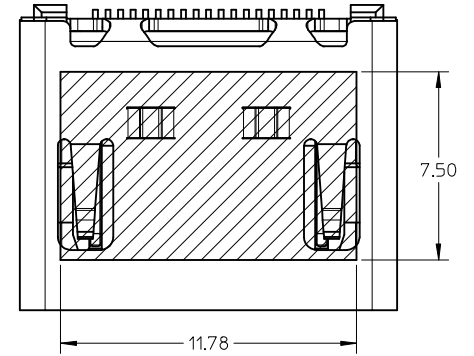
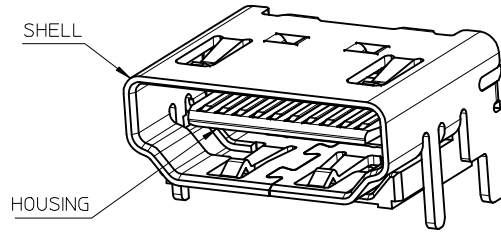
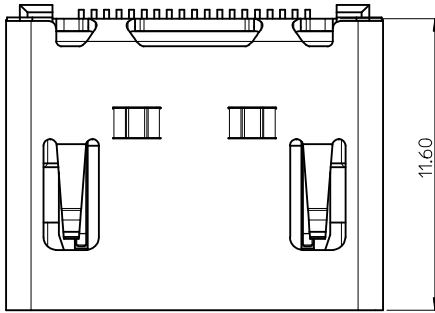
9 8 7 6 5 4 3 2 1



NOTES:
 1. THE UNSPECIFIED DIMENSIONS REFER TO SHEET 1.
 2. PACKAGE SPECIFICATION FOR WITH FLANGE REFER TO PK-47151-002.

REVISED EC NO: K DRWN: CWTANG CHKD: CHKD: APPR:	2009/01/23 DESCRIPTION	QUALITY SYMBOLS ▽=0 ◻=0		GENERAL TOLERANCES (UNLESS SPECIFIED)		DIMENSION STYLE MM ONLY		SCALE 5:1		DESIGN UNITS METRIC		THIRD ANGLE PROJECTION	
		4 PLACES ± --- ± --- 3 PLACES ± --- ± --- 2 PLACES ± 0.25 ± --- 1 PLACE ± --- ± ---		mm INCH		DRAWN BY RZHANG DATE 2004/07/20		TITLE 1.0 HDMI RIGHT ANGLE HEADER ASSEMBLY(19 PIN) LEAD FREE		MOLEX INCORPORATED SD-47151-001			
		ANGULAR ± 3 °		DRAFT WHERE APPLICABLE MUST REMAIN WITHIN DIMENSIONS		CHECKED BY GRMA DATE 2004/07/20		APPROVED BY YTYAP DATE 2004/07/20					
		SEE SHEET 6		SIZE A3		THIS DRAWING CONTAINS INFORMATION THAT IS PROPRIETARY TO MOLEX INCORPORATED AND SHOULD NOT BE USED WITHOUT WRITTEN PERMISSION							

WITH BACK COVER



THIS IS ONLY FOR 47151-1061/1071/1081

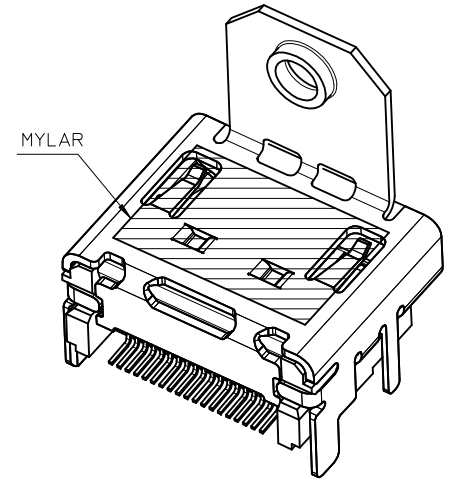
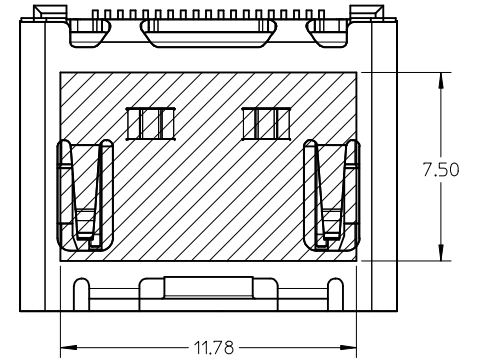
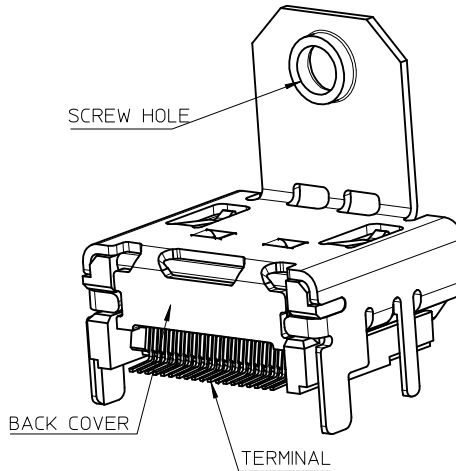
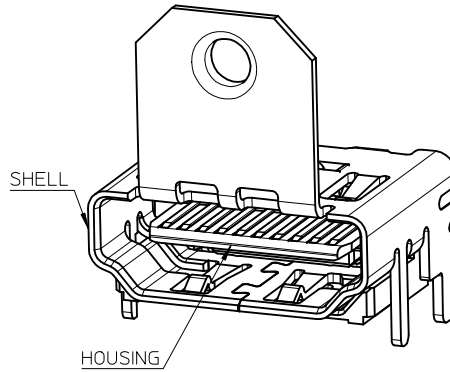
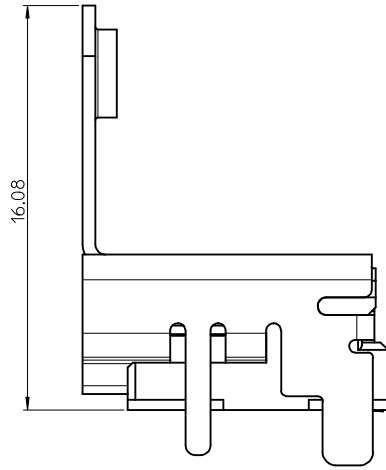
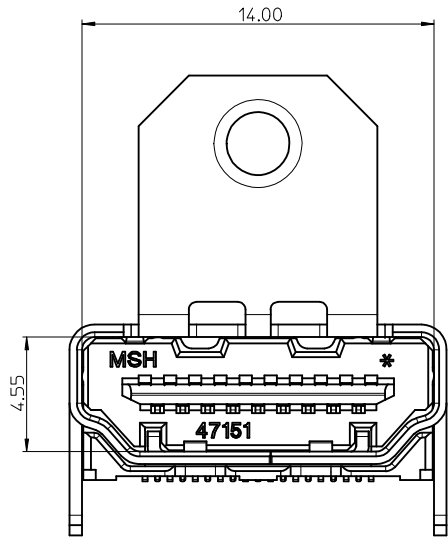
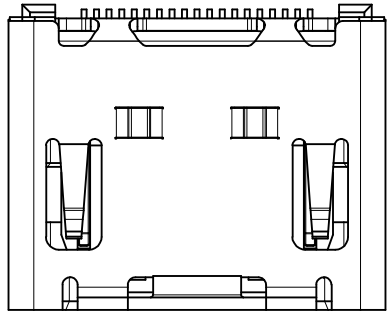
NOTES:

1. THE UNSPECIFIED DIMENSIONS REFER TO 47151-0001.
2. PACKAGE SPECIFICATION FOR WITHOUT FLANGE REFER TO PK-47151-001.

REVISED EC NO: DRWN: CWTANG CHKD: APPR:	2009/10/23	DESCRIPTION	QUALITY SYMBOLS		GENERAL TOLERANCES (UNLESS SPECIFIED)		DIMENSION STYLE		SCALE	DESIGN UNITS	THIRD ANGLE PROJECTION	
			▼=0 ▽=0		mm INCH		MM ONLY		5:1	METRIC		
			4 PLACES	± ---	± ---	DRAWN BY	DATE	TITLE				
			3 PLACES	± ---	± ---	RZHANG	2004/07/20	1.0 HDMI RIGHT ANGLE HEADER ASSEMBLY(19 PIN) LEAD FREE				
2 PLACES	± 0.25	± ---	CHECKED BY	DATE	MOLEX INCORPORATED SD-47151-001							
1 PLACE	± ---	± ---	GRMA	2004/07/20								
ANGULAR ± 3 °			APPROVED BY	DATE	DOCUMENT NO.							
DRAFT WHERE APPLICABLE MUST REMAIN WITHIN DIMENSIONS			YTYAP	2004/07/20	MATERIAL NO.		SEE SHEET 6					
			REV		SIZE		THIS DRAWING CONTAINS INFORMATION THAT IS PROPRIETARY TO MOLEX INCORPORATED AND SHOULD NOT BE USED WITHOUT WRITTEN PERMISSION					
					A3		3 OF 7					

10 9 8 7 6 5 4 3 2 1

WITH BACK COVER



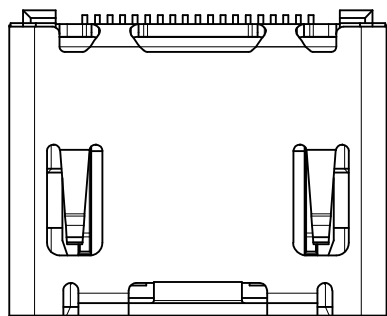
THIS IS ONLY FOR
47151-1025/1075/1085/6022/6032/1026/2062

NOTES:

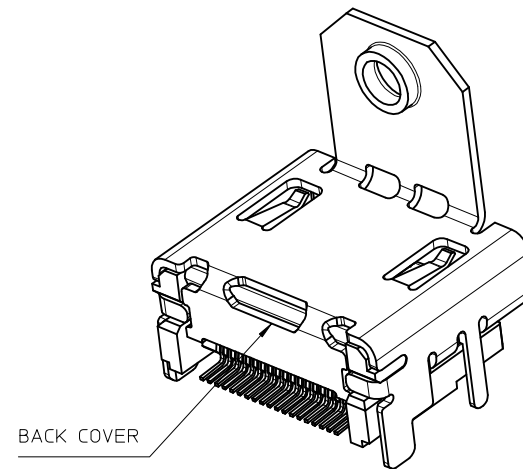
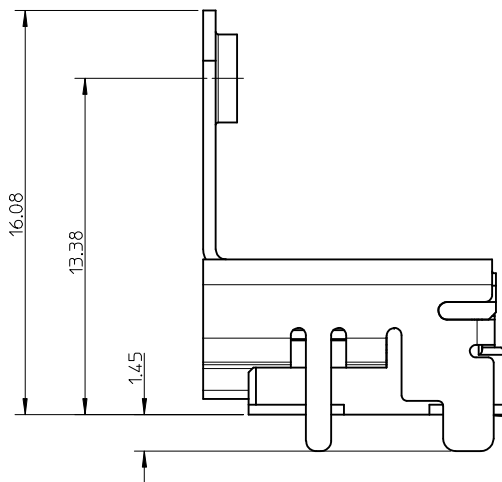
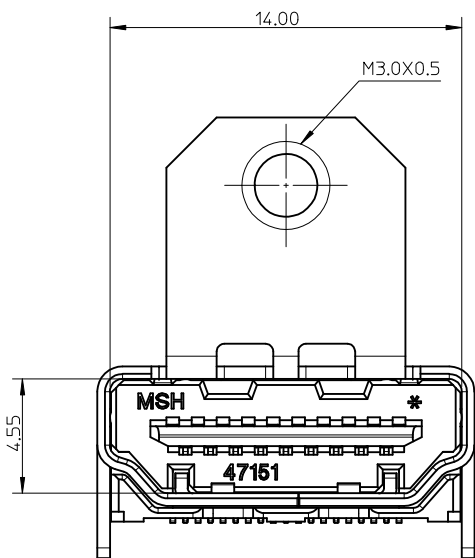
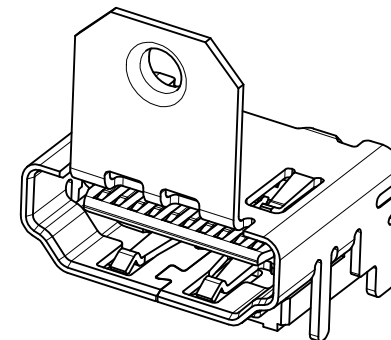
1. THE UNSPECIFIED DIMENSIONS REFER TO 47151-0002.
2. PACKAGE SPECIFICATION FOR WITH FLANGE REFER TO
 OPTION 1 : 47151-6032/1026/2062 REFER TO PK-47151-005
 OPTION 2 : 47151-1025/1075/1085/6022 REFER TO PK-47151-002

REVISED EC NO: K	DRW: CWTANG CHKD: APPR:	DESCRIPTION REV	2009/01/23	QUALITY SYMBOLS		GENERAL TOLERANCES (UNLESS SPECIFIED)		DIMENSION STYLE MM ONLY		SCALE 5:1	DESIGN UNITS METRIC	THIRD ANGLE PROJECTION		
				▼=0		mm	INCH	DRAWN BY RZHANG	DATE 2004/07/20	TITLE				
				∇=0	4 PLACES ± --- ± ---	3 PLACES ± --- ± ---	2 PLACES ± 0.25 ± ---	1 PLACE ± --- ± ---	CHECKED BY GRMA	DATE 2004/07/20	1.0 HDMI RIGHT ANGLE HEADER ASSEMBLY(19 PIN) LEAD FREE			
					ANGULAR ± 3 °		APPROVED BY YTYAP		DATE 2004/07/20	MOLEX MOLEX INCORPORATED		DOCUMENT NO. SD-47151-001		
DRAFT WHERE APPLICABLE MUST REMAIN WITHIN DIMENSIONS				SIZE A3		THIS DRAWING CONTAINS INFORMATION THAT IS PROPRIETARY TO MOLEX INCORPORATED AND SHOULD NOT BE USED WITHOUT WRITTEN PERMISSION						SHEET NO. 4 OF 7		

9 8 7 6 5 4 3 2 1




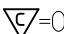
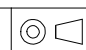
WITHOUT TOP HOLE



NOTES:
1. THE UNSPECIFIED DIMENSIONS REFER TO 47151-1102.

REVISED EC NO: K	2009/01/23	DRAWN: CWTANG CHKD: APPR:	DESCRIPTION	QUALITY SYMBOLS	GENERAL TOLERANCES (UNLESS SPECIFIED)	DIMENSION STYLE	SCALE	DESIGN UNITS	THIRD ANGLE PROJECTION														
				$\blacktriangledown=0$ $\triangle=0$	<table border="1"> <thead> <tr> <th></th> <th>mm</th> <th>INCH</th> </tr> </thead> <tbody> <tr> <td>4 PLACES</td> <td>\pm---</td> <td>\pm---</td> </tr> <tr> <td>3 PLACES</td> <td>\pm---</td> <td>\pm---</td> </tr> <tr> <td>2 PLACES</td> <td>± 0.25</td> <td>\pm---</td> </tr> <tr> <td>1 PLACE</td> <td>\pm---</td> <td>\pm---</td> </tr> <tr> <td colspan="3">ANGULAR $\pm 3^\circ$</td> </tr> </tbody> </table>		mm	INCH	4 PLACES	\pm ---	\pm ---	3 PLACES	\pm ---	\pm ---	2 PLACES	± 0.25	\pm ---	1 PLACE	\pm ---	\pm ---	ANGULAR $\pm 3^\circ$		
	mm	INCH																					
4 PLACES	\pm ---	\pm ---																					
3 PLACES	\pm ---	\pm ---																					
2 PLACES	± 0.25	\pm ---																					
1 PLACE	\pm ---	\pm ---																					
ANGULAR $\pm 3^\circ$																							
MATERIAL NO.		DRAWN BY		DATE	TITLE		MOLEX INCORPORATED																
SEE SHEET 7		RZHANG		2004/07/20	1.0 HDMI RIGHT ANGLE HEADER ASSEMBLY(19 PIN) LEAD FREE		SD-47151-001																
SIZE		CHECKED BY		DATE	APPROVED BY		SHEET NO.																
A3		GRMA		2004/07/20	YTYAP		5 OF 7																
THIS DRAWING CONTAINS INFORMATION THAT IS PROPRIETARY TO MOLEX INCORPORATED AND SHOULD NOT BE USED WITHOUT WRITTEN PERMISSION		APPROVED BY		DATE	DOCUMENT NO.																		
		MATERIAL NO.		2004/07/20	SD-47151-001																		

10		9				8		7		6		5		4		3		2		1																									
ASSEMBLY NO.	DIMENSION					FEATURE				HOUSING COLOR	GOLD PLATING IN CONTACT AREA	SHELL PLATING	REMARK																																
	DIM A	DIM B	DIM C	DIM D	DIM E	FANGE	BACK COVER	TOP HOLES	MYLAR																																				
47151-0001	1.80	2.20	/	/	/	W/O	W/O			W/O	BLACK	SEE NOTE 2 (1)	SEE NOTE 2 (a)	FOR SHEET 1																															
47151-0041																																													
47151-0051																																													
47151-0011																																													
47151-0071																																													
47151-0061																																													
47151-0021																																													
47151-0031																																													
47151-0101																																													
47151-0141											1.45	1.45			/	/	/	W/O	W/O			W/O	BLACK	SEE NOTE 2(2)	SEE NOTE 2 (a)	FOR SHEET 1																			
47151-0151																																													
47151-0111																																													
47151-0181																																													
47151-0161																																													
47151-0121																																													
47151-0131																																													
47151-0002	1.80	2.20				W/O	W/O			W/O			BLACK	SEE NOTE 2(1)									SEE NOTE 2 (a)	FOR SHEE 2																					
47151-0042																																													
47151-0062																																													
47151-0012																																													
47151-0052																																													
47151-0072																																													
47151-0022																																													
47151-0032																																													
47151-0102																																													
47151-0142											1.45	1.45	M3.0X0.5	16.08	13.38	WITH	W/O			W/O	BLACK	SEE NOTE 2 (1)			SEE NOTE 2 (a)	FOR SHEE 2																			
47151-0112																																													
47151-0152																																													
47151-0172																																													
47151-0122																																													
47151-0132																																													
47151-6002	1.80	2.20		14.25	11.28					W/O											BLACK	SEE NOTE 2(2)	SEE NOTE 2 (a)	FOR SHEE 2																					
47151-6062																																													
47151-6082																																													
47151-6102																																													
47151-6172																																													
47151-6162																																													
47151-1001											1.80	2.20				WITH				W/O	BLACK	SEE NOTE 2 (1)			SEE NOTE 2 (a)	FOR SHEET 3																			
47151-1061																																													
47151-1041																																													
47151-1071																																													
47151-1051																																													
47151-1081																																													
47151-1011																																													
47151-1211																																													
47151-1311																																													
47151-1021																																													
47151-1091																																													
47151-1031																																													

REVISED IEC NO: K DRWN: CWTANG CHKD: APPR: 2009/01/23	QUALITY SYMBOLS  = 0  = 0	GENERAL TOLERANCES (UNLESS SPECIFIED)		DIMENSION STYLE MM ONLY		SCALE 1:1	DESIGN UNITS METRIC	 THIRD ANGLE PROJECTION			
		4 PLACES ± --- ± --- 3 PLACES ± --- ± --- 2 PLACES ± 0.25 ± --- 1 PLACE ± --- ± --- ANGULAR ± 3 °	mm INCH ± --- ± --- ± 0.25 ± --- ± --- ± ---	DRAWN BY RZHANG	DATE 2004/07/20	TITLE 1.0 HDMI RIGHT ANGLE HEADER ASSEMBLY(19 PIN) LEAD FREE					
		DRAFT WHERE APPLICABLE MUST REMAIN WITHIN DIMENSIONS		CHECKED BY GRMA	DATE 2004/07/20	MOLEX INCORPORATED					
				APPROVED BY YTYAP	DATE 2004/07/20	MATERIAL NO. SEE TABLE		DOCUMENT NO. SD-47151-001	SHEET NO. 6 OF 7		

		10		9		8		7		6		5		4		3		2		1	
ASSEMBLY NO.	DIMENSION					FEATURE			MYLAR	HOUSING COLOR	GOLD PLATING IN CONTACT AREA	SHELL PLATING	REMARK								
	DIM A	DIM B	DIM C	DIM D	DIM E	FLANGE	BACK COVER	TOP HOLES													
47151-1101	1.45	1.45	/	/	/	W/O	WITH	WITH	W/O	BLACK	SEE NOTE 2(1)	SEE NOTE 2 (a)	SEE SHEET 3								
47151-1141										BLACK	SEE NOTE 2 (2)										
47151-1151										BLACK	SEE NOTE 2 (3)										
47151-1111										NATURE	SEE NOTE 2(1)										
47151-1161											SEE NOTE 2(2)										
47151-1171											SEE NOTE 2(3)										
47151-1121										BLACK	SEE NOTE 2 (1)										
47151-1131										NATURE											
47151-1002	1.80	2.20							W/O	BLACK	SEE NOTE 2 (1)	SEE NOTE 2 (a)	FOR SHEET 4								
47151-1042									BLACK	SEE NOTE 2 (2)											
47151-1052									BLACK	SEE NOTE 2 (3)											
47151-1062									BLACK	SEE NOTE 2 (4)											
47151-2062									WITH	NATURE	SEE NOTE 2(1)										
47151-1012										SEE NOTE 2(2)											
47151-1072										SEE NOTE 2(3)											
47151-1082										BLACK	SEE NOTE 2 (1)										
47151-1022										NATURE											
47151-1032										BLACK	SEE NOTE 2 (1)										
47151-1102	1.45	1.45	M3.0X0.5	16.08	13.38	WITH	WITH	WITH	W/O	BLACK	SEE NOTE 2 (2)	SEE NOTE 2 (a)	FOR SHEET 4								
47151-1142									BALCK	SEE NOTE 2 (3)											
47151-1152									NATURE	SEE NOTE 2(1)											
47151-1112										SEE NOTE 2(2)											
47151-1162										SEE NOTE 2(3)											
47151-1172									BLACK	SEE NOTE 2 (1)											
47151-1122									NATURE												
47151-1132									BLACK	SEE NOTE 2(2)											
47151-1005										SEE NOTE 2(3)											
47151-1045										NATURE	SEE NOTE 2(1)										
47151-1065	1.80	2.20	4-40						W/O	BLACK	SEE NOTE 2(1)	SEE NOTE 2 (a)	FOR SHEET 4								
47151-1015										SEE NOTE 2(2)											
47151-1035										SEE NOTE 2(3)											
47151-1055										SEE NOTE 2(1)											
47151-1025										SEE NOTE 2(2)											
47151-1075										SEE NOTE 2(3)											
47151-1085									WITH	BLACK	SEE NOTE 2(1)										
47151-1026										SEE NOTE 2(2)											
47151-6012										SEE NOTE 2(3)											
47151-6022										NATURE	SEE NOTE 2(1)										
47151-6042	1.80	2.20	M3.0X0.5	14.25	11.28				W/O	BLACK	SEE NOTE 2 (2)	SEE NOTE 2 (a)	FOR SHEET 4								
47151-6052									BLACK	SEE NOTE 2 (3)											
47151-6032									WITH	BLACK	SEE NOTE 2 (1)										
47151-6112									BLACK	SEE NOTE 2 (2)											
47151-6142	1.45	1.45							W/O	BLACK	SEE NOTE 2 (3)	SEE NOTE 2 (a)	FOR SHEET 4								
47151-6152									BLACK	SEE NOTE 2 (1)											
47151-7102									BLACK	SEE NOTE 2 (2)											
47151-7142	1.45	1.45	M3.0X0.5	16.08	13.38	WITH	WITH	W/O	BLACK	SEE NOTE 2 (1)	SEE NOTE 2 (a)	FOR SHEET 5									
47151-7162									BLACK	SEE NOTE 2(2)											

REVISED EC NO: SH2009-0502 DRAWN: CWTANG 2009/01/23 CHKD: 2009/01/23 APPR: HMMANG 2009/02/10 REV DESCRIPTION	QUALITY SYMBOLS	GENERAL TOLERANCES (UNLESS SPECIFIED)	DIMENSION STYLE	SCALE	DESIGN UNITS	THIRD ANGLE PROJECTION																	
	$\nabla = 0$ $\sphericalcap = 0$	<table border="1"> <tr> <th></th> <th>mm</th> <th>INCH</th> </tr> <tr> <td>4 PLACES</td> <td>± ---</td> <td>± ---</td> </tr> <tr> <td>3 PLACES</td> <td>± ---</td> <td>± ---</td> </tr> <tr> <td>2 PLACES</td> <td>± 0.25</td> <td>± ---</td> </tr> <tr> <td>1 PLACE</td> <td>± ---</td> <td>± ---</td> </tr> </table>		mm	INCH	4 PLACES	± ---	± ---	3 PLACES	± ---	± ---	2 PLACES	± 0.25	± ---	1 PLACE	± ---	± ---	MM ONLY	1:1	METRIC			
		mm	INCH																				
	4 PLACES	± ---	± ---																				
3 PLACES	± ---	± ---																					
2 PLACES	± 0.25	± ---																					
1 PLACE	± ---	± ---																					
	<table border="1"> <tr> <th>DRAWN BY</th> <th>DATE</th> <th>TITLE</th> </tr> <tr> <td>RZHANG</td> <td>2004/07/20</td> <td>1.0 HDMI RIGHT ANGLE HEADER ASSEMBLY(19 PIN) LEAD FREE</td> </tr> <tr> <th>CHECKED BY</th> <th>DATE</th> <td></td> </tr> <tr> <td>GRMA</td> <td>2004/07/20</td> <td></td> </tr> <tr> <th>APPROVED BY</th> <th>DATE</th> <td></td> </tr> <tr> <td>YTYAP</td> <td>2004/07/20</td> <td></td> </tr> </table>	DRAWN BY	DATE	TITLE	RZHANG	2004/07/20	1.0 HDMI RIGHT ANGLE HEADER ASSEMBLY(19 PIN) LEAD FREE	CHECKED BY	DATE		GRMA	2004/07/20		APPROVED BY	DATE		YTYAP	2004/07/20					
DRAWN BY	DATE	TITLE																					
RZHANG	2004/07/20	1.0 HDMI RIGHT ANGLE HEADER ASSEMBLY(19 PIN) LEAD FREE																					
CHECKED BY	DATE																						
GRMA	2004/07/20																						
APPROVED BY	DATE																						
YTYAP	2004/07/20																						
		DRAFT WHERE APPLICABLE MUST REMAIN WITHIN DIMENSIONS	MATERIAL NO.	DOCUMENT NO.	SHEET NO.																		
			SEE TABLE	SD-47151-001	7 OF 7																		
			THIS DRAWING CONTAINS INFORMATION THAT IS PROPRIETARY TO MOLEX INCORPORATED AND SHOULD NOT BE USED WITHOUT WRITTEN PERMISSION																				