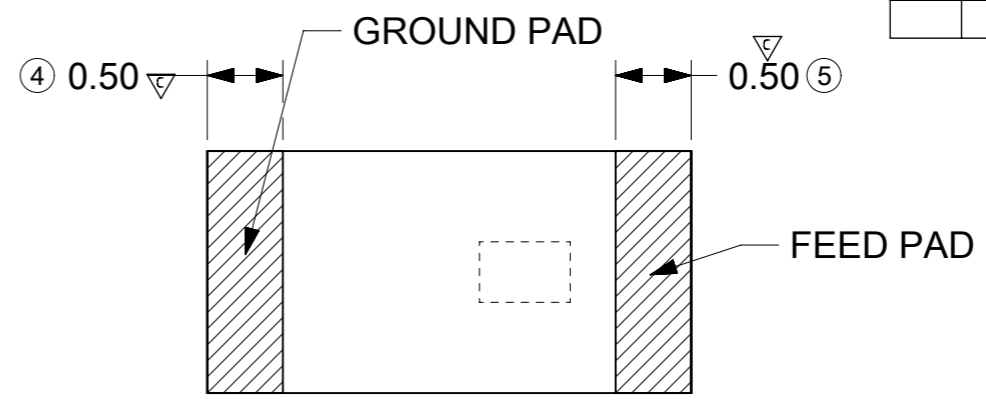
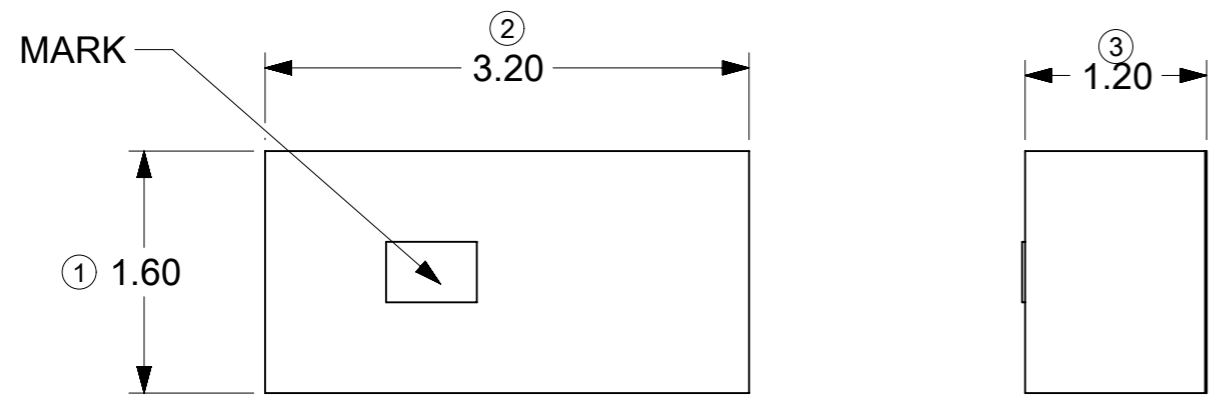
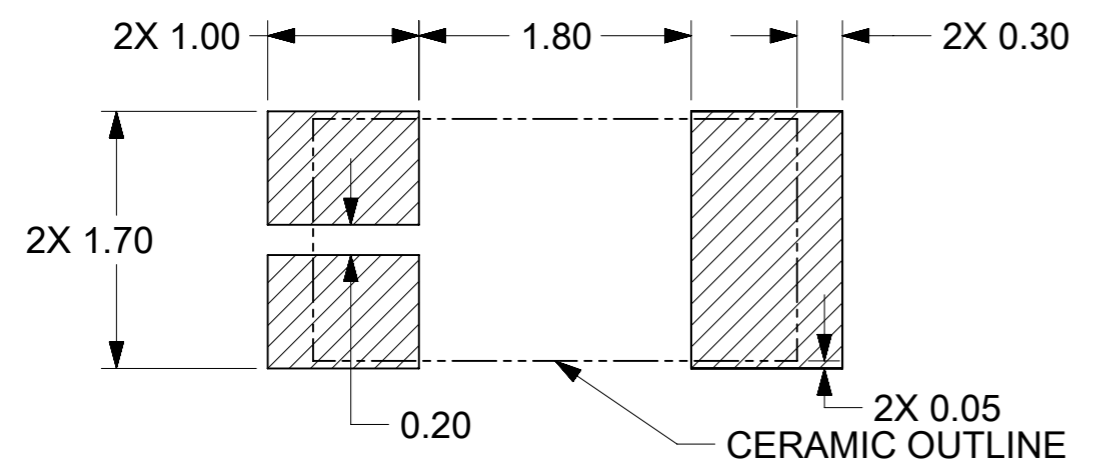
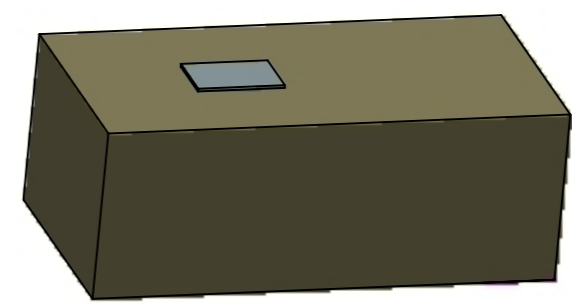


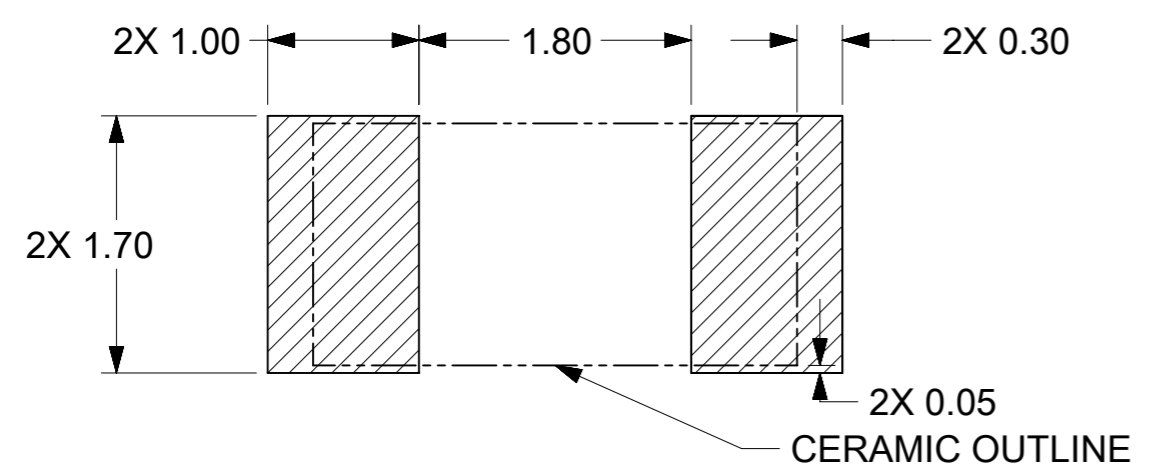
REV	EC	DRWN	DATE
A	FIRST RELEASE	COOPER	20181201
B	UPDATE PLATING SPEC	COOPER	20181225
C	CORRECT PN IN SHEET	COOPER	20190314



SOLDERING PADS ON PROUDCT



CONFIG1: RECOMMENDED PCB LAYOUT FOR 2.4GHZ BAND



CONFIG2: RECOMMENDED PCB LAYOUT FOR 2.4/5GHZ BAND

- NOTES
- 1.MATERIAL: CERAMIC
 - 2.SOLDERING PADS : SILVER WITH NI/ TIN PLATED
 - 3.PACKAGING REFER TO PK OF 2119640001.

THIS DRAWING CONTAINS INFORMATION THAT IS PROPRIETARY TO MOLEX ELECTRONIC TECHNOLOGIES, LLC AND SHOULD NOT BE USED WITHOUT WRITTEN PERMISSION										
QUALITY SYMBOLS FA = 0 FE = 0 FP = 0 VA = 0 VC = 0 X = 0 B = 0 V = 0	EC NO: 613750	2019/03/14	GENERAL TOLERANCES (UNLESS SPECIFIED)		DIMENSION UNITS	SCALE				
	DRWN: CZHOU05	2019/03/14	ANGULAR TOL ± °		mm					
	CHK'D: XJISONG	2019/03/14	4 PLACES	±	DRWN BY	DATE	2.4/5GHZ CERAMIC SMT ANTENNA			
	APPR: XJISONG	2019/03/14	3 PLACES	± 0.1	CZHOU05	2018/12/20				
		2 PLACES	± 0.2	CHK'D BY	DATE	PRODUCT CUSTOMER DRAWING				
		1 PLACE	± 0.3	APPR BY	DATE					
		0 PLACES	±	XJISONG	2019/01/22	SERIES	MATERIAL NUMBER	CUSTOMER		
		DRAFT WHERE APPLICABLE MUST REMAIN WITHIN DIMENSIONS		DRAWING SIZE	THIRD ANGLE PROJECTION	211964	2119640001			
				A3		DOCUMENT NUMBER		DOC TYPE	DOC PART	SHEET NUMBER
						2119640001		PSD	SD	1 OF 1