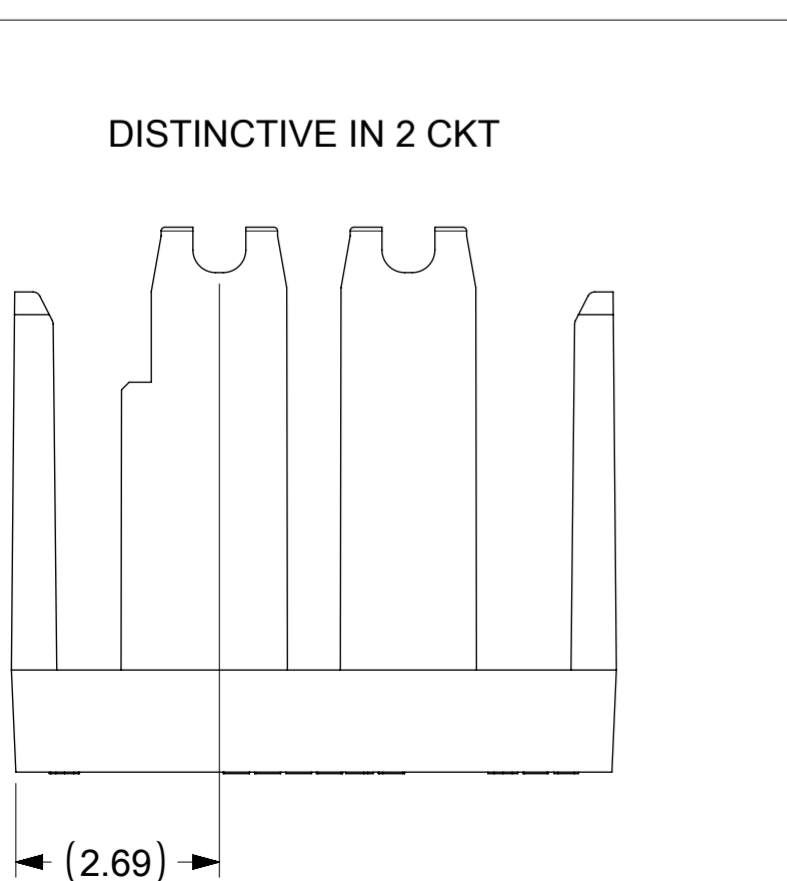
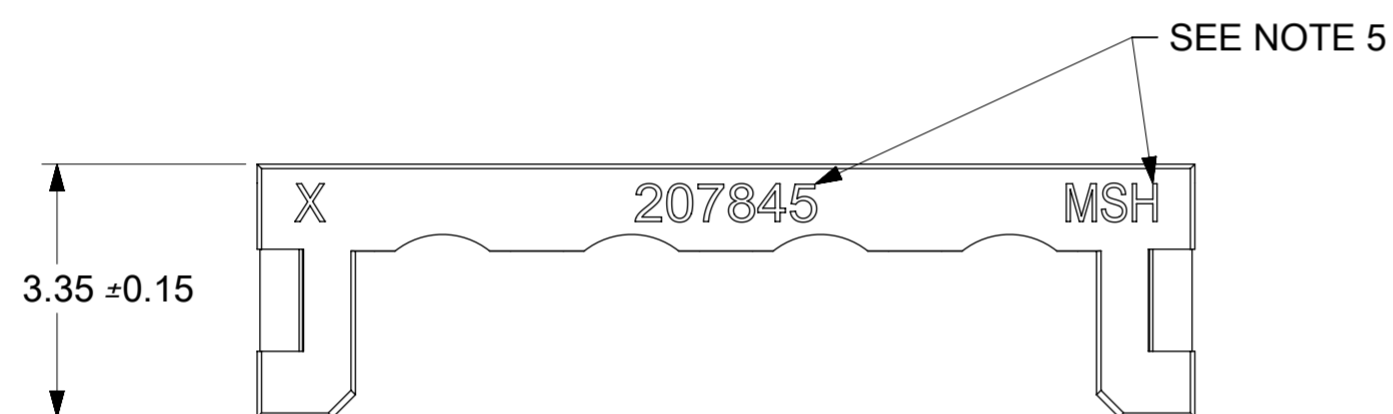


ISOMETRIC VIEW FOR 4 CKT



- NOTES:
 1. MATERIAL: PA66, RATED UL 94V-0, COLOR-NATURAL WHITE
 2. PRODUCT SPECIFICATION: 2079020001-PS
 3. PACKAGING SPECIFICATION: 2078450000-PK
 4. COSMETIC SPECIFICATION: PS-45499-002 CLASS B
 5. MOLEX LOGO AND SERIES ID

PART NO.	CKT	DIM. C
2078450002	2	7.99
2078450003	3	9.89
2078450004	4	12.39
2078450005	5	14.89
2078450006	6	17.39
2078450007	7	19.89
2078450008	8	22.39

THIS DRAWING CONTAINS INFORMATION THAT IS PROPRIETARY TO MOLEX ELECTRONIC TECHNOLOGIES, LLC AND SHOULD NOT BE USED WITHOUT WRITTEN PERMISSION												
SYMBOLS		DIMENSION UNITS		SCALE		CURRENT REV DESC: INTIAL RELEASE						
∇ = 0	mm	10:1		molex TPA FOR L1NK 250 PRODUCT CUSTOMER DRAWING DOCUMENT NUMBER: 2078450004-SD DOC TYPE: PSD DOC PART: 000 REVISION: A MATERIAL NUMBER: 207845 CUSTOMER: A2-SIZE SHEET NUMBER: 1 OF 1								
∇ = 0	GENERAL TOLERANCES (UNLESS SPECIFIED)											
∇ = 0	ANGULAR TOL ± 0.5°											
∇ = 0	4 PLACES ±											
∇ = 0	3 PLACES ±											
∇ = 0	2 PLACES ± 0.25			EC NO: 616215		DRWN: SUDAYGUNAGI 2018/06/19		CHK'D: GJEEVANSURES 2019/04/25		APPR: ISHWARG 2019/04/26		
∇ = 0	1 PLACE ± 0.3			INITIAL REVISION:		DRWN: SUDAYGUNAGI 2018/06/19		APPR: ISHWARG 2019/04/26				
∇ = 0	0 PLACES ±			DRAFT WHERE APPLICABLE MUST REMAIN WITHIN DIMENSIONS		THIRD ANGLE PROJECTION		DRAWING		SERIES		
∇ = 0					A2-SIZE		207845					