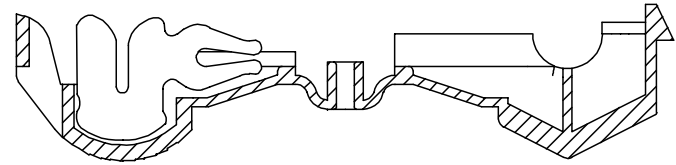
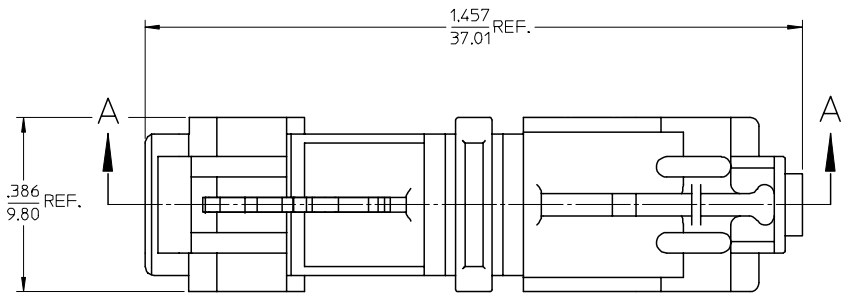
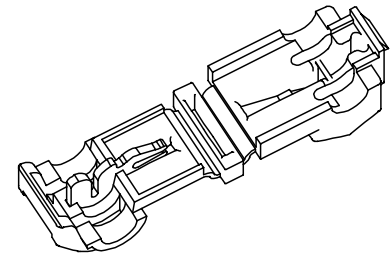
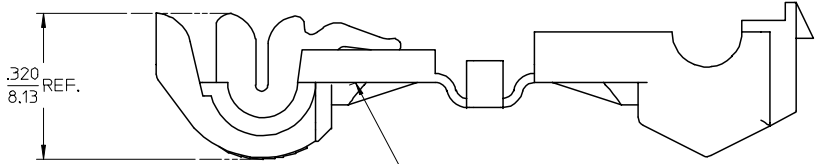


12 11 10 9 8 7 6 5 4 3 2 19216

ASSEMBLY MATERIAL NO.	ASSEMBLY ENG. NO.	WIRE RANGE MARKING (XXXXX)	HOUSING COLOR
192160017	WTB-1814	18-14 AWG	BLUE
192160018	WTB-22-18	22-18 AWG	RED
192160019	WTB-12	12 AWG	YELLOW



SECTION A-A



INSERT TO BE FULLY SEATED AGAINST FLOOR

# SALES DRAWING

RELEASE TO W/MANAGER EC NO: ETC2004-0058 DRWN: DMYRICK 2003/09/05 CHKD: RWD 2003/09/05 APPR: RDEROSS 2003/09/08	QUALITY SYMBOLS	GENERAL TOLERANCES (UNLESS SPECIFIED)	SCALE 5:1	DESIGN UNITS INCH	THIRD ANGLE PROJECTION	REVISE ON CAD ONLY
	▽-0	mm INCH	DIMENSION STYLE IN/MM		TITLE	
	∇-0	4 PLACES ± --- ± ---	DRAWN BY DATE		WIRE TAP TERMINAL ASSEMBLY  MOLEX INCORPORATED	
		3 PLACES ± --- ± ---	DLM 03/06/26			
		2 PLACES ± --- ± ---	CHECKED BY DATE		(SEE CHART) SD-19216-007	
	1 PLACE ± --- ± ---	RWD 03/06/26		SHEET NO. 1 OF 1		
		ANGULAR ±1/2°	APPROVED BY DATE		THIS DRAWING CONTAINS INFORMATION THAT IS PROPRIETARY TO MOLEX INCORPORATED AND SHOULD NOT BE USED WITHOUT WRITTEN PERMISSION	
		DRAFT WHERE APPLICABLE	RWD 03/06/26			
		MUST REMAIN WITHIN DIMENSIONS				

11 10 9 8 7 6 5 4 3 2 1

# Mouser Electronics

Authorized Distributor

Click to View Pricing, Inventory, Delivery & Lifecycle Information:

[Molex:](#)

[19216-0019](#) [19216-0018](#)