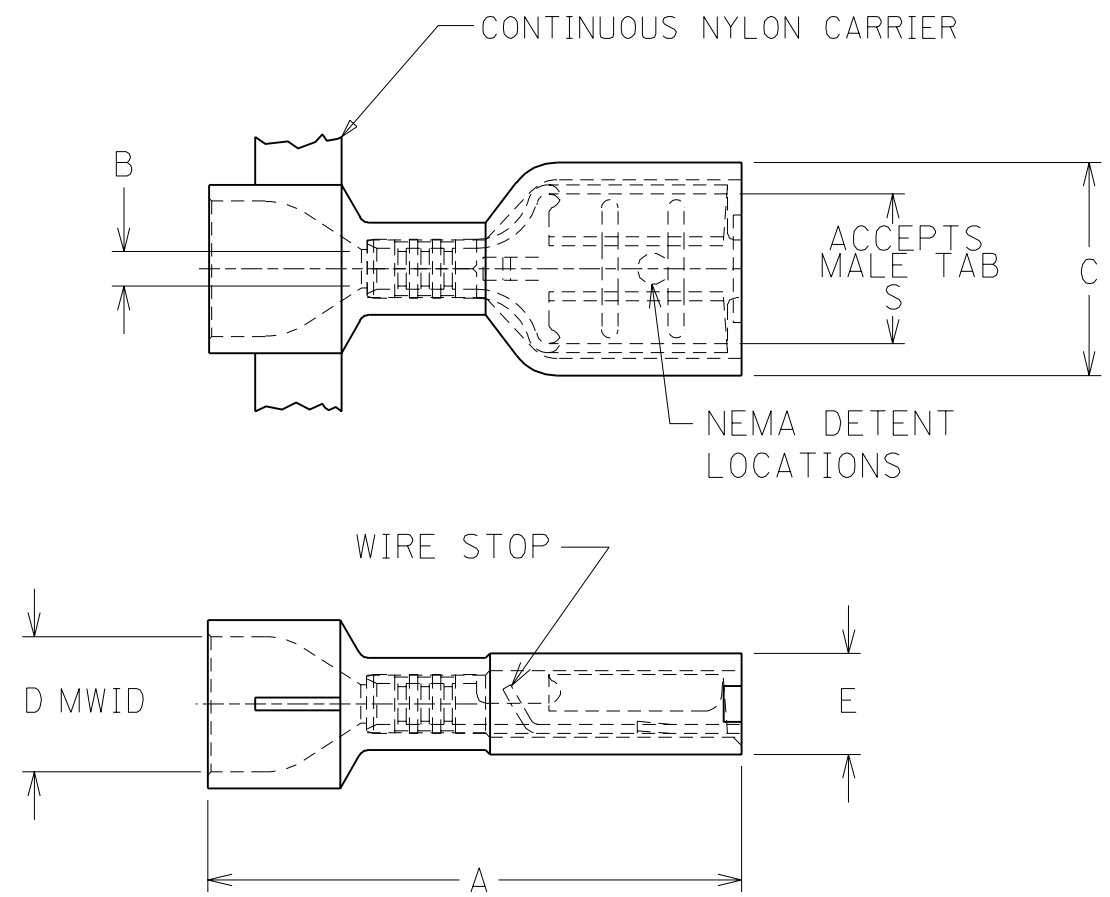


MATERIAL # LOOSE PCS	MATERIAL # CONTINUOUS	MATERIAL # TAPE MNT	MOLEX-ETC PART NO.	INS. COLOR	WIRE RANGE AWG	FITS MALE TAB SIZE	STOCK THICK.	"A" MAX.	"B" MIN.	"C" MAX.	"D" MWID	"E" MAX.
190030008	190030009	190030010	AA-2201X	RED	22-18	.250x.032	.016	.94	.058	.380	.230	.180
NOTE 5	NOTE 5	NOTE 5	AA-2213X	RED	22-18	.205x.020	.016	.86	.058	.316	.230	.160
NOTE 5	NOTE 5	NOTE 5	AA-2214X	RED	22-18	.205x.032	.016	.86	.058	.316	.230	.160
190030014	190030015	190030016	AA-2202X	RED	22-18	.187x.020	.016	.86	.058	.316	.230	.160
190030021	190030022	190030023	AA-2203X	RED	22-18	.187x.032	.016	.86	.058	.316	.230	.160
190030027	190030028	190030029	AA-2204X	RED	22-18	.110x.020	.012	.86	.058	.230	.230	.150
190030033	190030034	190030035	AA-2205X	RED	22-18	.110x.032	.012	.86	.058	.230	.230	.150
190030047	190030048	100030049	BB-2206X	BLUE	16-14	.250x.032	.016	.94	.083	.380	.260	.180
NOTE 5	NOTE 5	NOTE 5	BB-2215X	BLUE	16-14	.205x.020	.016	.86	.083	.316	.260	.170
NOTE 5	NOTE 5	NOTE 5	BB-2216X	BLUE	16-14	.205x.032	.016	.86	.083	.316	.260	.170
190030053	190030054	190030055	BB-2207X	BLUE	16-14	.187x.020	.016	.86	.083	.316	.260	.170
190030059	190030060	190030061	BB-2208X	BLUE	16-14	.187x.032	.016	.86	.083	.316	.260	.170
190050010	190050014	190050015	C-2265	YELLOW	12-10	.250x.032	.018	1.04	.150	.380	.275	.290



1. MATERIAL: BRASS
2. FINISH: ELECTRO-TIN PLATING
3. INSULATION: NYLON
4. MWID= MAXIMUM WIRE INSULATION DIAMETER
5. CONSULT FACTORY FOR AVAILABILITY

CUSTOMER DRAWING

A	CHANGE FORMAT ETC2000-0245 2000/05/31 HEB
LTR.	REVISIONS

DIMENSIONS SHOWN (METRIC) INCH		REVISE ONLY ON CAD SYSTEM																
UNLESS OTHERWISE SPECIFIED TOLERANCES: ANGULAR ± 1/2°		TITLE FULLY INSULATED QUICK DISCONNECTS EXPANDED FLARE																
<table border="1"> <thead> <tr> <th></th> <th>INCH</th> <th>METRIC</th> </tr> </thead> <tbody> <tr> <td>3 PLACE</td> <td>± .005</td> <td>± ---</td> </tr> <tr> <td>2 PLACE</td> <td>± .01</td> <td>± 0.13</td> </tr> <tr> <td>1 PLACE</td> <td>± ---</td> <td>± 0.25</td> </tr> </tbody> </table>			INCH	METRIC	3 PLACE	± .005	± ---	2 PLACE	± .01	± 0.13	1 PLACE	± ---	± 0.25	<table border="1"> <tr> <td>moLEX ETC INC. PINELLAS PARK, FLA. 33781 U.S.A.</td> <td>SHEET NO. 1 OF 1</td> <td>DATE 94/06/17</td> </tr> </table>		moLEX ETC INC. PINELLAS PARK, FLA. 33781 U.S.A.	SHEET NO. 1 OF 1	DATE 94/06/17
	INCH	METRIC																
3 PLACE	± .005	± ---																
2 PLACE	± .01	± 0.13																
1 PLACE	± ---	± 0.25																
moLEX ETC INC. PINELLAS PARK, FLA. 33781 U.S.A.	SHEET NO. 1 OF 1	DATE 94/06/17																
DRAFT WHERE APPLICABLE MUST REMAIN WITHIN DIMENSIONS		PART NO. SEE TABLE																
<table border="1"> <tr> <td>DRWG. BY RCM</td> <td>CHK'D. BY JM</td> </tr> <tr> <td>APP'D. BY FP</td> <td>SCALE NO:NE</td> </tr> </table>		DRWG. BY RCM	CHK'D. BY JM	APP'D. BY FP	SCALE NO:NE	<table border="1"> <tr> <td>FILE NAME CD2906 DGN</td> <td>DRWG. NO. CD-2906</td> </tr> </table>		FILE NAME CD2906 DGN	DRWG. NO. CD-2906									
DRWG. BY RCM	CHK'D. BY JM																	
APP'D. BY FP	SCALE NO:NE																	
FILE NAME CD2906 DGN	DRWG. NO. CD-2906																	
		THIS DRAWING CONTAINS INFORMATION THAT IS PROPRIETARY TO MOLEX-ETC INC. AND SHOULD NOT BE USED WITHOUT WRITTEN PERMISSION.																
		DIV. ET	SIZE B															