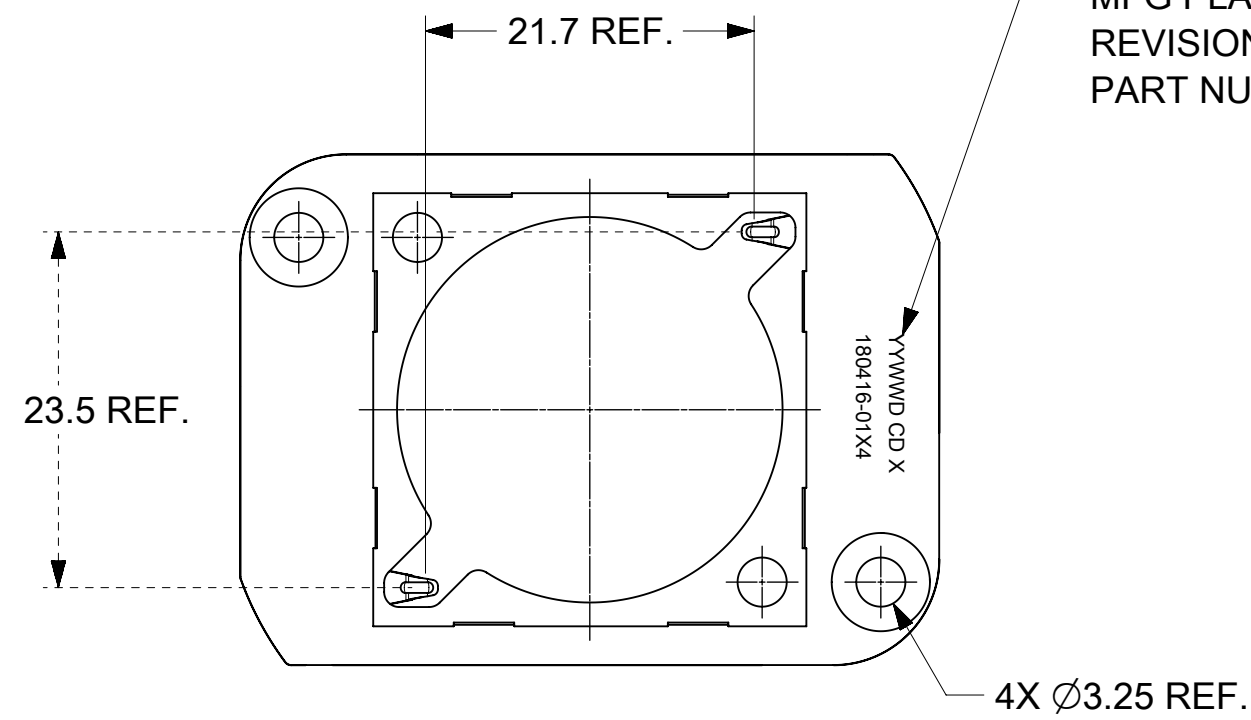
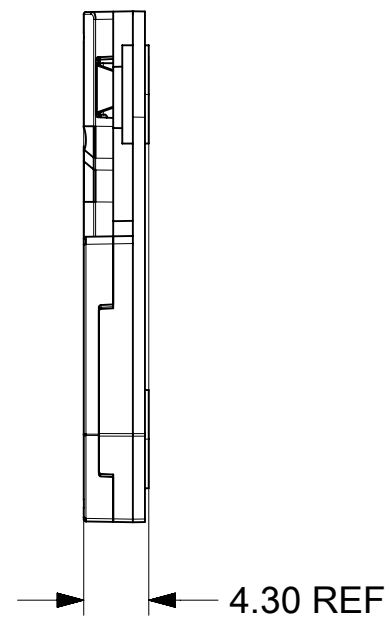
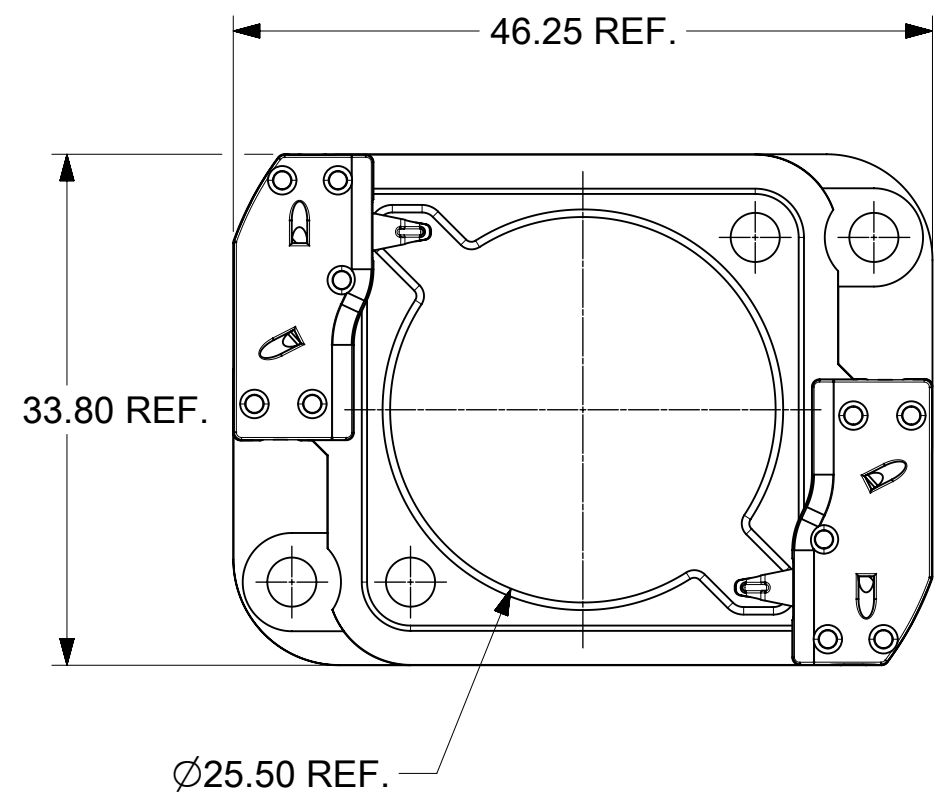
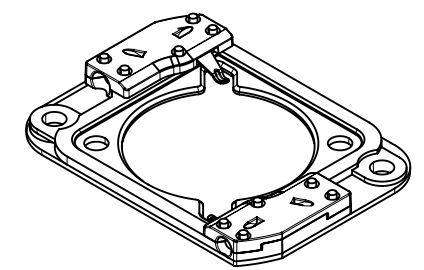


PART NUMBER	DESCRIPTION	MATERIAL	AGENCY APPROVAL
180416-0104	28MM X 28MM HOLDER ASSEMBLY	POLYAMIDE (PA66) GLASS FILLED, COLOR: NATURAL	UL496 FILE E345583
180416-0114	28MM X 28MM HOLDER ASSEMBLY	POLYESTER (PBT) GLASS FILLED, COLOR: WHITE	-

HOLDER ASSEMBLY  
180416-0104, 180416-0114



PART MARKED WITH  
DATE CODE (YYWWD)  
MFG PLANT (CD)  
REVISION (X)  
PART NUMBER (180416-01X4)



ISO VIEW A  
SCALE 1:1

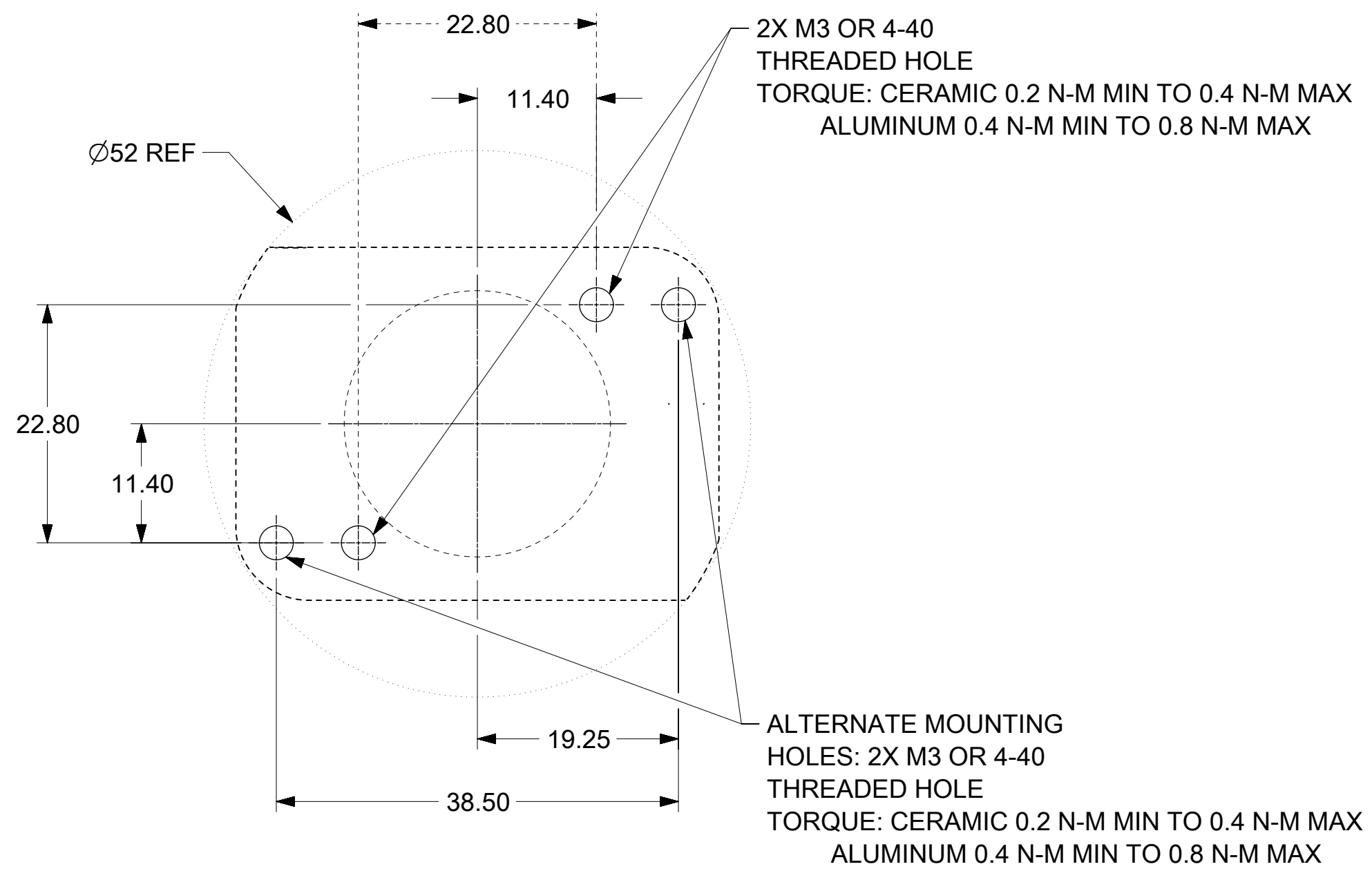
NOTES:

1. MATERIALS: HOUSING AND CAPS: SEE CHART, TERMINAL: COPPER ALLOY.
2. FINISHES: TERMINAL: NICKEL (Ni) UNDERPLATE 1.27 µm;  
WIRE TRAP: SELECT TIN (Sn) 2.54µm; LED CONTACT: SELECT GOLD (Au) 0.76µm
3. PRODUCT SPECIFICATION: PS-180414-001
4. PACKAGING SPECIFICATION: PK-180419-007
5. APPLICATION SPECIFICATION: AS-180412-001
6. FOR USE WITH: 28MM X 28MM COB LED
7. WIRE GAUGE: 18, 20, AND 22 AWG: TIN-PLATED SOLID, TINNED STRANDED, OR PRE-TINNED STRANDED. STRIP LENGTH 10MM +2.0/-0.0MM. RECOMMENDED MAXIMUM DIAMETER AFTER TINNING: 1.40MM. LARGER DIAMETER WIRES ARE ACCEPTABLE IF FULLY INSERTABLE IN WIRE TRAP AND NO WITHDRAWAL WITHIN 20N FORCE.
8. IF REWORK IS REQUIRED, WIRE MUST BE REPLACED WITH SAME AWG AND TYPE. CARE MUST BE TAKEN NOT TO DAMAGE WIRE TRAP. REWORK IS ACCEPTABLE IF WIRE IS FULLY INSERTABLE IN WIRE TRAP AND NO WITHDRAWAL WITHIN 20N FORCE.
9. SEE CHART FOR AGENCY APPROVAL INFORMATION.
10. ELV AND ROHS COMPLIANT.

THIS DRAWING CONTAINS INFORMATION THAT IS PROPRIETARY TO MOLEX ELECTRONIC TECHNOLOGIES, LLC AND SHOULD NOT BE USED WITHOUT WRITTEN PERMISSION

DIMENSION UNITS		SCALE		CURRENT REV DESC: OBSOLETE PART NO.			
mm		2:1		<p><b>molex</b></p> <p>COB LED HOLDER 28MM X 28MM SQUARE</p> <p>PRODUCT CUSTOMER DRAWING</p> <p>DOCUMENT NUMBER: <b>SD-180416-104</b>   DOC TYPE: PSD   DOC PART: 001   REVISION: D1</p> <p>MATERIAL NUMBER: SEE TABLE   CUSTOMER: GENERAL MARKET   SHEET NUMBER: 1 OF 3</p>			
GENERAL TOLERANCES (UNLESS SPECIFIED)							
4 PLACES	±	MM	±				
3 PLACES	±	MM	±				
2 PLACES	±	0.13	±				
1 PLACE	±	0.25	±	EC NO: 632260		DRWN: RPRABHUM 2020/01/30	
0 PLACES	±		±	CHK'D: GGA 2020/02/28		APPR: GGA 2020/02/28	
ANGULAR TOL ± 0.5 °				INITIAL REVISION:			
DRAFT WHERE APPLICABLE MUST REMAIN WITHIN DIMENSIONS				THIRD ANGLE PROJECTION		DRAWING SERIES	
				C-SIZE		180416	

DOCUMENT STATUS	P1	RELEASE DATE	2020/02/28 02:41:31
12	11	10	9

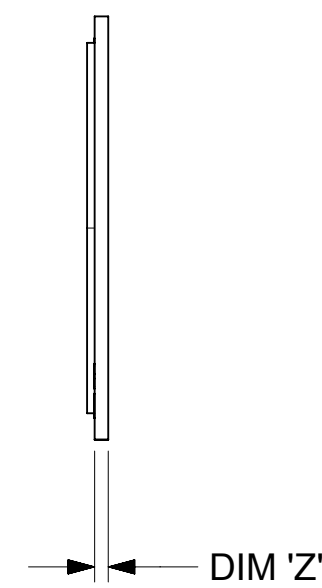
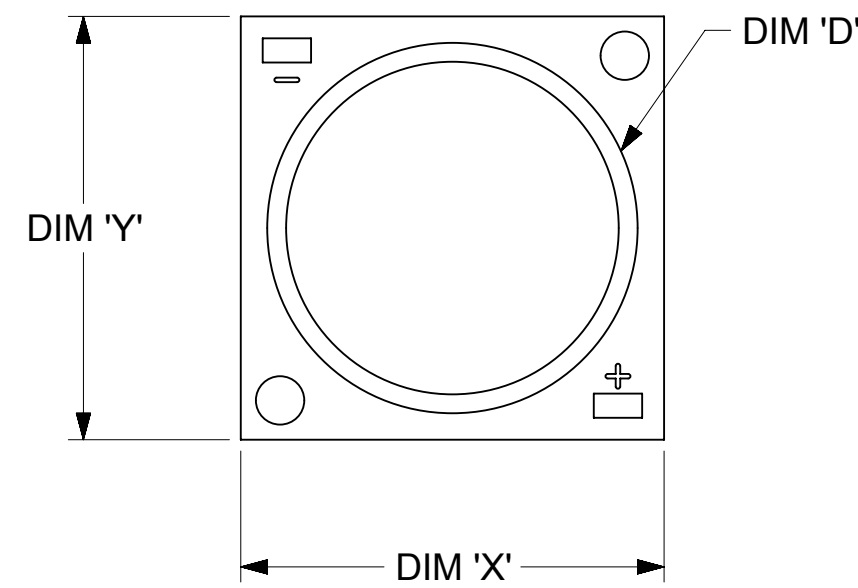


RECOMMENDED MOUNTING DIMENSIONS  
180416-0104, 180416-0114

THIS DRAWING CONTAINS INFORMATION THAT IS PROPRIETARY TO MOLEX ELECTRONIC TECHNOLOGIES, LLC AND SHOULD NOT BE USED WITHOUT WRITTEN PERMISSION									
DIMENSION UNITS		SCALE		CURRENT REV DESC: OBSOLETE PART NO.				<b>molex</b>	
mm		2:1							
GENERAL TOLERANCES (UNLESS SPECIFIED)				EC NO: 632260		2020/01/30		COB LED HOLDER	
4 PLACES		±	±	DRWN: RPRABHUM		2020/02/28		28MM X 28MM SQUARE	
3 PLACES		±	±	CHK'D: GGA		2020/02/28			
2 PLACES		± 0.13	±	APPR: GGA		2020/02/28		PRODUCT CUSTOMER DRAWING	
1 PLACE		± 0.25	±	INITIAL REVISION:				DOCUMENT NUMBER	
0 PLACES		±	±	DRWN: MCOLE		2012/05/21		SD-180416-104	
ANGULAR TOL		± 0.5 °		APPR: DMCGOWAN		2012/06/22		DOC TYPE	DOC PART
DRAFT WHERE APPLICABLE MUST REMAIN WITHIN DIMENSIONS		THIRD ANGLE PROJECTION		DRAWING		SERIES		MATERIAL NUMBER	CUSTOMER
				C-SIZE		180416		SEE TABLE	GENERAL MARKET
								SHEET NUMBER	2 OF 3

DOCUMENT STATUS	P1	RELEASE DATE	2020/02/28	02:41:31
-----------------	----	--------------	------------	----------

COB MFG	TYPE	DIM 'X'	DIM 'Y'	DIM 'Z'	DIM 'D'
CITIZEN	CLL040, CLL042, CLU044, CLU046, CLU048	28.0	28.0	0.90	24.5
LEXTAR	PB38HO1.0	28.0	28.0	0.90	23.6
LUMILEDS	LUXEON 1211	28.0	28.0	1.00	21.0
SEOUL	ZC25, ZC40, ZC60	28.0	28.0	0.90	24.2
LG INNOTEK	40W/60W COB	28.0	28.0	0.82	24.5
VOSSLOH-SCHWABE	DMC12CC**D, DMC17CC**D	28.0	28.0	1.00	24.0
BRIDGELUX	V22	28.0	28.0	1.00	23.6



THIS DRAWING CONTAINS INFORMATION THAT IS PROPRIETARY TO MOLEX ELECTRONIC TECHNOLOGIES, LLC AND SHOULD NOT BE USED WITHOUT WRITTEN PERMISSION														
DIMENSION UNITS		SCALE		CURRENT REV DESC: OBSOLETE PART NO.				<b>molex</b>						
mm		2:1												
GENERAL TOLERANCES (UNLESS SPECIFIED)				EC NO: 632260		2020/01/30		COB LED HOLDER 28MM X 28MM SQUARE						
4 PLACES		±	±	DRWN: RPRABHUM		2020/02/28								
3 PLACES		±	±	CHK'D: GGA		2020/02/28								
2 PLACES		±	0.13	±	APPR: GGA		2020/02/28		PRODUCT CUSTOMER DRAWING					
1 PLACE		±	0.25	±	INITIAL REVISION:		DOCUMENT NUMBER		DOC TYPE	DOC PART	REVISION			
0 PLACES		±	±	±	DRWN: MCOLE		2012/05/21		SD-180416-104		PSD	001	D1	
ANGULAR TOL		±	0.5	°	APPR: DMCGOWAN		2012/06/22		MATERIAL NUMBER		CUSTOMER		SHEET NUMBER	
DRAFT WHERE APPLICABLE MUST REMAIN WITHIN DIMENSIONS				THIRD ANGLE PROJECTION		DRAWING		SERIES		SEE TABLE		GENERAL MARKET		3 OF 3

DOCUMENT STATUS	P1	RELEASE DATE	2020/02/28	02:41:31
12	11	10	9	8