

**PLEASE CHECK WWW.MOLEX.COM FOR LATEST PART INFORMATION**

**Part Number:** [130179-0740](#)  
**Status:** **Active**  
**Overview:** [Aero-Motive® Replacement Parts and Accessories](#)  
**Description:** Spring Cassette Assembly for 40E Balancers

**Documents:**

[RoHS Certificate of Compliance \(PDF\)](#)

**General**

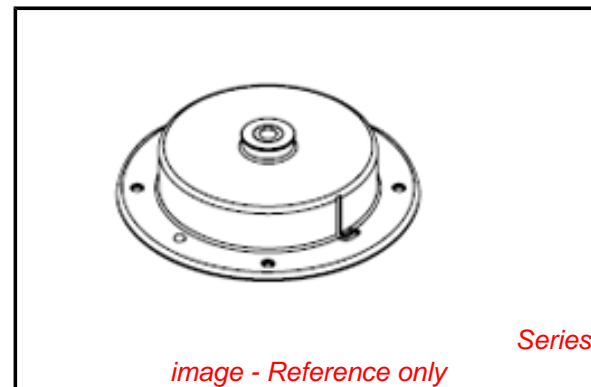
Product Family	Tool Supports
Series	<a href="#">130172</a>
Cable Length	N/A
Duty	N/A
Overview	<a href="#">Aero-Motive® Replacement Parts and Accessories</a>
Product Name	Aero-Motive®
Type	Replacement Part, Spring Assembly
UPC	78172500114
Woodhead	Yes

**Physical**

Cable Diameter	N/A
Cable Movement	N/A
Drum Lock	None
Mounting Style	N/A
Net Weight	2740.000/g
Packaging Type	Carton
Travel Distance	N/A
Weight Range	N/A
Wire/Cable Type	N/A

**Material Info**

Old Part Number	31659-40
-----------------	----------



**EU RoHS**

**RoHS Compliance**

**Not Required**

**REACH SVHC**

**Not Reviewed**

**Low-Halogen Status**

**Not Reviewed**

**China RoHS**

**Need more information on product environmental compliance?**

Email [productcompliance@molex.com](mailto:productcompliance@molex.com)  
 For a multiple part number RoHS Certificate of Compliance, [click here](#)

Please visit the [Contact Us](#) section for any non-product compliance questions.

**Search Parts in this Series**

[130172Series](#)