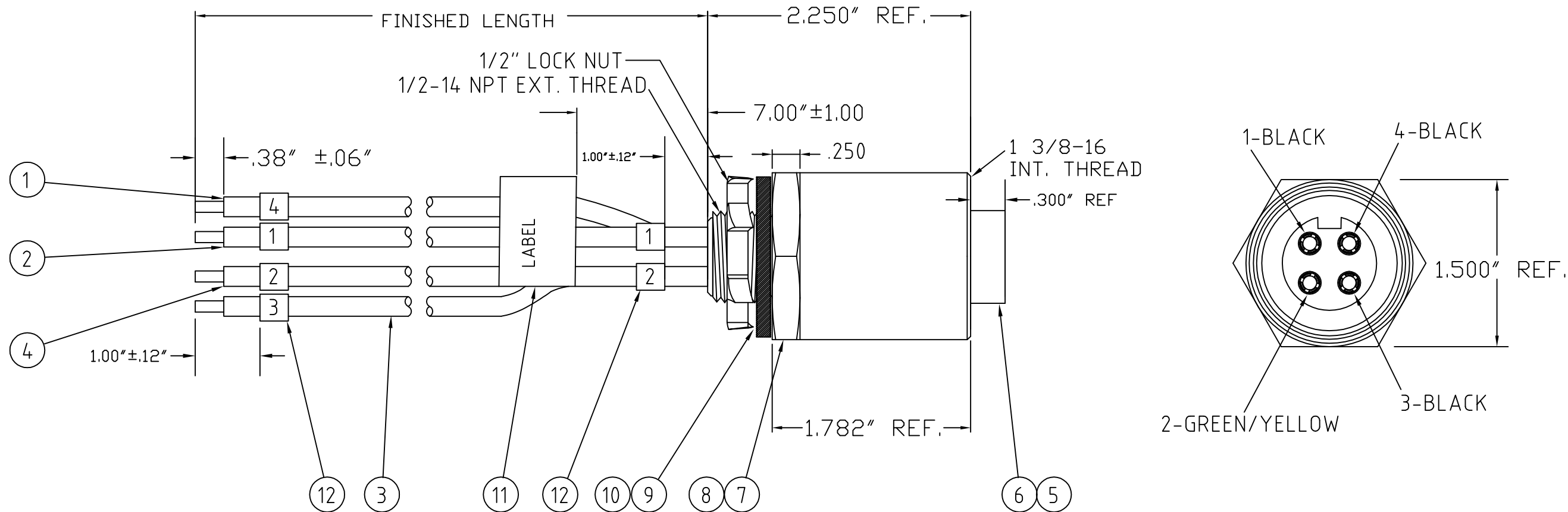


MATERIAL NUMBER	ENGINEERING NUMBER	LENGTH
1300660229	CR4000A76M010	1 METER
1300660230	CR4000A76M020	2 METERS
1300660231	CR4000A76M030	3 METERS
1300660235	CR4000A76M005	0.5 METER

- NOTES:
1. MATERIAL: SEE TABLE
 2. FINISHES: SEE TABLE
 3. ELECTRICAL SPECIFICATIONS: 600 VOLTS 25 AMPS
 4. WIRE IDENTIFIERS TO INDICATE PIN/SOCKET NUMBER.
 5. WIRE IDENTIFIERS LOCATED ONE INCH FROM BOTH ENDS OF WIRE



12	8	WIRE IDENTIFIER LABEL	VINYL	BLACK ON WHITE
11	1	FLAG LABEL	VINYL	YELLOW
10	1	LOCKNUT	STEEL	ZINC PLATE
9	1	GASKET	NEOPRENE	BLACK
8	A/R	EPOXY RESIN AND HARDENER		BLACK
7	1	RECEPTACLE SHELL	6061-T6 ALUMINUM	ANODIZED
6	1	FEMALE INSERT	PVC	BLACK
5	4	SOCKET CONTACT	COPPER	GOLD PLATED
4	SEE TABLE	#10-1 WIRE THHN	PVC JACKET	GREEN/YELLOW
3	SEE TABLE	#10-1 WIRE THHN	PVC JACKET	BLACK
2	SEE TABLE	#10-1 WIRE THHN	PVC JACKET	BLACK
1	SEE TABLE	#10-1 WIRE THHN	PVC JACKET	BLACK
ITEM	QTY	DESCRIPTION	MATERIAL	FINISH

EC NO: WNA2008-0256 DRWN: MODELL 2008/04/28 CHKD: JFMURPHY 2008/05/22 APPR: JFMURPHY 2008/05/22	QUALITY SYMBOLS ▽=0 ∇=0	GENERAL TOLERANCES (UNLESS SPECIFIED)		DIMENSION STYLE ----		SCALE ----	DESIGN UNITS ----	THIRD ANGLE PROJECTION
		4 PLACES	±---	±---	DRAWN BY	DATE	TITLE QC FEM 1/2" NPT RECPT 4 POLE BLACK PWR GR/YL GRND FOR GM	
		3 PLACES	±---	±---	MODELL	2008/04/29		
		2 PLACES	±---	±---	CHECKED BY	DATE		
1 PLACE	±---	±---	RDEROSS	2008/04/29				
ANGULAR ±----°		DRAFT WHERE APPLICABLE MUST REMAIN WITHIN DIMENSIONS		APPROVED BY DATE RDEROSS 2008/04/29		MATERIAL NO. SEE TABLE		DOCUMENT NO. SD-130066-005
SIZE B		THIS DRAWING CONTAINS INFORMATION THAT IS PROPRIETARY TO MOLEX INCORPORATED AND SHOULD NOT BE USED WITHOUT WRITTEN PERMISSION						
SHEET NO. 1 OF 1								