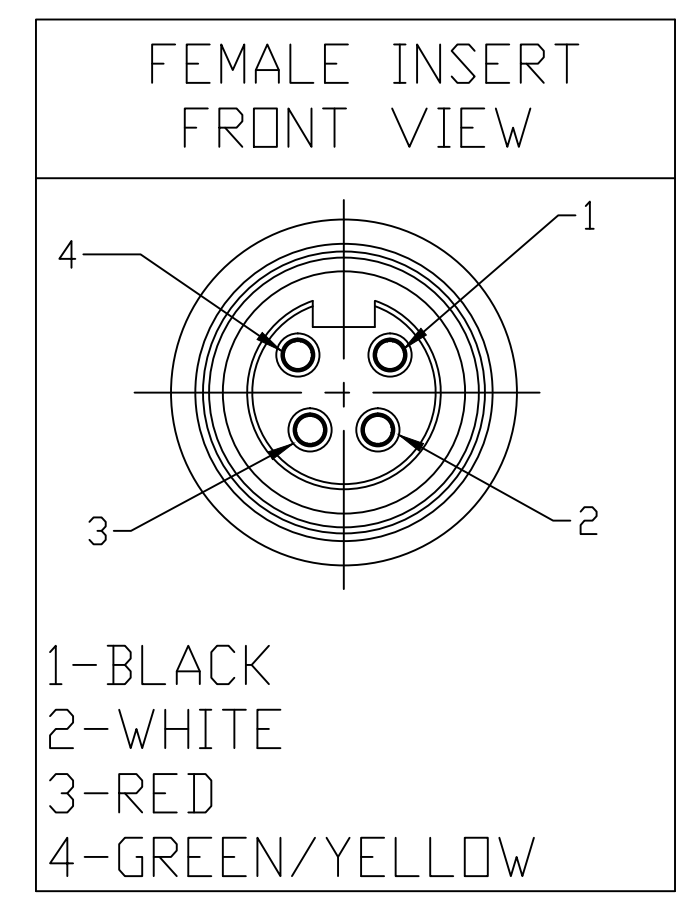
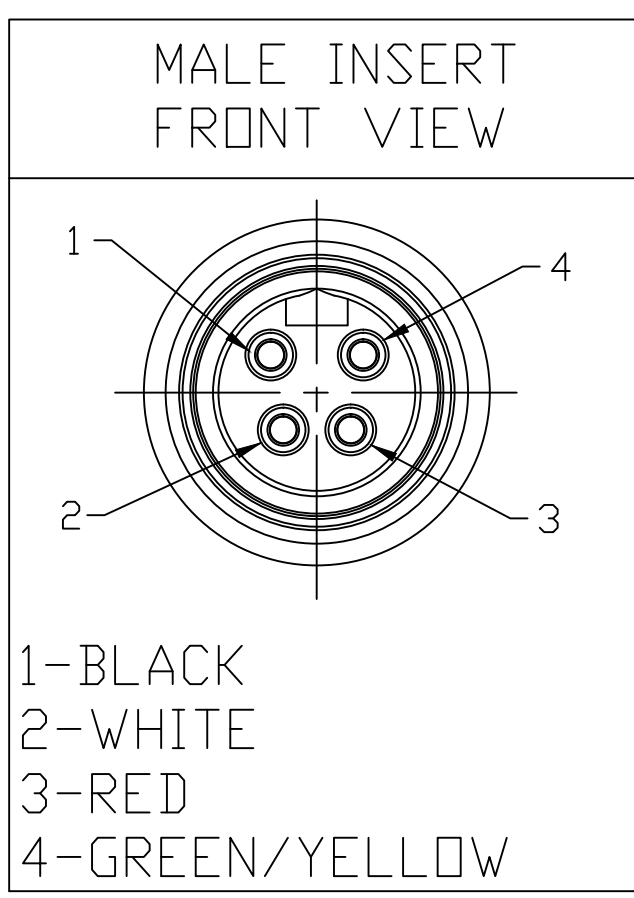


1	BLACK	1
2	WHITE	2
3	RED	3
4	GREEN/YELLOW	4

WIRING DIAGRAM



### 114030A46M020

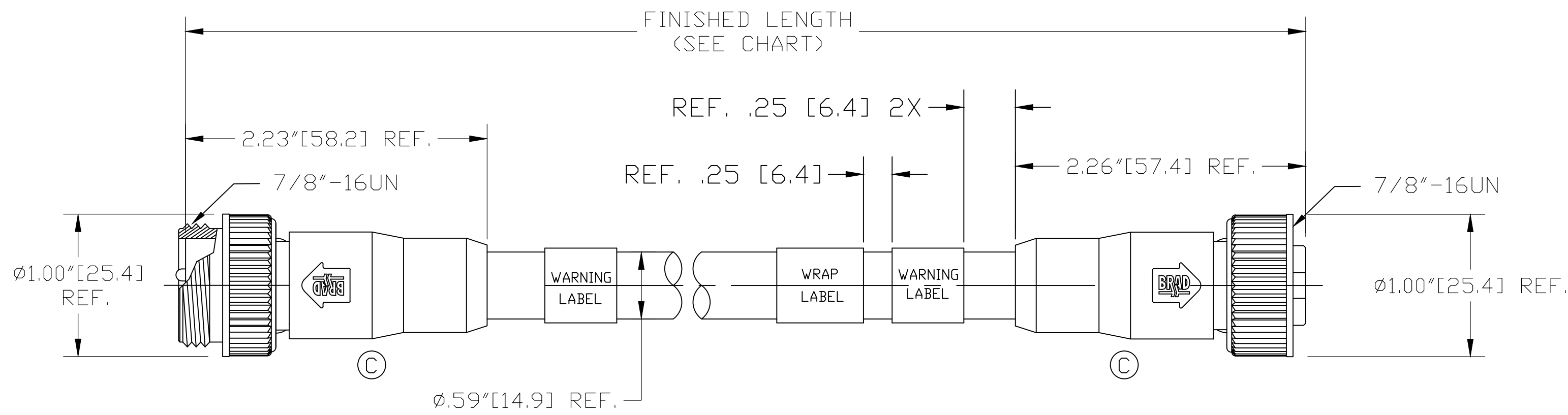
Cable type  
14/4 AWG TC/ST00W  
Gray PVC

cable length  
M020----2 Meter  
M100----10 Meter

PART NUMBER MATRIX

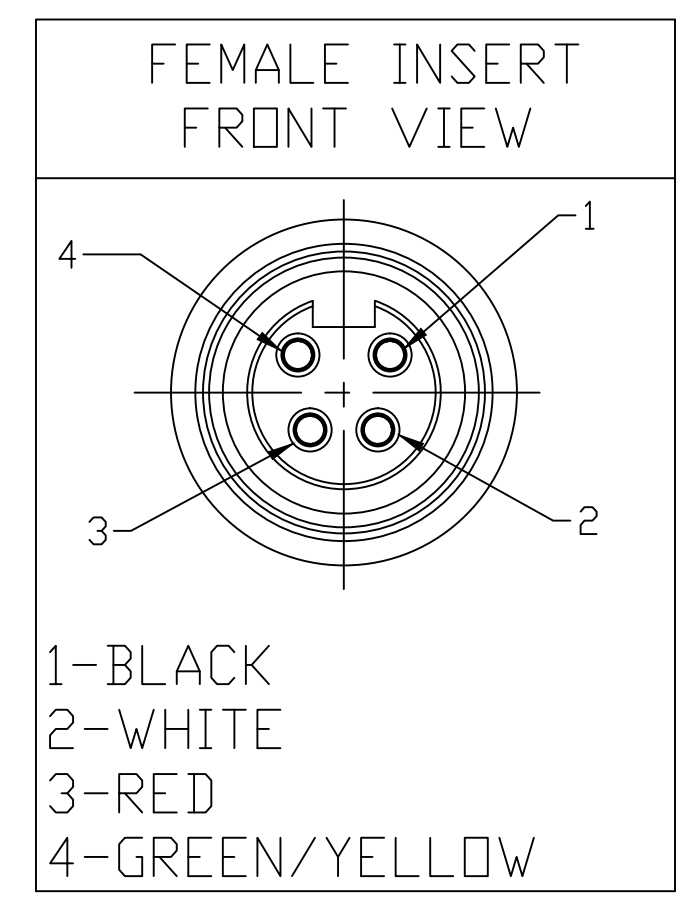
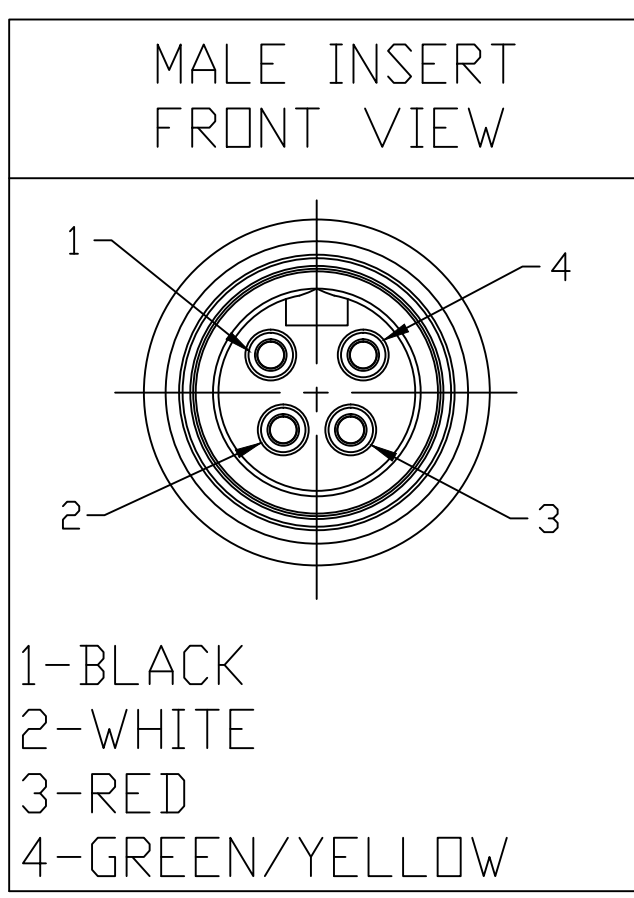
CONTACT:	GOLD/NICKEL OVER COPPER ALLOY
INSERT:	PVC, BLACK
COUPLING NUT:	ZINC DIE CAST, BLACK E-COATED
MOLDED BODY:	PVC, GRAY
VOLTAGE RATING:	600 VAC/VDC
AMPERAGE RATING:	15 AMPS
PROTECTION:	IP67
OPERATING TEMPERATURE:	-20°C TO 105°C
CERTIFICATIONS:	UL & CULUS LISTED, FILE NO. E258922

CHANGE OVERMOLD STYLE EC NO.: IPG2017-0361 DRWN: TWOLDEGE 10/3/16 CH'KD: M ZIELIN 2016/09/27 APPR: BWOODMAN2013/08/14	QUALITY SYMBOL ▽=0 ∇=0	GENERAL TOLERANCES (UNLESS SPECIFIED) 4 PLACES ±--- ±--- 3 PLACES ±--- ±--- 2 PLACES ±0.13 ±.01 1 PLACE ±0.3 ±--- ANGULAR ±.5°	DIMENSION STYLE IN/MM DRAWN BY DATE EBRACKEN 2013/06/18 CHECKED BY DATE RSTONE APPROVED BY DATE BWOODMAN 2013/08/14	SCALE --- DESIGN UNITS INCH THIRD ANGLE PROJECTION	TITLE MINI-CHANGE ASSEMBLY 4 POLE M/MFE #14/4 GRAY PVC	
		DRAFT WHERE APPLICABLE MUST REMAIN WITHIN DIMENSIONS	MATERIAL NO. SEE CHART	MOLEX INCORPORATED DOCUMENT NO. SD-130062-017	SHEET NO. 1 OF 1	
			SIZE C	THIS DRAWING CONTAINS INFORMATION THAT IS PROPRIETARY TO MOLEX INCORPORATED AND SHOULD NOT BE USED WITHOUT WRITTEN PERMISSION		



1	BLACK	1
2	WHITE	2
3	RED	3
4	GREEN/YELLOW	4

WIRING DIAGRAM



114030A46M020

Cable type  
14/4 AWG TC/ST00W  
Gray PVC

cable length  
M020----2 Meter  
M100----10 Meter

PART NUMBER MATRIX

CONTACT:	GOLD/NICKEL OVER COPPER ALLOY
INSERT:	PVC, BLACK
COUPLING NUT:	ZINC DIE CAST, BLACK E-COATED
MOLDED BODY:	PVC, GRAY
VOLTAGE RATING:	600 VAC/VDC
AMPERAGE RATING:	15 AMPS
PROTECTION:	IP67
OPERATING TEMPERATURE:	-20°C TO 105°C
CERTIFICATIONS:	UL & CULUS LISTED, FILE NO. E258922

CHANGE OVERMOLD STYLE EC NO.: IPG2017-0361 DRWN: TWOLDEGE 10/3/16 CHKD: M ZIELIN 2016/09/27 APPR: BWOODMAN2013/08/14	QUALITY SYMBOL ▽=0 ◻=0	GENERAL TOLERANCES (UNLESS SPECIFIED) 4 PLACES ±--- ±--- 3 PLACES ±--- ±--- 2 PLACES ±0.13 ±.01 1 PLACE ±0.3 ±--- ANGULAR ±.5°	DIMENSION STYLE IN/MM DRAWN BY DATE EBRACKEN 2013/06/18 CHECKED BY DATE RSTONE APPROVED BY DATE BWOODMAN 2013/08/14	SCALE --- DESIGN UNITS INCH THIRD ANGLE PROJECTION	TITLE MINI-CHANGE ASSEMBLY 4 POLE M/MFE #14/4 GRAY PVC	
	MATERIAL NO. SEE CHART	DOCUMENT NO. SD-130062-017	SHEET NO. 1 OF 1			
	DRAFT WHERE APPLICABLE MUST REMAIN WITHIN DIMENSIONS			THIS DRAWING CONTAINS INFORMATION THAT IS PROPRIETARY TO MOLEX INCORPORATED AND SHOULD NOT BE USED WITHOUT WRITTEN PERMISSION		
	SIZE C			MOLEX INCORPORATED		
	REV C			MOLEX		