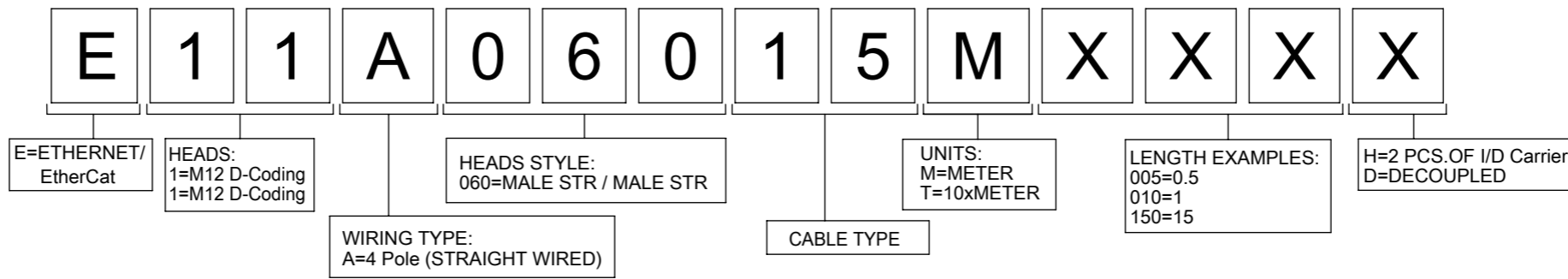


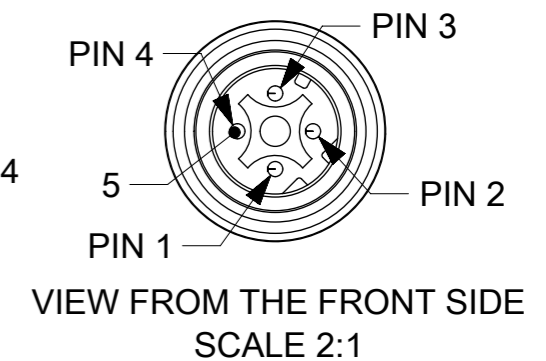
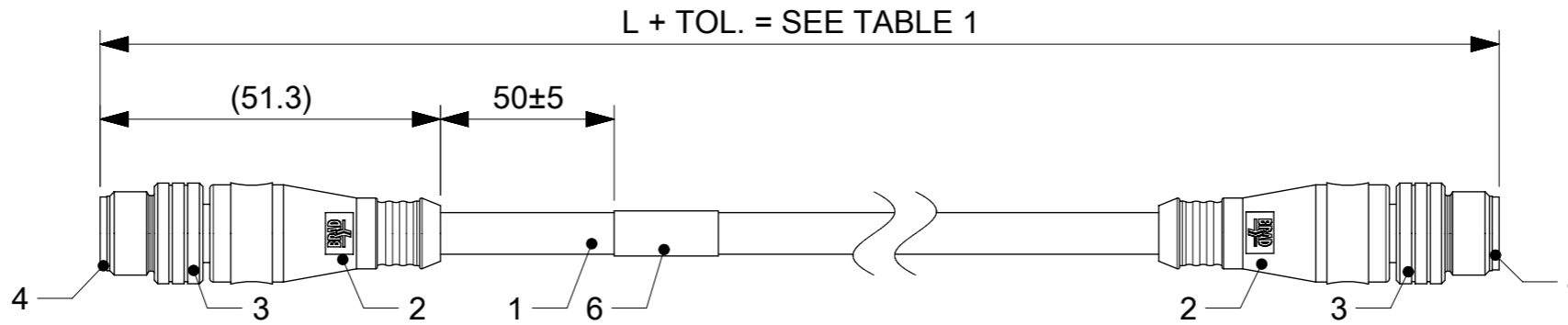
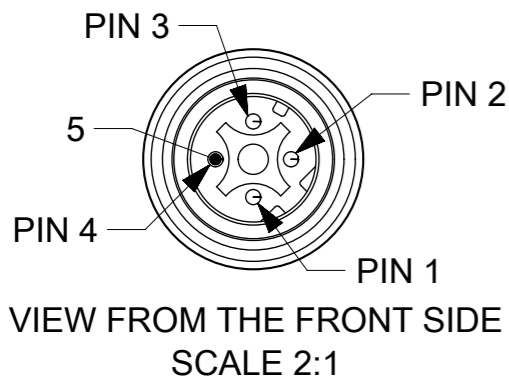
CABLE SPECIFICATION

CONDUCTOR:
 MATERIAL: TINED COPPER
 SECTION: 26AWG
INSULATION:
 COMPOUND: POLYOLEFIN
JACKET:
 COMPOUND: PVC
 COLOR: TEAL
 NOM. DIAMETER: 5.99mm
 TEMPERATURE RATING:
 -20°C TO +75°C
 VOLTAGE RATING MAX: 300V RMS
 DIELECTRIC WITHSTANDING MIN: 1500V RMS

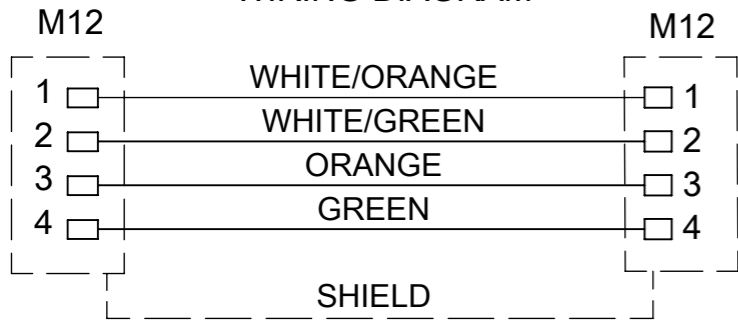
PART No MATRIX



OPCJONALNIE
OPTIONS



WIRING DIAGRAM



OVER	UP TO AND INCLUDING	TOLERANCE (+)
0	305	+19
305	915	+45
915	1830	+56
1830	3660	+89
3660	7320	+165
7320	14640	+317
14640	30500	+610
30500	>	+2% OF LENGTH

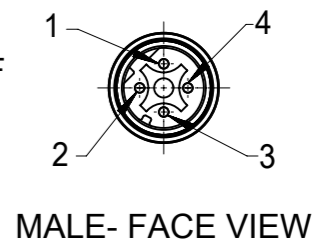
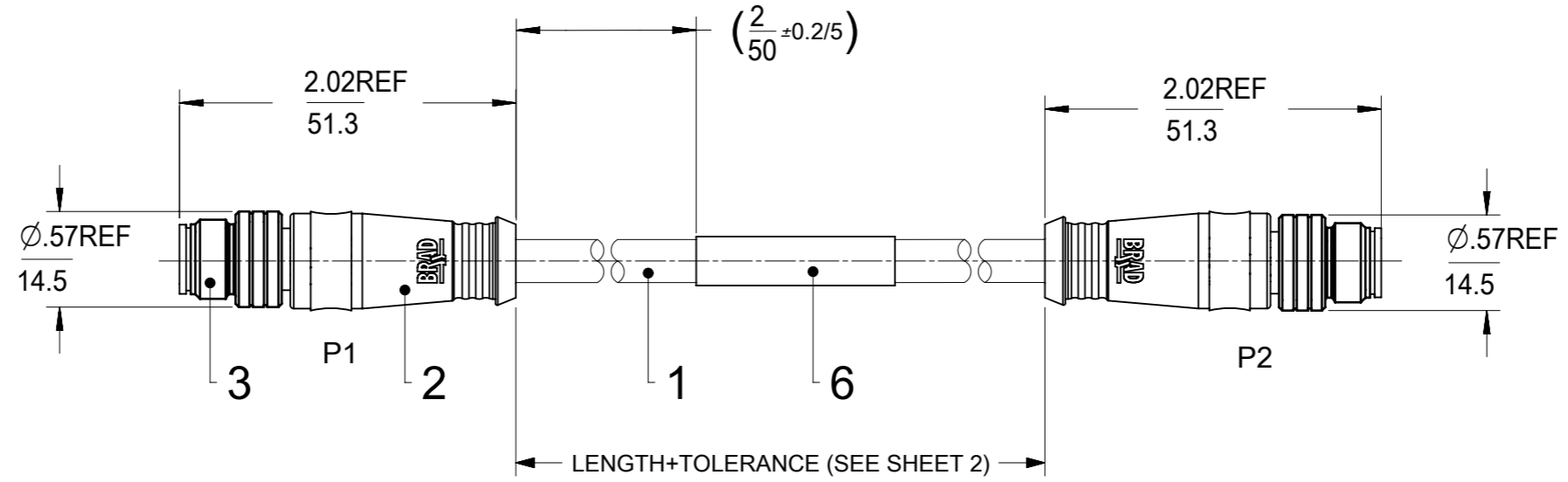
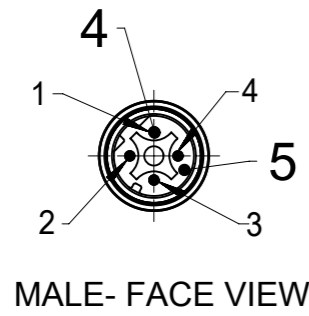
BILL OF MATERIALS

ITEM	QTY.	DESCRIPTION	MATERIAL	FINISH
6	1	LABEL WH	-	-
5	8	CONTACT MA	COPPER ALLOY	GOLD OVER NICKEL
4	2	INSERT MA 4P DC BK	PUR	-
3	2	COUPLING NUT	BRASS	NICKEL
2	-	MOULDING MATERIAL BK	TBU	-
1	-	CABLE 4x26AWG CAT5E TEAL	PVC	-

TABLE 1

MOLEX PN	ENGINEERING No	L [mm]	MOLEX PN	ENGINEERING No	L [mm]	MOLEX PN	ENGINEERING No	L [mm]
1300480009	E11A06015M030	3000	1300488109	E11A06015M800	80000	1300488165	E11A06015M420	42000
1300480010	E11A06015M200	20000	1300488113	E11A06015M350	35000	1300488166	E11A06015M450	45000
1300480011	E11A06015M400	40000	1300488125	E11A06015M110	11000	1300488167	E11A06015M460	46000
1300480122	E11A06015M010	1000	1300488126	E11A06015M120	12000	1300488168	E11A06015M540	54000
1300480123	E11A06015M010D	1000	1300488127	E11A06015M140	14000	1300488169	E11A06015M550	55000
1300480124	E11A06015M020	2000	1300488128	E11A06015M060	6000	1300488170	E11A06015M570	57000
1300480125	E11A06015M020D	2000	1300488145	E11A06015M070	7000	1300488171	E11A06015M610	61000
1300480126	E11A06015M050	5000	1300488146	E11A06015M080	8000	1300488172	E11A06015M650	65000
1300480128	E11A06015M100	10000	1300488147	E11A06015M090	9000	1300488173	E11A06015M700	70000
1300480130	E11A06015M150	15000	1300488148	E11A06015M130	13000	1300488174	E11A06015M750	75000
1300480132	E11A06015M300	30000	1300488159	E11A06015M005	500	1300488175	E11A06015M850	85000
1300480303	E11A06015M500	50000	1300488160	E11A06015M180	18000	1300488176	E11A06015M900	90000
1300480304	E11A06015M680	68000	1300488161	E11A06015M230	23000	1300488177	E11A06015M950	95000
1300488007	E11A06015M250	25000	1300488162	E11A06015M270	27000	1300480120	E11A06015M006	600
1300488012	E11A06015M400	4000	1300488163	E11A06015M340	34000	1300488210	E11A06015M003	300
1300488108	E11A06015M600	60000	1300488164	E11A06015M380	38000			

SYMBOLS	THIS DRAWING CONTAINS INFORMATION THAT IS PROPRIETARY TO MOLEX ELECTRONIC TECHNOLOGIES, LLC AND SHOULD NOT BE USED WITHOUT WRITTEN PERMISSION		CURRENT REV DESC:		molex
	DIMENSION UNITS	SCALE			
▽ = 0	mm	2:1			CSE M12 ETH 4P DC MA MA STR PVC XM DE
▽ = 0	GENERAL TOLERANCES (UNLESS SPECIFIED)				
▽ = 0	ANGULAR TOL ± °				PRODUCT CUSTOMER DRAWING
▽ = 0	4 PLACES ±		EC NO: 625781		
▽ = 0	3 PLACES ±		DRWN: AKONDRACIUK 2019/10/16		DOCUMENT NUMBER
▽ = 0	2 PLACES ±		CHK'D: DSTACHOWIAK 2019/10/16		
▽ = 0	1 PLACE ±		APPR: DSTACHOWIAK 2019/10/16		DOC TYPE
▽ = 0	0 PLACES ±		INITIAL REVISION:		DOC PART
▽ = 0	DRAFT WHERE APPLICABLE MUST REMAIN WITHIN DIMENSIONS		DRWN: DSTACHOWIAK 2017/06/26		REVISION
▽ = 0	THIRD ANGLE PROJECTION		APPR: MIWASIECZKO 2017/06/28		A1
		DRAWING	SERIES	MATERIAL NUMBER	CUSTOMER
		A3-SIZE	130048	SEE TABLE 1	GENERAL MARKET
				SHEET NUMBER	
				1 OF 1	



ADDITIONAL CABLE PARAMETERS

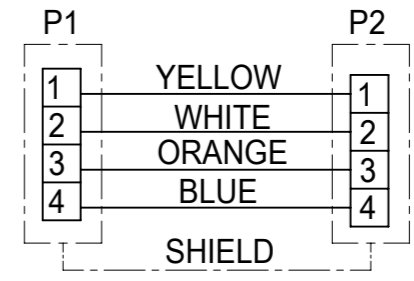
PHYSICAL CHARACTERISTICS:	
CONDUCTOR PAIR SIZE	#22 (7 X #30) BARE COPPER ALLOY
WIRE CROSS SECTION	0.34mm ² (NOM.)
INSULATION TYPE	POLYOLEFIN INSULATION
FOIL SHIELD	PLASTIC/ALUMINIUM FOIL WITH FOIL OUT
BRAID SHIELD	TINNED COPPER BRAID WITH MIN. 85% COVERAGE
OUTSIDE DIAMETER	∅ 6.7mm (.264")
JACKET INSULATION	GREEN PUR
PROFINET CABLE STYLE	TYPE C

ENVIRONMENTAL CHARACTERISTICS:	
FLAME RESISTANCE	FT1 APPROVED
AGENCY CERTIFICATIONS	UL AND CSA
OPERATION TEMPERATURE	-20°C TO 60°C
STORAGE TEMPERATURE	-40°C TO 80°C
HALOGEN FREE	IEC 60754-1
SILICONE FREE	YES
CFC-FREE	YES

MECHANICAL CHARACTERISTICS FOR C-TRACK APPLICATIONS:	
MIN. BENDING RADIUS	15xCABLE DIAMETER
OPERATING WAY	5M OF TRAVEL
SPEED	200M/Min.
MAX. C-TRACK CYCLES	5 MILLION
ACCELERATION	MAX. 2m/s
WELD SLAG RESISTANCE	NO TEST RESULTS AVAILABLE

IMPRINT: X N X 2x2xAWG22/7-9H(ST)C11Y INDUSTRIAL ETHERNET
 PROFINET TYP C E48408 cULus AWM STYLE 20236
 AWM I/II A/B 80°C 30 V FT1

WIRING DIAGRAM



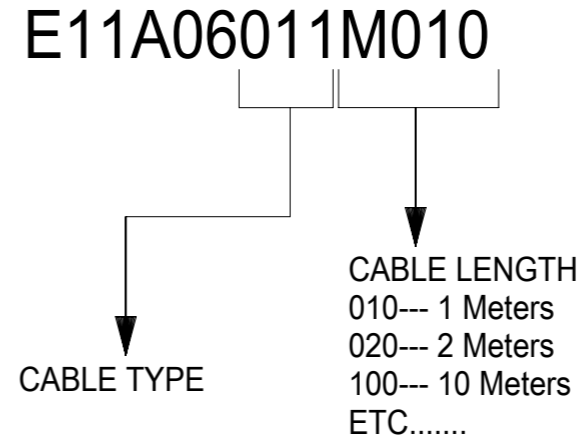
NOTES:

- 1) MATERIAL: SEE TABLE
- 2) FINISHES: SEE TABLE
- 3) CABLE: #22/4 SHIELDED PUR
- 4) ELECTRICAL DATA:
 ACCORDING TO CAT5e ETHERNET STANDARD
 MAX. VOLTAGE: 30V
 MAX. CURRENT 1.5A
- 5) ENVIRONMENTAL:
 PROTECTION IP67
 TEMPERATURE RANGE: -20°C TO 60°C
- 6) WRAP LABEL IS MARKED WITH P/N, DATE CODE,
 VOLTAGE & AMPERAGE.
- 7) ASSEMBLY IS RoHS COMPLIANT.

ITEM	QTY.	DESCRIPTION	MATERIAL	FINISH/COLOR
6	1	LABEL 50x69.8	VINYL	WHITE
5	2	INSERT	PUR	BLACK
4	8	PIN CONTACT	COPPER ALLOY	GOLD PLATED
3	2	M12 COUPLING NUT	BRASS	NICKEL
2	2	OVERMOLD	PUR	BLACK
1	1	ETHERNET CABLE-CAT5E	PUR JACKET	GREEN

SYMBOLS		THIS DRAWING CONTAINS INFORMATION THAT IS PROPRIETARY TO MOLEX ELECTRONIC TECHNOLOGIES, LLC AND SHOULD NOT BE USED WITHOUT WRITTEN PERMISSION	
▽ = 0	DIMENSION UNITS	SCALE	CURRENT REV DESC: LABEL + CABLE LENGTH TOL. UPDATED
▽ = 0	INCH/MM	1:1	
▽ = 0	GENERAL TOLERANCES (UNLESS SPECIFIED)		
▽ = 0	ANGULAR TOL	± 0.5°	
▽ = 0	4 PLACES	±	EC NO: 632824
▽ = 0	3 PLACES	±	DRWN: RSCHIEBER 2020/02/17
▽ = 0	2 PLACES	± 0.13	CHK'D: RSILLER 2020/05/12
▽ = 0	1 PLACE	± 0.25	APPR: RSILLER 2020/05/12
▽ = 0	0 PLACES	±	INITIAL REVISION:
▽ = 0	DRAFT WHERE APPLICABLE MUST REMAIN WITHIN DIMENSIONS		
▽ = 0	THIRD ANGLE PROJECTION	DRAWING	SERIES
		A3-SIZE	120108
DOCUMENT NUMBER		DOCUMENT TYPE	
		DOC PART	REVISION
SD-120108-041		PSD	001 F1
MATERIAL NUMBER		CUSTOMER	
SEE SHEET 2		GENERAL MARKET	
SHEET NUMBER		1 OF 2	

MATERIAL NO.	ENGINEERING NO.
1201080236	E11A06011M010
1201080199	E11A06011M020
1201080237	E11A06011M030
1201080213	E11A06011M040
1201080238	E11A06011M050
1201080239	E11A06011M060
1201080240	E11A06011M070
1201080241	E11A06011M080
1201080242	E11A06011M090
1201080243	E11A06011M100
1201080244	E11A06011M120
1201080245	E11A06011M140
1201080246	E11A06011M150
1201080247	E11A06011M180
1201080248	E11A06011M200
1201080249	E11A06011M240
1201088256	E11A06011M250
1201080250	E11A06011M300
1201088257	E11A06011M350
1201080281	E11A06011M400
1201080251	E11A06011M500
1201080282	E11A06011M600
1201080283	E11A06011M700
1201080287	E11A06011M750
1201080284	E11A06011M800
1201080288	E11A06011M900
1201088201	E11A06011T100



CABLE LENGTH TOLERANCES	
LENGTH	TOLERANCE
0m-1m	+40 mm
>1m-5m	+60 mm
>5m-10m	+80 mm
>10m-20m	+140 mm
>20m-30m	+160 mm
>30m	+1% length

SYMBOLS ▽ = 0 ▽ = 0 ▽ = 0 ▽ = 0 ▽ = 0 ▽ = 0 ▽ = 0 ▽ = 0 ▽ = 0 ▽ = 0	THIS DRAWING CONTAINS INFORMATION THAT IS PROPRIETARY TO MOLEX ELECTRONIC TECHNOLOGIES, LLC AND SHOULD NOT BE USED WITHOUT WRITTEN PERMISSION DIMENSION UNITS: INCH/MM SCALE: 1:1	CURRENT REV DESC: LABEL + CABLE LENGTH TOL. UPDATED EC NO: 632824 DRWN: RSCHIEBER 2020/02/17 CHK'D: RSILLER 2020/05/12 APPR: RSILLER 2020/05/12	 MIC 4P M/MP ST/ST D-CODE PRODUCT CUSTOMER DRAWING	
	GENERAL TOLERANCES (UNLESS SPECIFIED) ANGULAR TOL ± 0.5° 4 PLACES ± 3 PLACES ± 2 PLACES ± 0.13 1 PLACE ± 0.25 0 PLACES ±	INITIAL REVISION: DRWN: BRUPERT 2011/11/23 APPR: JFMURPHY 2012/04/17		DOCUMENT NUMBER: SD-120108-041 DOC TYPE: PSD DOC PART: 001 REVISION: F1
	DRAFT WHERE APPLICABLE MUST REMAIN WITHIN DIMENSIONS THIRD ANGLE PROJECTION 	DRAWING: A3-SIZE SERIES: 120108		MATERIAL NUMBER: SEE SHEET 2 CUSTOMER: GENERAL MARKET SHEET NUMBER: 2 OF 2