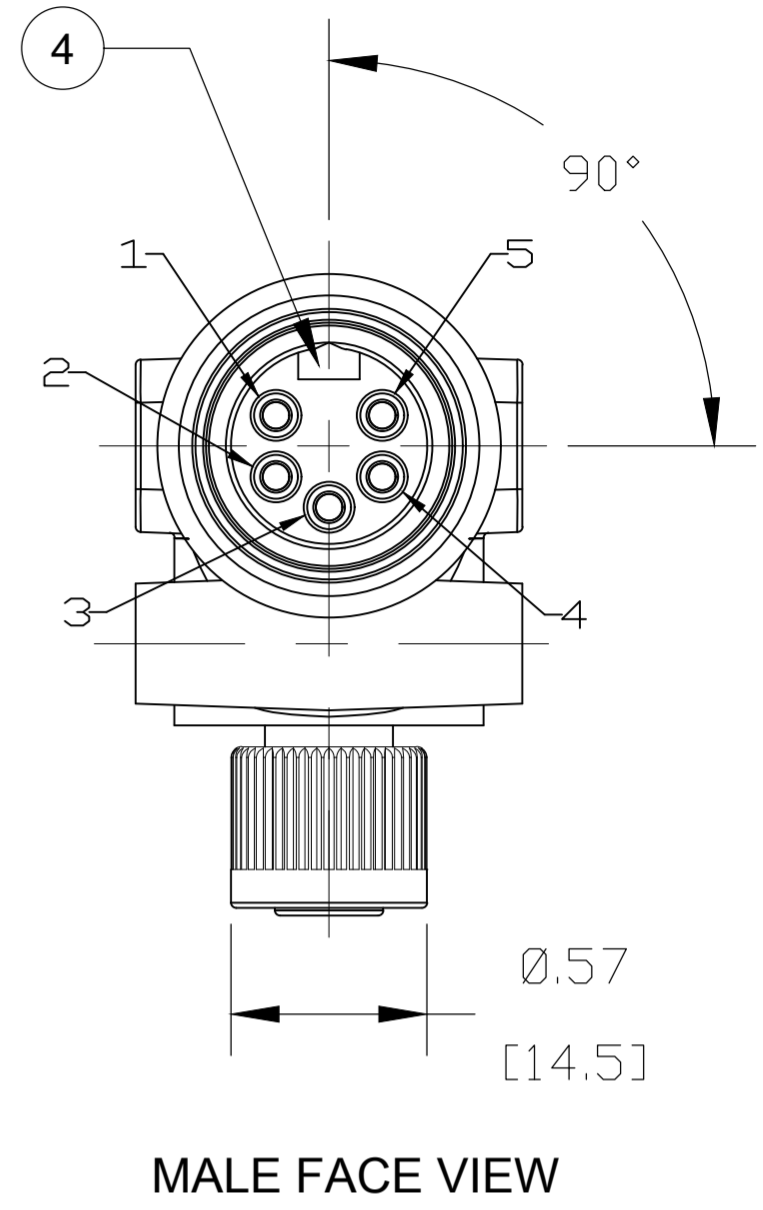
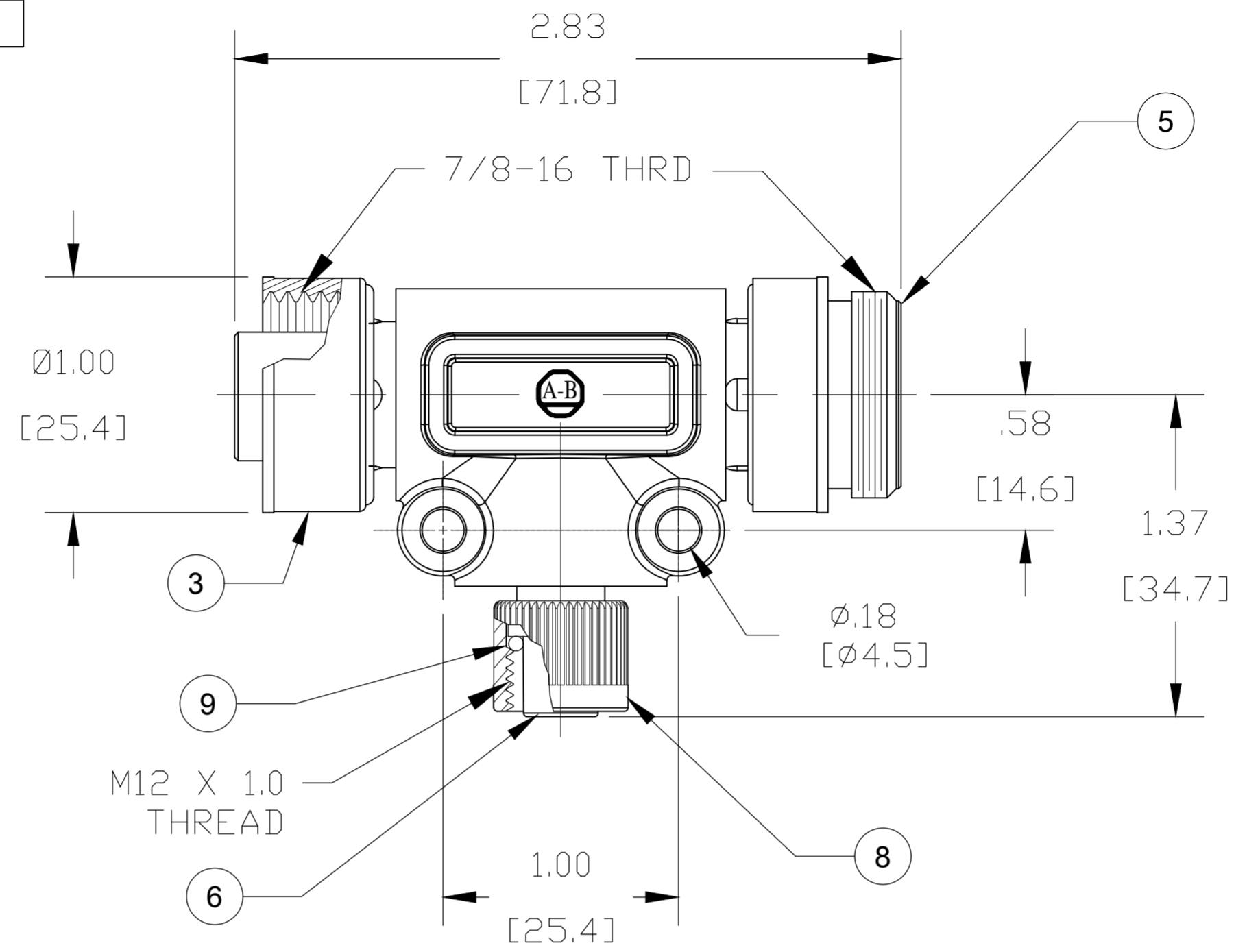
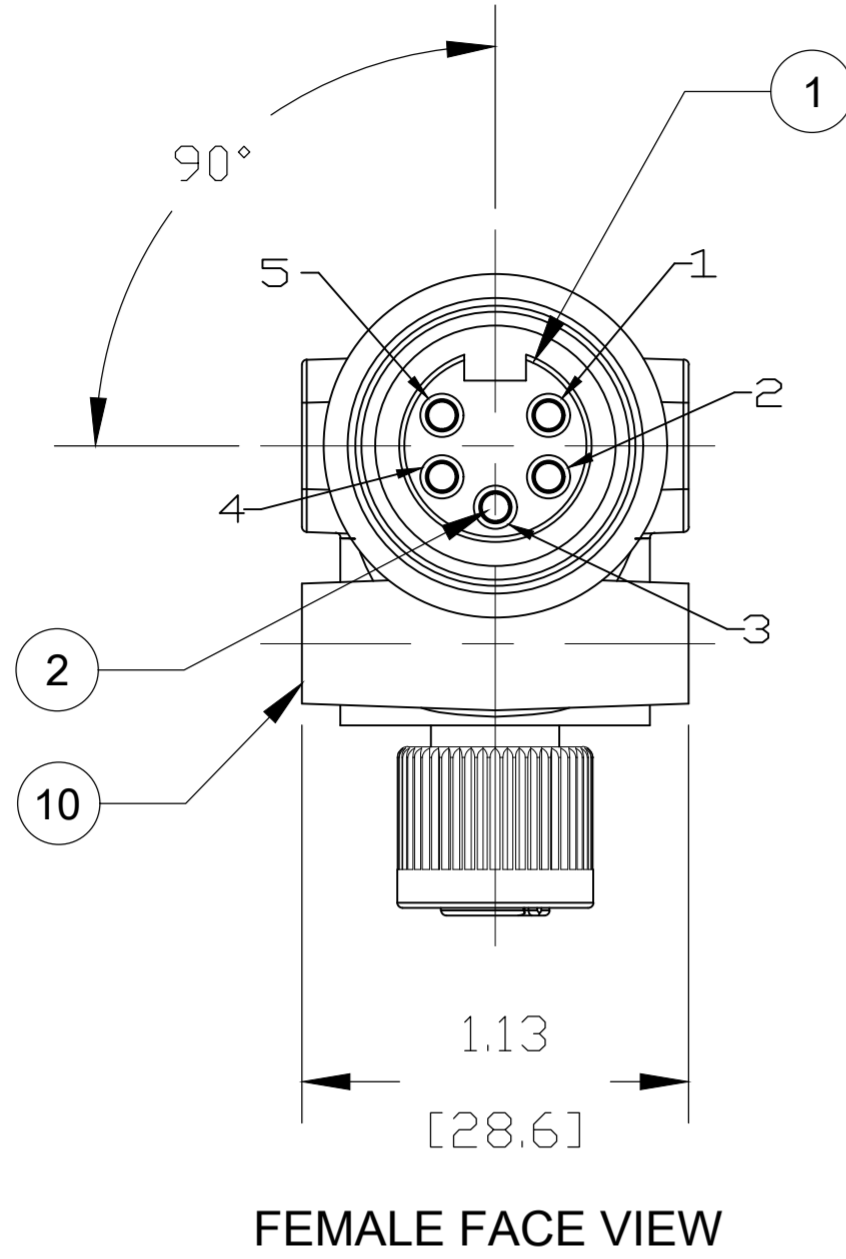
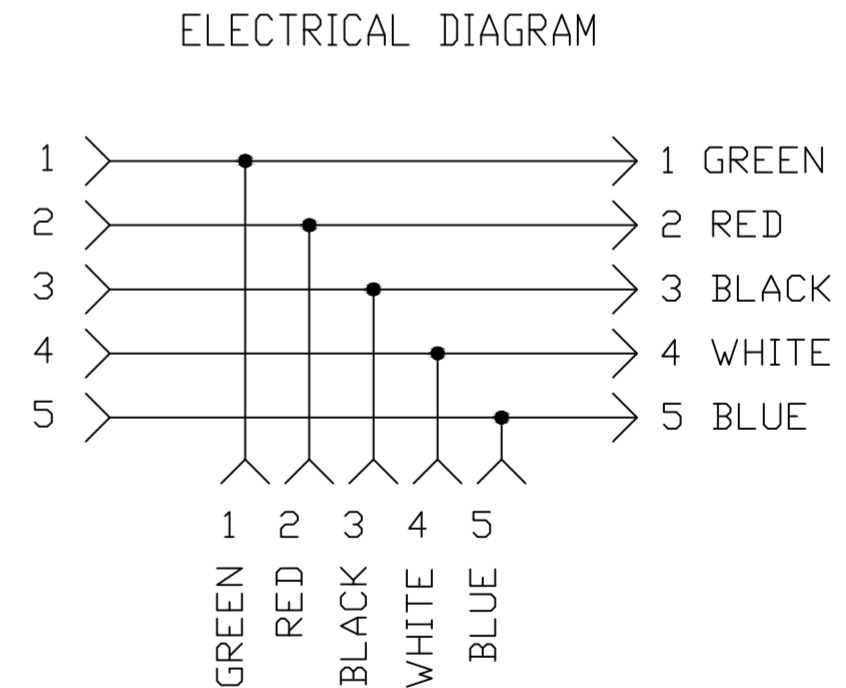
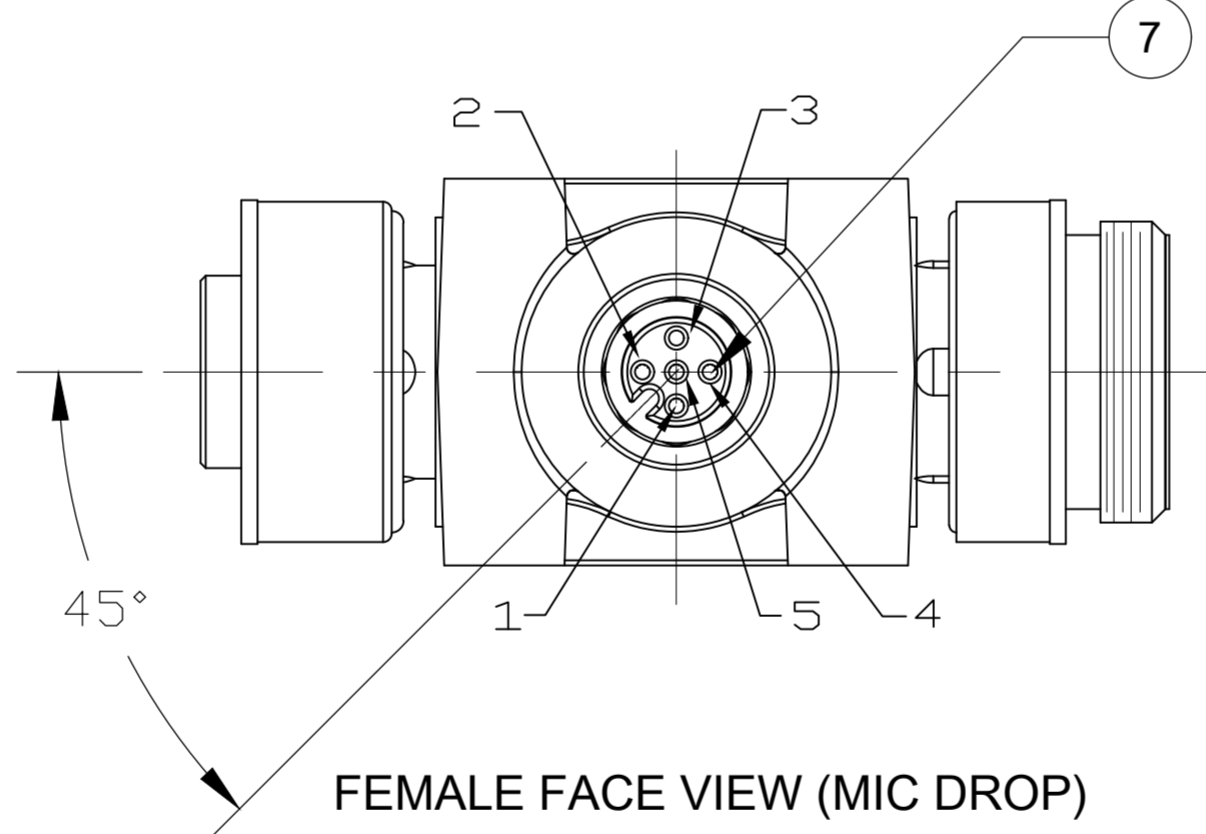


MOLEX P/N	ALLEN BRADLEY P/N	COUPLING NUT MATERIAL & FINISH
1300390341	DND3020	DIE CAST ZINC, BLACK E-COAT
1300390342	DND3020SS	ST. STEEL, PASSIVATED



- NOTES:**
- MATERIAL: AS NOTED
  - FINISH: AS NOTED
  - ELECTRICAL:  
VOLTAGE: 250VDC  
CURRENT: ((TRUNK) 10A  
CURRENT (DROP): 4A
  - TEMP RATING: -25°C TO +105°C
  - PROTECTION: IP67 (WHEN MATED)
  - COUPLING THREADS: AS NOTED
  - UL RECOGNIZED FILE: E152210  
CSA CERTIFIED FILE: LR6837
  - ALL DIMS ARE FOR REFERENCE UNLESS TOLERANCED OR NOTED OTHERWISE



ITEM	DESCRIPTION	MATERIAL	FINISH
10	OVERMOLD	TPC	GRAY
9	O-RING	NITRILE	RED
8	MIC FEMALE COUPLING	SEE P/N CHART	SEE P/N CHART
7	CONTACT SOCKET	COPPER ALLOY	GOLD PLATED
6	MIC FEM INSERT 5P	NYLON	BLACK
5	MC COUPLING, MALE	SEE P/N CHART	SEE P/N CHART
4	MC MALE INSERT 5P	TPC	GRAY
3	MC COUPLING, FEMALE	SEE P/N CHART	SEE P/N CHART
2	CONTACT SKT/PIN	COPPER ALLOY	GOLD PLATED
1	MC FEMALE INSERT 5P	TPC	GRAY

REF. THIS DRAWING SUPERSEDES SD-130039-010, REV-B

<b>FUNCTIONAL SYMBOLS</b> FA=0 FE=0 FP=0 <b>DIVISIONAL SYMBOLS</b>	THIS DRAWING CONTAINS INFORMATION THAT IS PROPRIETARY TO MOLEX ELECTRONIC TECHNOLOGIES, LLC AND SHOULD NOT BE USED WITHOUT WRITTEN PERMISSION		CURRENT REV DESC: REDRAWN, REPLACES SD-130039-010, UPDATE NOTES		
	DIMENSION UNITS: INCH/MM SCALE: 1:1	<b>GENERAL TOLERANCES (UNLESS SPECIFIED)</b>			
	4 PLACES ± .004 ± .004 3 PLACES ± .003 ± .003 2 PLACES ± .002 ± .002 1 PLACE ± .001 ± .001 0 PLACES ± .000 ± .000	mm INCH ± .004 ± .004 ± .003 ± .003 ± .002 ± .002 ± .001 ± .001	EC NO: 637393 DRWN: RSTONE 2020/05/08 CHK'D: ALEON01 2020/05/14 APPR: BWOODMAN 2020/05/14		
	ANGULAR TOL ± .000 ° DRAFT WHERE APPLICABLE MUST REMAIN WITHIN DIMENSIONS	THIRD ANGLE PROJECTION	DRAWING: C-SIZE SERIES: 130039	MINI-CHANGE 5P TEE WITH MIC DROP DEVICE-NET PRODUCT CUSTOMER DRAWING	
DOCUMENT STATUS: P1 RELEASE DATE: 2020/05/14 23:52:43	MATERIAL NUMBER: SEE P/N CHART CUSTOMER:	DOCUMENT NUMBER: 1300390341 DOC TYPE: PSD DOC PART: 000 REVISION: A	SHEET NUMBER: 1 OF 1		