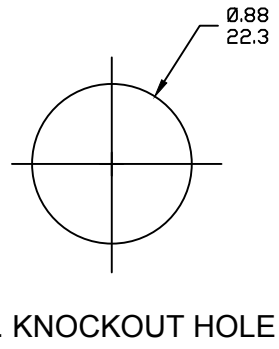


(B1) CHART

PART NO.	ENGINEERING NO.	FINISHED LENGTH
1300150117	3R9004A20A120	12IN
1300150029	3R1004A20F020	2.0FT
1300150070	3R2004A20M005	0.5M

- NOTES:
- MATERIAL: AS NOTED
  - FINISH: AS NOTED
  - ELECTRICAL:
    - VOLTAGE: 320V PER IEC60664  
600V PER UL2238
    - CURRENT: 9 POLE: 7A  
10 POLE: 7A  
12 POLE: 5A
  - TEMP RATING: -20°TO +105°C
  - PROTECTION: IP67 (WHEN MATED)
  - UL RECOGNIZED, FILE: E152210
  - DIMS ARE FOR REFERENCE UNLESS OTHERWISE NOTED



PART NUMBER LEGEND

3R1004A20F0101

COUPLING: BLANK= STD (SEE BOM)  
1= 303 STAINLESS ST.

LENGTH:  
 A120= 12 INCHES  
 F001= .1 FT  
 F020= 2 FT  
 F200= 20 FT

M005= 0.5 METER  
 M010= 1 METER  
 M100= 10 METER

POLES  
 9= 9 POLES  
 1=10 POLES  
 2=12 POLES

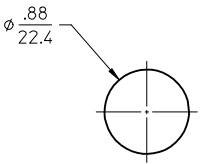
(B1) CABLE LENGTH TOLERANCES

>.3M [1FT]: +19mm-0 [+1.75in-0]
.3 - .9M [1 - 3FT]: +44.5mm-0 [+1.75in-0]
.9 - 1.8M [3 - 6FT]: +55.6mm-0 [+2.19in-0]
1.8 - 3.7M [6 - 12FT]: +88.9mm-0 [+3.50in-0]
3.7 - 7.3M [12 - 24FT]: +165.1mm-0 [+6.50in-0]
7.3-14.6M [24 - 48FT]: +317.5mm-0 [+12.50in-0]
14.6 - 30.5M [48-100FT]: +622.3mm-0 [+24.50in-0]
OVER 30M [100FT] +2% OF FINISHED LENGTH

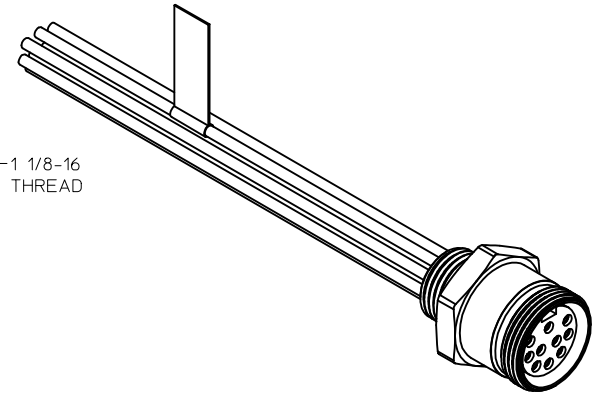
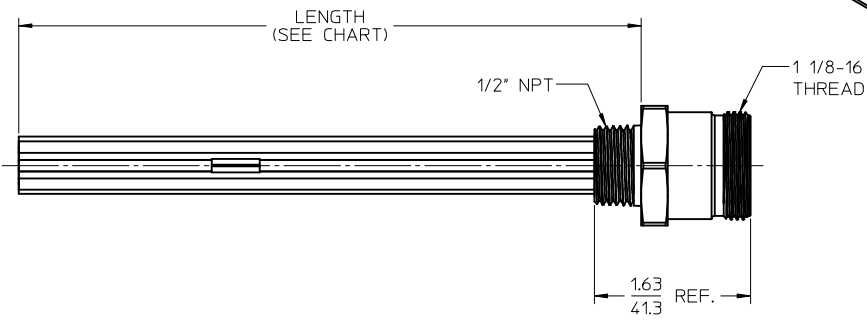
ITEM	DESCRIPTION	MATERIAL	FINISH
6	FLAG LABEL	VINYL	BLACK/YELLOW
5	POTTING MATERIAL	EPOXY	
4	WIRE, 16 AWG UL (1015)	PVC INSULATION	SEE CHART
3	CONTACT SOCKET	COPPER ALLOY	GOLD PLATED
2	FEMALE INSERT (C-SIZE)	PVC	YELLOW
1	RECEPTACLE SHELL	ZINC DIE-CAST	BLACK

REVD IEC VOLTS; ADD UL FILE, CHART & TOOLS EC NO: IPG2017-1018 DRWN: RSTONE 5/11/17 CHKD: M ZIELIN 2017/05/08 APPR: BWOODMAN 2016/08/19	QUALITY SYMBOLS	GENERAL TOLERANCES (UNLESS SPECIFIED)		DIMENSION STYLE		SCALE	DESIGN UNITS	THIRD ANGLE PROJECTION		
	▽=0 ∇=0	mm	INCH	IN/MM		---	INCH	TITLE		
		4 PLACES	±---	±---	DRAWN BY	DATE	<b>MINI-CHANGE RECEPTACLE 9, 10 &amp; 12 POLE, FEMALE 16 AWG</b>			
		3 PLACES	±---	±---	RSTONE	2016/07/11				
	2 PLACES	±---	±---	CHECKED BY	DATE	<b>MOLEX INCORPORATED</b>				
	1 PLACE	±---	±---	K COX	2016/12/15					
	ANGULAR ±2°			APPROVED BY	DATE	DOCUMENT NO.		SHEET NO.		
	DRAFT WHERE APPLICABLE MUST REMAIN WITHIN DIMENSIONS			TWOEDGE	2016/08/19	SD-130015-026		1 OF 1		
B1				MATERIAL NO.	THIS DRAWING CONTAINS INFORMATION THAT IS PROPRIETARY TO MOLEX INCORPORATED AND SHOULD NOT BE USED WITHOUT WRITTEN PERMISSION					

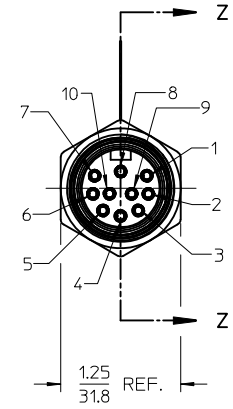
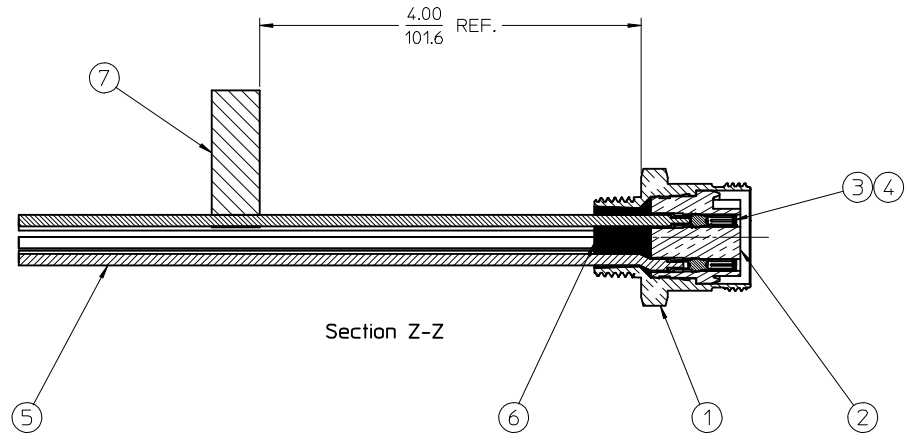
MATERIAL NO.	ENGINEERING NO.	LENGTH
1300150024	3R1004A20A120	12' +.75-0 [305mm +19.0-0]
1300150033	3R1004A20F060	6'0' +2.19-0 [ 1.8M +55.6-0]



REF. KNOCK-OUT HOLE



- NOTES:
1. MATERIAL: SEE TABLE
  2. FINISHES: SEE TABLE
  3. MATES WITH: NONE
  4. ELECTRICAL SPECIFICATIONS:  
VOLTAGE RATING: 600V AC/DC  
CURRENT RATING: 7 AMPS
  5. RoHS COMPLIANT



1	ORANGE
2	BLUE
3	WHITE-BLACK
4	RED-BLACK
5	GREEN-BLACK
6	ORANGE-BLACK
7	RED
8	GREEN-YELLOW
9	BLACK
10	WHITE

WIRING DIAGRAM

ITEM	QTY.	DESCRIPTION	MATERIAL	FINISH
7	1	LABEL	PLASTIC FILM	BLACK/YELLOW
6	1	POTTING	EPOXY	
5	10	WIRE, 16 AWG (UL 1015)	PVC INSULATED	SEE WIRE DIAGRAM
4	10	SOCKET SLEEVE	ST. STEEL	
3	10	CONTACT SOCKET	BRASS	GOLD PLATED
2	1	INSERT	PVC	YELLOW
1	1	RECEPTACLE SHELL	ZINC ALLOY	BLACK

RELEASED  
EC NO: MNA2010-0101  
DRAWN BY: R. STONE 2009/08/17  
CHKD BY: WOODMAN  
APPR: J. MURPHY 2009/08/20

QUALITY SYMBOLS  
▽=0  
▽=0

GENERAL TOLERANCES (UNLESS SPECIFIED)

	mm	INCH
4 PLACES	± .005	± .0005
3 PLACES	± .005	± .0005
2 PLACES	± .005	± .0005
1 PLACE	± 0.3	± .012

ANGULAR ±1/2°

DRAFT WHERE APPLICABLE  
MUST REMAIN  
WITHIN DIMENSIONS

DIMENSION STYLE  
IN/MM

DRAWN BY: R. STONE DATE: 2009/08/17  
CHECKED BY: B. WOODMAN DATE: 2009/08/17  
APPROVED BY: J. MURPHY DATE: 2009/08/20

MATERIAL NO. SEE CHART  
SIZE C

SCALE 1:1  
DESIGN UNITS INCH  
THIRD ANGLE PROJECTION

TITLE  
MC RECEPTACLE, FEMALE  
10 POLE, 1/2" NPT

MOLEX INCORPORATED  
DOCUMENT NO. SD-130015-005  
SHEET NO. 1 OF 1

THIS DRAWING CONTAINS INFORMATION THAT IS PROPRIETARY TO MOLEX INCORPORATED AND SHOULD NOT BE USED WITHOUT WRITTEN PERMISSION