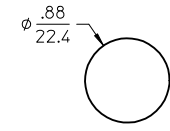
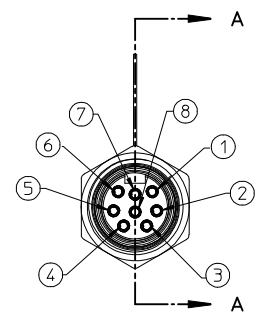
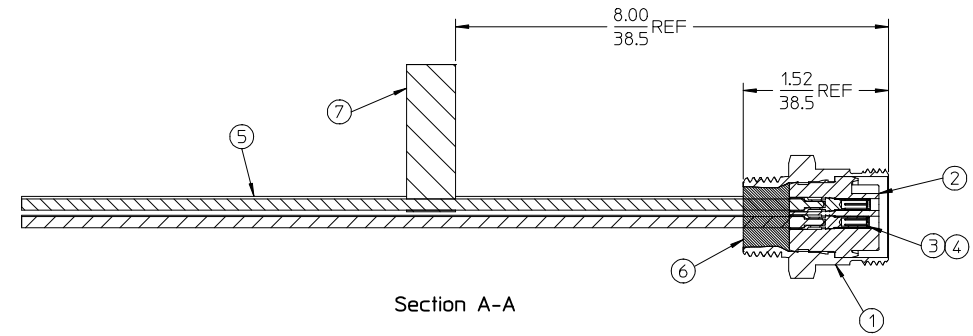
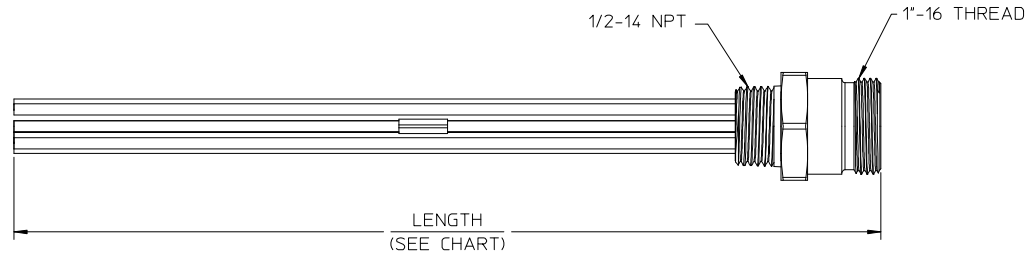
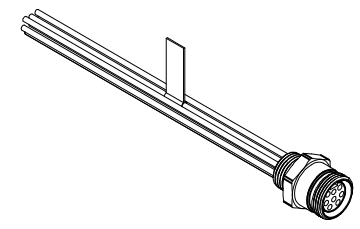


PART NUMBER	ENGINEERING NO.	LENGTH
1300140067	2R8004A20F060	6' 0" +2.19 - 0 [1.8M +55.6 - 0]
1300140061	2R8004A20A120	12' 0" +3.50 - 0 [3.7M +88.9 - 0]



REF. KNOCK-OUT HOLE



- NOTES:
1. MATERIAL: SEE TABLE
 2. FINISHES: SEE TABLE
 3. CABLE ASSEMBLIES ARE BAGGED SEPERATELY IN POLY BAGS WITH BARCODE LABEL ATTACHED TO OUTSIDE OF BAG
 4. WRAP LABEL IS MARKED WITH P/N, DATE CODE VOLTAGE & AMPERAGE
 5. MATES WITH: MINI CHANGE, C-SIZE 8 POLE CORDSET
 6. ELECTRICAL SPECIFICATIONS:
VOLTAGE RATING: 600V
CURRENT RATING: 7 AMPS
 7. ASSEMBLY IS RoHS COMPLIANT

1	ORANGE
2	BLUE
3	WHITE/BLACK
4	BLACK
5	WHITE
6	RED
7	GREEN/YELLOW-GND
8	RED/BLACK

WIRING DIAGRAM

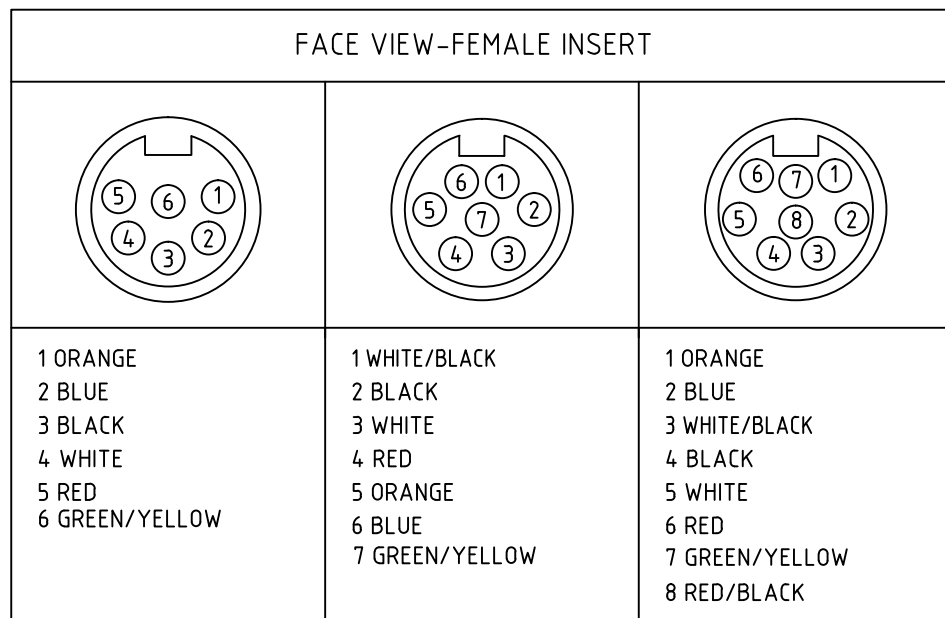
ITEM	QTY.	DESCRIPTION	MATERIAL	FINISH
7	1	LABEL	PLASTIC FILM	BLACK/YELLOW
6	1	POTTING	EPOXY	
5	7	WIRE, 16 AWG (UL 1015)	PVC INSULATED	SEE WIRE DIAGRAM
4	8	SOCKET SLEEVE	ST. STEEL	
3	8	CONTACT SOCKET	BRASS	GOLD PLATED
2	1	INSERT	PVC	YELLOW
1	1	RECEPTACLE SHELL	ZINC ALLOY	E-COAT, BLACK

RELEASED EC NO: MNA2009-0813 DRAWN: BRUPERT 2009/06/09 CHKD: BRUPERT APPR: J. MURPHY 2009/06/10	QUALITY SYMBOLS	GENERAL TOLERANCES (UNLESS SPECIFIED) <table border="1"> <thead> <tr> <th></th> <th>mm</th> <th>INCH</th> </tr> </thead> <tbody> <tr><td>4 PLACES</td><td>± .005</td><td>± .0005</td></tr> <tr><td>3 PLACES</td><td>± .005</td><td>± .0005</td></tr> <tr><td>2 PLACES</td><td>± .005</td><td>± .01</td></tr> <tr><td>1 PLACE</td><td>± 0.3</td><td>± .005</td></tr> </tbody> </table> ANGULAR ±1/2° DRAFT WHERE APPLICABLE MUST REMAIN WITHIN DIMENSIONS		mm	INCH	4 PLACES	± .005	± .0005	3 PLACES	± .005	± .0005	2 PLACES	± .005	± .01	1 PLACE	± 0.3	± .005
			mm	INCH													
	4 PLACES		± .005	± .0005													
	3 PLACES		± .005	± .0005													
	2 PLACES		± .005	± .01													
1 PLACE	± 0.3	± .005															
▽=0																	
▽=0																	
▽=0																	
▽=0																	

DIMENSION STYLE		SCALE	DESIGN UNITS	THIRD ANGLE PROJECTION
IN/MM		1:1	INCH	
DRAWN BY	DATE	TITLE		
BRUPERT	2009/04/06	MINI-CHANGE CORD ASSY FEMALE, B-SIZE 8 POLE		
CHECKED BY	DATE	MATERIAL NO.		
B. WOODMAN	2009/04/06	SEE CHART		
APPROVED BY	DATE	DOCUMENT NO.		
J. MURPHY	2009/04/06	SD-130014-007		
SIZE		SHEET NO.		
C		1 OF 1		

DRAWN BY		DATE	TITLE
BRUPERT		2009/04/06	
CHECKED BY		DATE	MATERIAL NO.
B. WOODMAN		2009/04/06	
APPROVED BY		DATE	DOCUMENT NO.
J. MURPHY		2009/04/06	
SIZE		SHEET NO.	
C		1 OF 1	

DRAWN BY		DATE	TITLE
BRUPERT		2009/04/06	
CHECKED BY		DATE	MATERIAL NO.
B. WOODMAN		2009/04/06	
APPROVED BY		DATE	DOCUMENT NO.
J. MURPHY		2009/04/06	
SIZE		SHEET NO.	
C		1 OF 1	



PART NUMBER LEGEND

2R8004A20M005

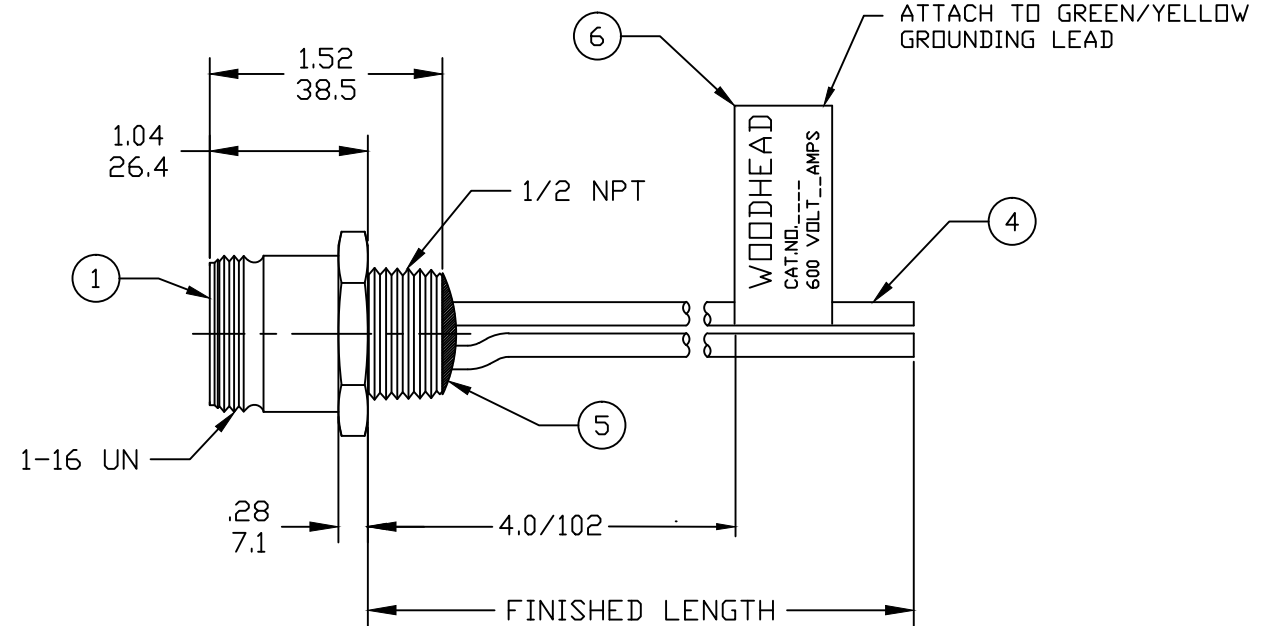
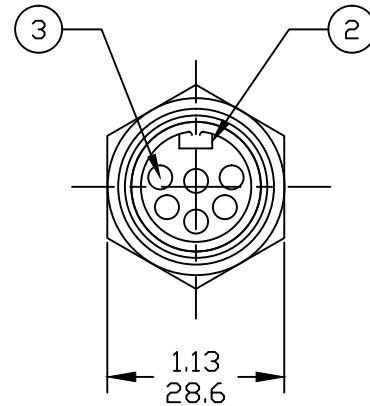
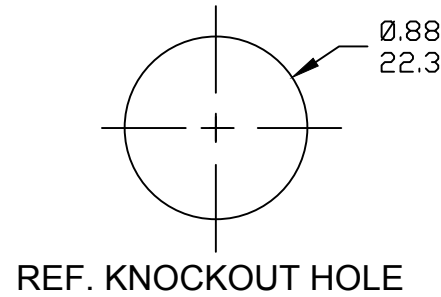
POLES
6-8

FINISHED LENGTH:
 A120= 12 IN.
 F020= 2 FEET
 F100= 10 FEET

M005= 0.5 METER
 M010= 1 METER
 M100= 10 METER

(A1) CABLE LENGTH TOLERANCES

>.3M [1FT]:	+19mm-0 [+0.75in-0]
.3 - .9M [1 - 3FT]:	+44.5mm-0 [+1.75in-0]
.9 - 1.8M [3 - 6FT]:	+55.6mm-0 [+2.19in-0]
1.8 - 3.7M [6 - 12FT]:	+88.9mm-0 [+3.50in-0]
3.7 - 7.3M [12 - 24FT]:	+165.1mm-0 [+6.50in-0]
7.3-14.6M [24 - 48FT]:	+317.5mm-0 [+12.50in-0]
14.6 - 30.5M [48-100FT]:	+622.3mm-0 [+24.50in-0]
OVER 30M [100FT]	+2% OF FINISHED LENGTH



- NOTES:
- MATERIAL: AS NOTED
 - FINISH: AS NOTED
 - ELECTRICAL:
 VOLTAGE: 6 THRU 8P 600V PER UL 2238
 6P 400V PER IEC 60664
 7 & 8P 320V PER IEC 60664 (A1)
 CURRENT: 6 & 7 POLE: 8A
 8 POLE: 7A
 - TEMP RATING: -20°TO +105°C
 - PROTECTION: IP67 (WHEN MATED)
 - UL RECOGNIZED, FILE: E152210 (A1)
 - ALL DIMS ARE FOR REFERENCE UNLESS OTHERWISE NOTED

(A1)

PART NO.	ENGINEERING NO.	FINISHED LENGTH
1300140154	2R8004A20M005	0.5M
1300140155	2R8004A20M010	1.0M
1300140156	2R8004A20M020	2.0M

ITEM	COMPONENT	MATERIAL	FINISH
6	LABEL	VINYL	BLACK/YELLOW
5	POTTING	EPOXY	
4	WIRE, 16 AWG, UL 1015	PVC INSUL.	SEE FACE VIEW
3	CONTACT PIN	Cu ALLOY	GOLD PLATED
2	INSERT	PVC	YELLOW
1	RECEPTACLE SHELL	ZINC DIE-CAST	BLACK E-COAT

REV IEC SPECS, ADD PIN CHART EC NO: IPG2017-0940 DRWN: RSTONE 4/10/17 CHKD: K COX 2017/04/28 APPR: BWOODMAN 2017/01/16	DESCRIPTION REV	QUALITY SYMBOLS	GENERAL TOLERANCES (UNLESS SPECIFIED) mm INCH 4 PLACES ±--- ±--- 3 PLACES ±--- ±--- 2 PLACES ±--- ±--- 1 PLACE ±--- ±--- ANGULAR ±---° DRAFT WHERE APPLICABLE MUST REMAIN WITHIN DIMENSIONS	DIMENSION STYLE	SCALE	DESIGN UNITS	THIRD ANGLE PROJECTION
		INCH/MM		---	INCH		
		DRAWN BY DATE		TITLE			
		CHECKED BY DATE		MATERIAL NO. ---			
APPROVED BY DATE	DOCUMENT NO. SD-130014-009		SHEET NO. 1 OF 1				
THIS DRAWING CONTAINS INFORMATION THAT IS PROPRIETARY TO MOLEX INCORPORATED AND SHOULD NOT BE USED WITHOUT WRITTEN PERMISSION							

**MINI-CHANGE RECEPTACLE
 FEMALE 6 TO 8 POLE
 16 AWG**

MOLEX INCORPORATED