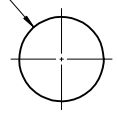
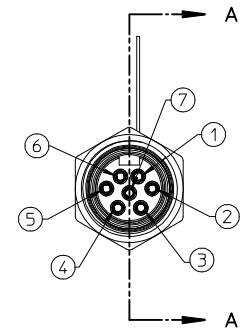
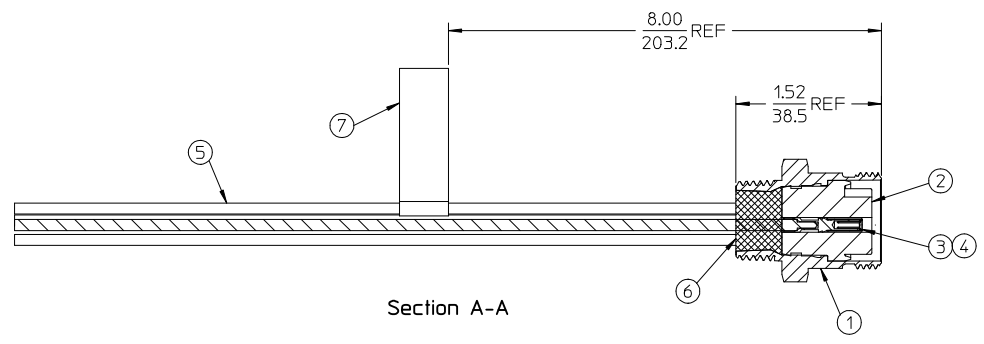
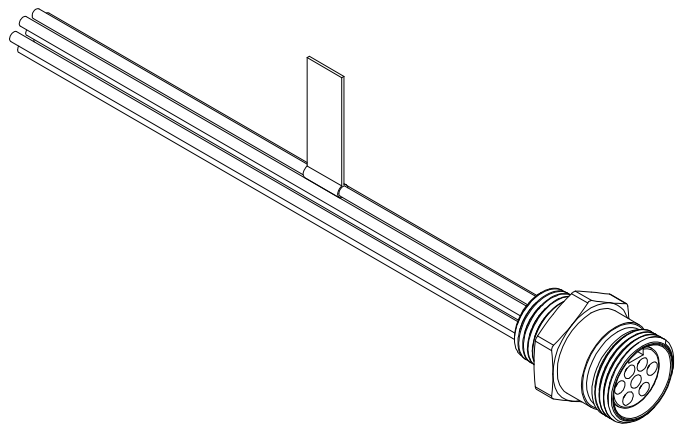
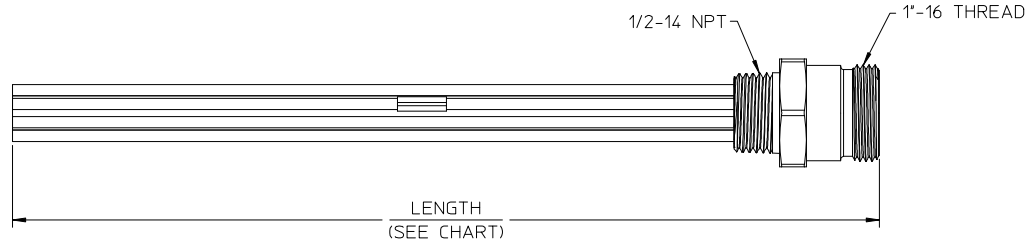


MATERIAL NO.	ENGINEERING NO.	LENGTH
1300140037	2R7004A20A120	12' +.75-0 [305mm +19.0-0]
1300140042	2R7004A20F060	6'0' +2.19-0 [1.8M +55.6-0]

φ .88  
22.4



REF. KNOCK-OUT HOLE



1	WHITE/BLACK
2	BLACK
3	WHITE
4	RED
5	ORANGE
6	BLUE
7	GREEN/YELLOW-GND

- NOTES:
1. MATERIAL: SEE TABLE
  2. FINISHES: SEE TABLE
  3. MATES WITH: 7/C MINI-CHANGE CORD ASSY.
  4. ELECTRICAL SPECIFICATIONS:  
VOLTAGE RATING: 600V AC/DC  
CURRENT RATING: 8 AMPS
  5. RoHS COMPLIANT

ITEM	QTY.	DESCRIPTION	MATERIAL	FINISH
7	1	LABEL	PLASTIC FILM	BLACK/YELLOW
6	1	POTTING	EPOXY	
5	7	WIRE, 16 AWG (UL 1015)	PVC INSULATED	SEE WIRE DIAGRAM
4	7	SOCKET SLEEVE	ST.STEEL	
3	7	CONTACT SOCKET	BRASS	GOLD PLATED
2	1	INSERT	PVC	YELLOW
1	1	RECEPTACLE SHELL	ZINC ALLOY	E-COAT, BLACK

RELEASED  
EC NO: MNA2009-0813  
DRAWN: BRUPERT 2009/06/09  
CHKD: BRUPERT  
APPR: J. MURPHY 2009/06/10

QUALITY SYMBOLS  
▽=0  
▽=0

GENERAL TOLERANCES (UNLESS SPECIFIED)

	mm	INCH
4 PLACES	± .005	± .0005
3 PLACES	± .005	± .0005
2 PLACES	± .01	± .001
1 PLACE	± 0.3	± .012

ANGULAR ±1/2°

DRAFT WHERE APPLICABLE  
MUST REMAIN  
WITHIN DIMENSIONS

DIMENSION STYLE  
IN/MM

DRAWN BY DATE  
BRUPERT 06/05/2009

CHECKED BY DATE  
B. WOODMAN 06/05/2009

APPROVED BY DATE  
J. MURPHY 06/05/2009

MATERIAL NO.  
SEE CHART

SIZE  
C

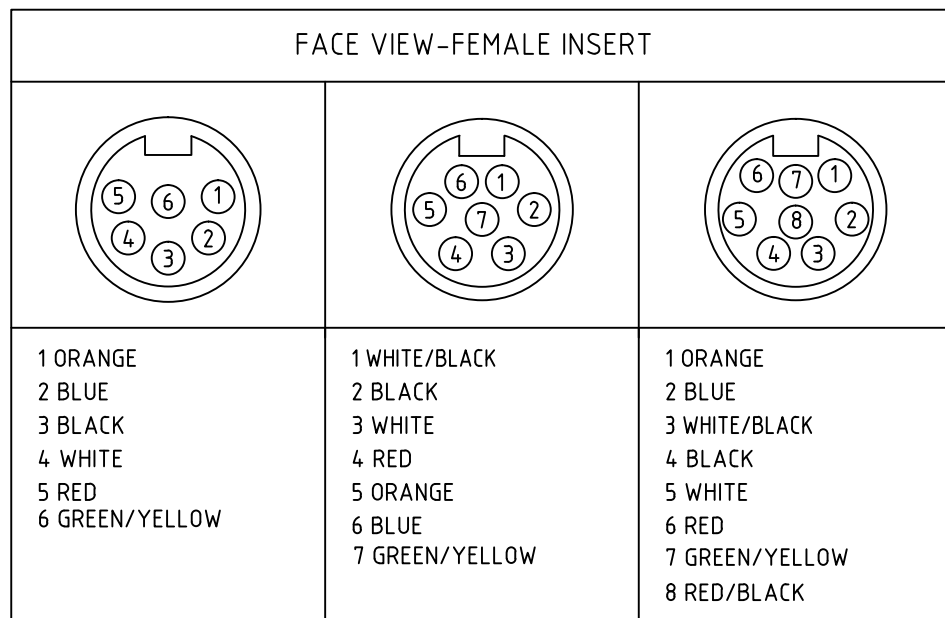
SCALE 1:1  
DESIGN UNITS INCH  
THIRD ANGLE PROJECTION

TITLE  
MINI-CHANGE RECEPTACLE  
FEMALE, 7 POLE  
1/2 IN NPT

MOLEX INCORPORATED

DOCUMENT NO. SD-130014-006  
SHEET NO. 1 OF 1

THIS DRAWING CONTAINS INFORMATION THAT IS PROPRIETARY TO MOLEX INCORPORATED AND SHOULD NOT BE USED WITHOUT WRITTEN PERMISSION



### PART NUMBER LEGEND

2R8004A20M005

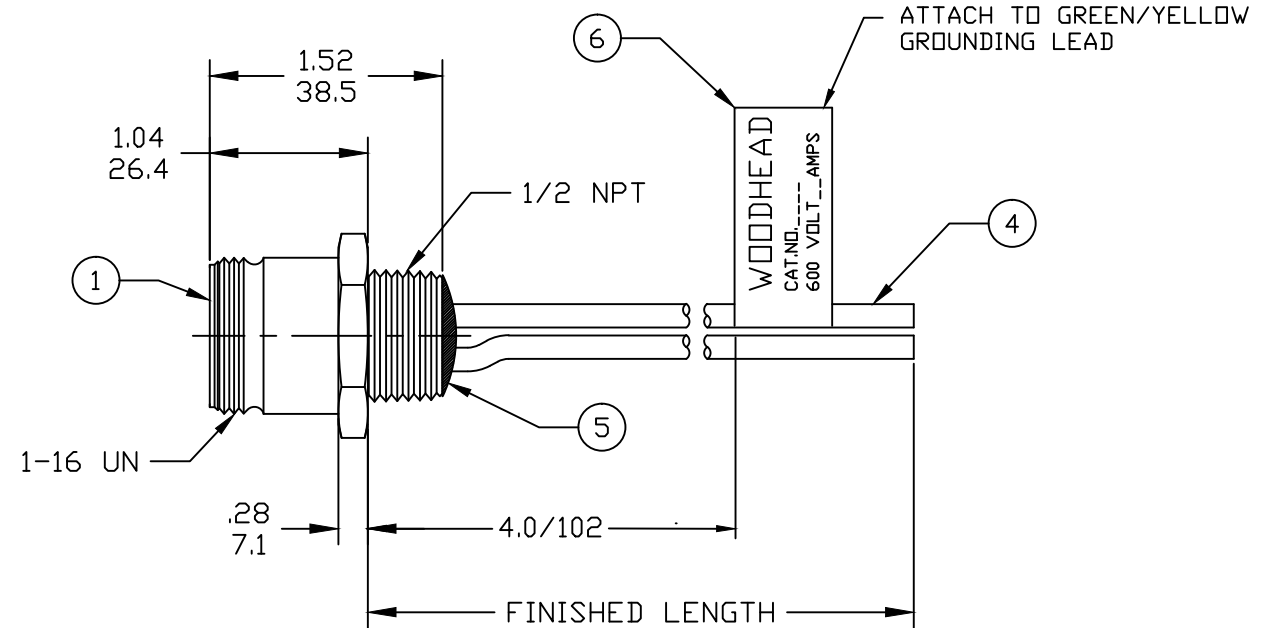
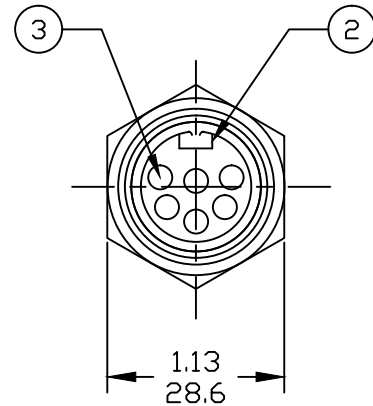
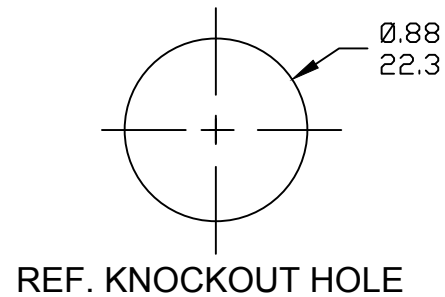
POLES  
6-8

FINISHED LENGTH:  
 A120= 12 IN.  
 F020= 2 FEET  
 F100= 10 FEET

M005= 0.5 METER  
 M010= 1 METER  
 M100= 10 METER

(A1) CABLE LENGTH TOLERANCES

>.3M [1FT]:	+19mm-0 [+0.75in-0]
.3 - .9M [1 - 3FT]:	+44.5mm-0 [+1.75in-0]
.9 - 1.8M [3 - 6FT]:	+55.6mm-0 [+2.19in-0]
1.8 - 3.7M [6 - 12FT]:	+88.9mm-0 [+3.50in-0]
3.7 - 7.3M [12 - 24FT]:	+165.1mm-0 [+6.50in-0]
7.3-14.6M [24 - 48FT]:	+317.5mm-0 [+12.50in-0]
14.6 - 30.5M [48-100FT]:	+622.3mm-0 [+24.50in-0]
OVER 30M [100FT]	+2% OF FINISHED LENGTH



- NOTES:
1. MATERIAL: AS NOTED
  2. FINISH: AS NOTED
  3. ELECTRICAL:  
 VOLTAGE: 6 THRU 8P 600V PER UL 2238  
 6P 400V PER IEC 60664  
 7 & 8P 320V PER IEC 60664 (A1)  
 CURRENT: 6 & 7 POLE: 8A  
 8 POLE: 7A

4. TEMP RATING: -20°TO +105°C
5. PROTECTION: IP67 (WHEN MATED)
6. UL RECOGNIZED, FILE: E152210 (A1)
7. ALL DIMS ARE FOR REFERENCE UNLESS OTHERWISE NOTED

PART NO.	ENGINEERING NO.	FINISHED LENGTH
1300140154	2R8004A20M005	0.5M
1300140155	2R8004A20M010	1.0M
1300140156	2R8004A20M020	2.0M

ITEM	COMPONENT	MATERIAL	FINISH
6	LABEL	VINYL	BLACK/YELLOW
5	POTTING	EPOXY	
4	WIRE, 16 AWG, UL 1015	PVC INSUL.	SEE FACE VIEW
3	CONTACT PIN	Cu ALLOY	GOLD PLATED
2	INSERT	PVC	YELLOW
1	RECEPTACLE SHELL	ZINC DIE-CAST	BLACK E-COAT

REV IEC SPECS, ADD PIN CHART EC NO: IPG2017-0940 DRWN: RSTONE 4/10/17 CHKD: K COX 2017/04/28 APPR: BWOODMAN 2017/01/16	QUALITY SYMBOLS ▽=0 ▽C=0	GENERAL TOLERANCES (UNLESS SPECIFIED) mm INCH 4 PLACES ±--- ±--- 3 PLACES ±--- ±--- 2 PLACES ±--- ±--- 1 PLACE ±--- ±--- ANGULAR ±---°	DIMENSION STYLE INCH/MM DRAWN BY DATE RSTONE 2016/12/07 CHECKED BY DATE K COX 2017/04/28 APPROVED BY DATE BWOODMAN 2017/01/16	SCALE --- DESIGN UNITS INCH	THIRD ANGLE PROJECTION	<b>MINI-CHANGE RECEPTACLE          FEMALE 6 TO 8 POLE          16 AWG</b> <b>MOLEX INCORPORATED</b>	
	DRAFT WHERE APPLICABLE MUST REMAIN WITHIN DIMENSIONS		MATERIAL NO. --- SIZE <b>B</b>	DOCUMENT NO. <b>SD-130014-009</b> SHEET NO. <b>1 OF 1</b>		THIS DRAWING CONTAINS INFORMATION THAT IS PROPRIETARY TO MOLEX INCORPORATED AND SHOULD NOT BE USED WITHOUT WRITTEN PERMISSION	