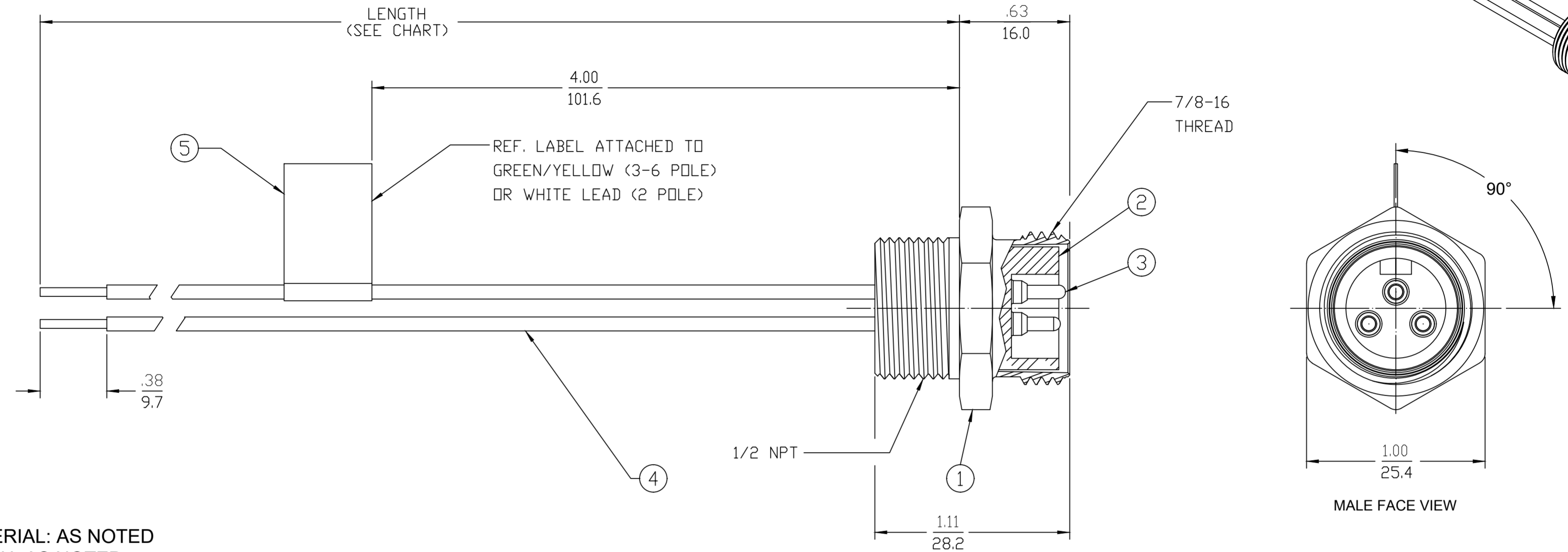
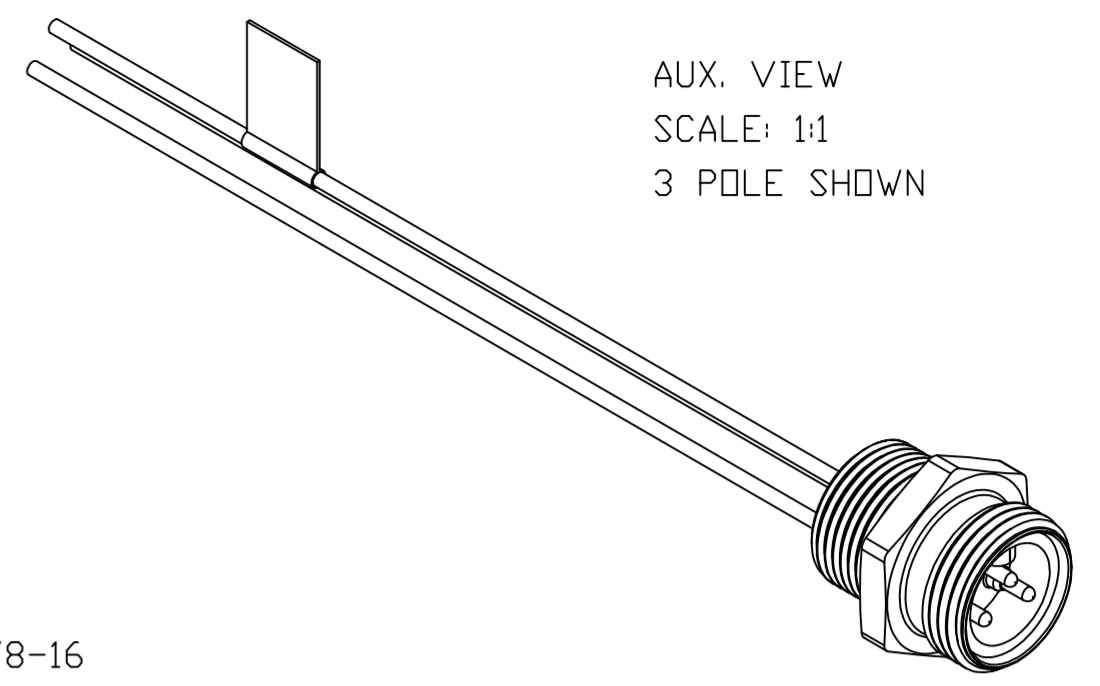
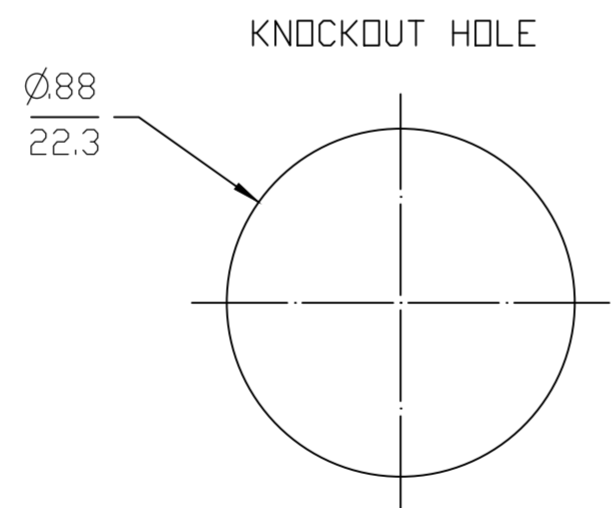


MATERIAL NO.	ENGINEERING NO.	LENGTH	POLES	ELECTRICAL SPECS
1300130203	1R3006A20A1201	12.00 IN +.75-0 (304.8mm +19.1mm-0)	3	600 VOLTS, 13 AMPS
1300130216	1R3006A20F0601	6 FT,0 IN +2.19-0 (1.83M +55.6-0)	3	600 VOLTS, 13 AMPS
1300130354	1R4006A20A1201	12.00 IN +.75-0 (304.8mm +19.1mm-0)	4	600 VOLTS, 10 AMPS

REF. THIS DOC SUPERSEDES SD-130013-040 REV-A (A)



- (A)
- NOTES:**
- MATERIAL: AS NOTED
  - FINISH: AS NOTED
  - ELECTRICAL:  
VOLTAGE: PER IEC60664  
2P & 3P 500V  
4P 483V  
5P & 6P 400V  
600V PER UL2238  
CURRENT: SEE MATERIAL NO. TABLE
  - TEMP RATING: -20°TO +90°C
  - PROTECTION: IP67 (WHEN MATED)
  - COUPLING THREAD: AS NOTED
  - UL LISTED FILE: E258922  
CSA CERTIFIED: LR6837
  - ALL DIMS ARE FOR REFERENCE UNLESS TOLERANCED OR NOTED OTHERWISE



FACE VIEW-MALE INSERT				
1 WHITE 2 BLACK	1 GREEN/YELLOW 2 BLACK 3 WHITE	1 BLACK 2 WHITE 3 RED 4 GREEN/YELLOW	1 WHITE 2 RED 3 GREEN/YELLOW 4 ORANGE 5 BLACK	1 WHITE 2 RED 3 GREEN/YELLOW 4 ORANGE 5 BLACK 6 BLUE

ITEM	DESCRIPTION	MATERIAL	FINISH
5	LABEL	VINYL	BLACK/YELLOW
4	WIRE, 16 AWG, UL1015	PVC INSULATION	SEE WIRE DIAGRAM
3	CONTACT PIN	Cu ALLOY	GOLD PLATED
2	INSERT	TPE (A)	YELLOW
1	RECEPTACLE SHELL	ST. STEEL	PASSIVATED

THIS DRAWING CONTAINS INFORMATION THAT IS PROPRIETARY TO MOLEX ELECTRONIC TECHNOLOGIES, LLC AND SHOULD NOT BE USED WITHOUT WRITTEN PERMISSION

**SYMBOLS**

▽ = 0	DIMENSION UNITS	SCALE	CURRENT REV DESC: 1300130354 WAS 12 FT, UPDATED NOTES FOR IEC SPECS TPE WAS PVC, SUPERSEDES SD-130013-040 REV-A
▽ = 0	INCH/MM	1:1	
▽ = 0	GENERAL TOLERANCES (UNLESS SPECIFIED)		
▽ = 0		mm	INCH
▽ = 0	4 PLACES	±----	±----
▽ = 0	3 PLACES	±----	±----
▽ = 0	2 PLACES	±----	±----
▽ = 0	1 PLACE	±----	±----
▽ = 0	0 PLACES	±----	±----
▽ = 0	ANGULAR TOL ± ---- °		
▽ = 0	DRAFT WHERE APPLICABLE MUST REMAIN WITHIN DIMENSIONS		

EC NO: 625082  
DRWN: RSTONE 2019/10/03  
CHK'D: ALEON01 2019/10/03  
APPR: BWOODMAN 2019/10/11

INITIAL REVISION:  
DRWN: RSTONE 2019/10/02  
APPR: BWOODMAN 2019/10/11

THIRD ANGLE PROJECTION

DRAWING SERIES: C-SIZE 130013

**molex**

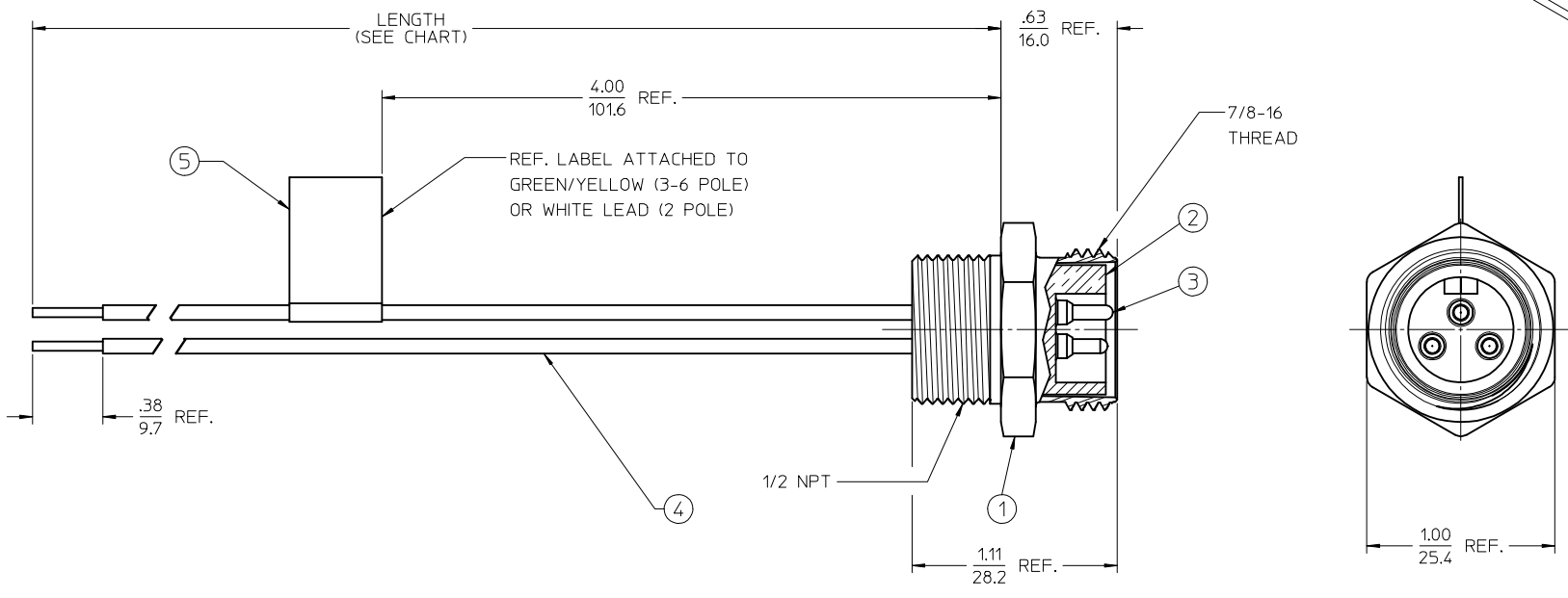
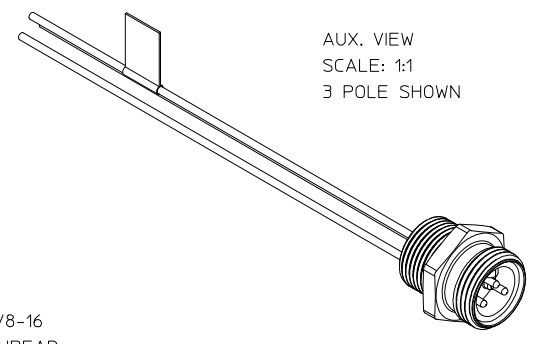
MINI-CHANGE RECEPT. MALE, 16AWG, SS

PRODUCT CUSTOMER DRAWING

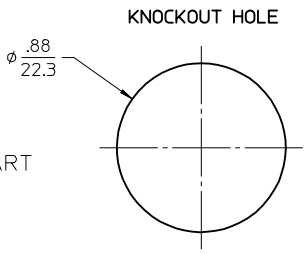
DOCUMENT NUMBER	DOC TYPE	DOC PART	REVISION
1300130203	PSD	000	A

MATERIAL NUMBER: SEE MAR. NO. TABLE  
CUSTOMER: ----  
SHEET NUMBER: 1 OF 1

MATERIAL NO.	ENGINEERING NO.	LENGTH	POLES	ELECTRICAL SPECS
1300130203	1R3006A20A1201	12.00' +.75 -0 (304.8 +19.1 -0)	3	600 VOLTS, 13 AMPS
1300130216	1R3006A20F0601	6'0' +2.19 -0 (1.83M +55.6 -0)	3	600 VOLTS, 13 AMPS
1300130354	1R4006A20A1201	12.00' +.75 -0 (304.8 +19.1 -0)	4	600 VOLTS, 10 AMPS



- NOTES:
1. MATERIAL: SEE TABLE
  2. FINISHES: SEE TABLE
  3. MATES WITH: MINI CHANGE CABLE
  4. ELECTRICAL SPECIFICATIONS: SEE CHART
  5. ASSEMBLY IS ROHS COMPLIANT



FACE VIEW-MALE INSERT				
1 WHITE 2 BLACK	1 GREEN/YELLOW 2 BLACK 3 WHITE	1 BLACK 2 WHITE 3 RED 4 GREEN/YELLOW	1 WHITE 2 RED 3 GREEN/YELLOW 4 ORANGE 5 BLACK	1 WHITE 2 RED 3 GREEN/YELLOW 4 ORANGE 5 BLACK 6 BLUE

ITEM	QTY.	DESCRIPTION	MATERIAL	FINISH
5	1	LABEL	VINYL	BLACK/YELLOW
4	A/R	WIRE, 16 AWG, UL1015	PVC INSULATION	SEE WIRE DIAGRAM
3	A/R	CONTACT PIN	Cu ALLOY	GOLD PLATED
2	1	INSERT	PVC	YELLOW
1	1	RECEPTACLE SHELL	ST. STEEL	PASSIVATED

NEW SALES DWG. EC NO: JFG2013-0880 DRAWN BY: DRWINRSTONE 2013/01/10 CHKD BY: JOZWIK 2013/01/25 APPR: JFMURPHY 2013/03/01	QUALITY SYMBOLS	DESCRIPTION
	▽=0	
	▽=0	
	▽=0	
	▽=0	

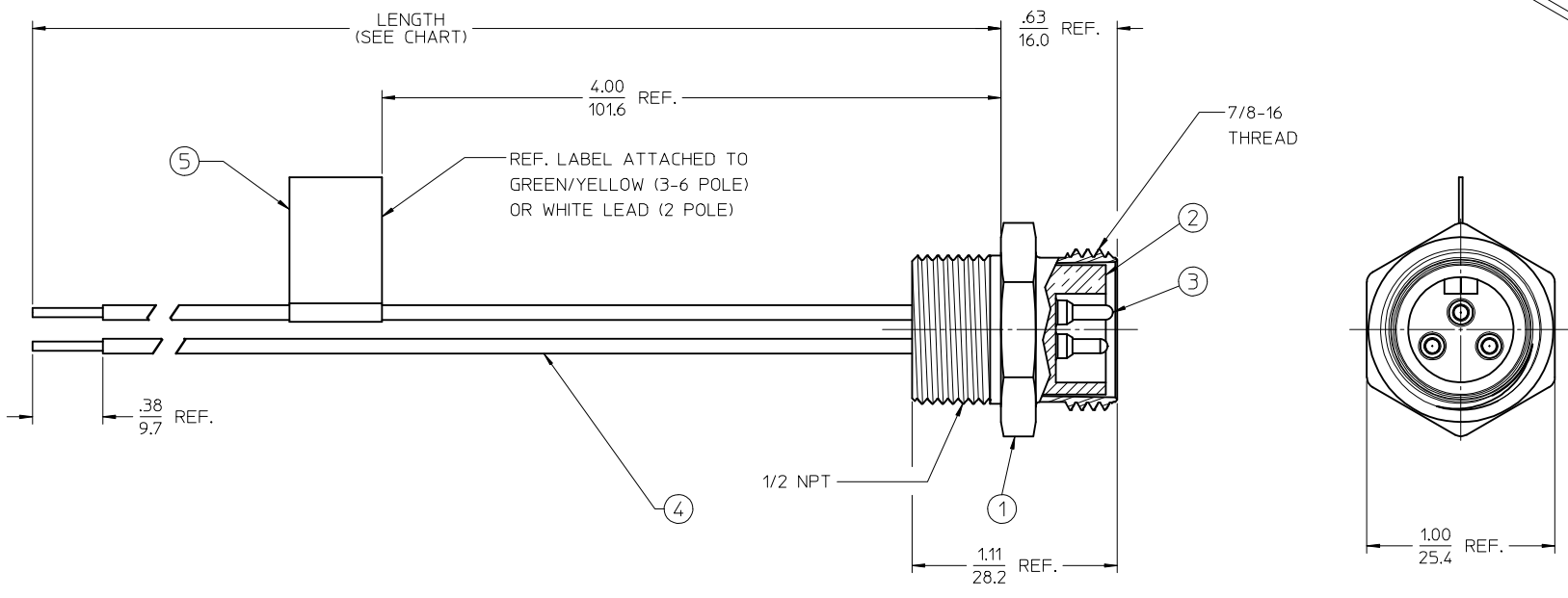
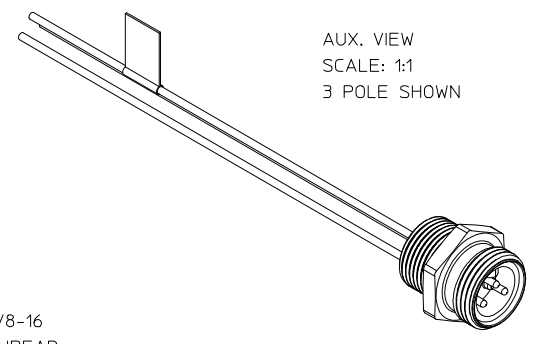
GENERAL TOLERANCES (UNLESS SPECIFIED)	
mm	INCH
4 PLACES ± .005	± .0005
3 PLACES ± .005	± .0005
2 PLACES ± .005	± .0005
1 PLACE ± .005	± .0005
0 PLACE ± .005	± .0005
ANGULAR ± 2°	

DRAFT WHERE APPLICABLE MUST REMAIN WITHIN DIMENSIONS

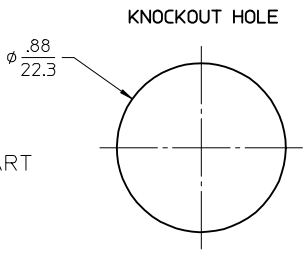
DIMENSION STYLE	
IN/MM	
DRAWN BY	DATE
RSTONE	2013/01/10
CHECKED BY	DATE
K. JOZWIK	2013/01/25
APPROVED BY	DATE
JFMURPHY	2013/03/01

SCALE	DESIGN UNITS	THIRD ANGLE PROJECTION
1:1	INCH	☉
TITLE		
MINI CHANGE MALE RECEPT. 16 AWG AC COLOR 1/2 NPT MTG THREAD, SS		
<b>molex</b>		
MATERIAL NO.	DOCUMENT NO.	SHEET NO.
SEE CHART	SD-130013-040	1 OF 1
THIS DRAWING CONTAINS INFORMATION THAT IS PROPRIETARY TO MOLEX INCORPORATED AND SHOULD NOT BE USED WITHOUT WRITTEN PERMISSION		

MATERIAL NO.	ENGINEERING NO.	LENGTH	POLES	ELECTRICAL SPECS
1300130203	1R3006A20A1201	12.00' +.75 -0 (304.8 +19.1 -0)	3	600 VOLTS, 13 AMPS
1300130216	1R3006A20F0601	6'0' +2.19 -0 (1.83M +55.6 -0)	3	600 VOLTS, 13 AMPS
1300130354	1R4006A20A1201	12.00' +.75 -0 (304.8 +19.1 -0)	4	600 VOLTS, 10 AMPS



- NOTES:
1. MATERIAL: SEE TABLE
  2. FINISHES: SEE TABLE
  3. MATES WITH: MINI CHANGE CABLE
  4. ELECTRICAL SPECIFICATIONS: SEE CHART
  5. ASSEMBLY IS ROHS COMPLIANT



FACE VIEW-MALE INSERT				
1 WHITE 2 BLACK	1 GREEN/YELLOW 2 BLACK 3 WHITE	1 BLACK 2 WHITE 3 RED 4 GREEN/YELLOW	1 WHITE 2 RED 3 GREEN/YELLOW 4 ORANGE 5 BLACK	1 WHITE 2 RED 3 GREEN/YELLOW 4 ORANGE 5 BLACK 6 BLUE

ITEM	QTY.	DESCRIPTION	MATERIAL	FINISH
5	1	LABEL	VINYL	BLACK/YELLOW
4	A/R	WIRE, 16 AWG, UL1015	PVC INSULATION	SEE WIRE DIAGRAM
3	A/R	CONTACT PIN	Cu ALLOY	GOLD PLATED
2	1	INSERT	PVC	YELLOW
1	1	RECEPTACLE SHELL	ST. STEEL	PASSIVATED

<b>NEW SALES DWG.</b> EC NO: JFG2013-0880 DRAWN BY: DRWINRSTONE 2013/01/10 CHKD BY: JOZWIK 2013/01/25 APPR: JFMURPHY 2013/03/01	QUALITY SYMBOLS	GENERAL TOLERANCES (UNLESS SPECIFIED)	DIMENSION STYLE	SCALE	DESIGN UNITS	THIRD ANGLE PROJECTION																														
	$\nabla=0$ $\nabla=0$	<table border="1"> <tr> <th></th> <th>mm</th> <th>INCH</th> </tr> <tr> <td>4 PLACES</td> <td>± .005</td> <td>± .0005</td> </tr> <tr> <td>3 PLACES</td> <td>± .005</td> <td>± .0005</td> </tr> <tr> <td>2 PLACES</td> <td>± .005</td> <td>± .001</td> </tr> <tr> <td>1 PLACE</td> <td>± .003</td> <td>± .0005</td> </tr> <tr> <td>0 PLACE</td> <td>± .005</td> <td>± .0005</td> </tr> </table>		mm	INCH	4 PLACES	± .005	± .0005	3 PLACES	± .005	± .0005	2 PLACES	± .005	± .001	1 PLACE	± .003	± .0005	0 PLACE	± .005	± .0005	<table border="1"> <tr> <th>IN/MM</th> <th>DATE</th> </tr> <tr> <td>DRAWN BY</td> <td>RSTONE 2013/01/10</td> </tr> <tr> <td>CHECKED BY</td> <td>DATE</td> </tr> <tr> <td>K. JOZWIK</td> <td>2013/01/25</td> </tr> <tr> <td>APPROVED BY</td> <td>DATE</td> </tr> <tr> <td>JFMURPHY</td> <td>2013/03/01</td> </tr> </table>	IN/MM	DATE	DRAWN BY	RSTONE 2013/01/10	CHECKED BY	DATE	K. JOZWIK	2013/01/25	APPROVED BY	DATE	JFMURPHY	2013/03/01	1:1	INCH	
		mm	INCH																																	
	4 PLACES	± .005	± .0005																																	
3 PLACES	± .005	± .0005																																		
2 PLACES	± .005	± .001																																		
1 PLACE	± .003	± .0005																																		
0 PLACE	± .005	± .0005																																		
IN/MM	DATE																																			
DRAWN BY	RSTONE 2013/01/10																																			
CHECKED BY	DATE																																			
K. JOZWIK	2013/01/25																																			
APPROVED BY	DATE																																			
JFMURPHY	2013/03/01																																			
<b>A</b>	DRAFT WHERE APPLICABLE MUST REMAIN WITHIN DIMENSIONS	MATERIAL NO. <b>SEE CHART</b>	TITLE <b>MINI CHANGE MALE RECEPT.          16 AWG AC COLOR          1/2 NPT MTG THREAD, SS</b>	DOCUMENT NO. <b>SD-130013-040</b>	SHEET NO. <b>1 OF 1</b>																															

THIS DRAWING CONTAINS INFORMATION THAT IS PROPRIETARY TO MOLEX INCORPORATED AND SHOULD NOT BE USED WITHOUT WRITTEN PERMISSION