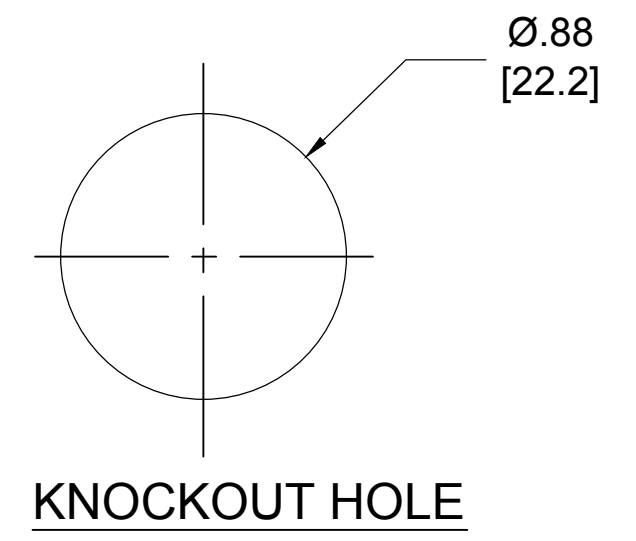


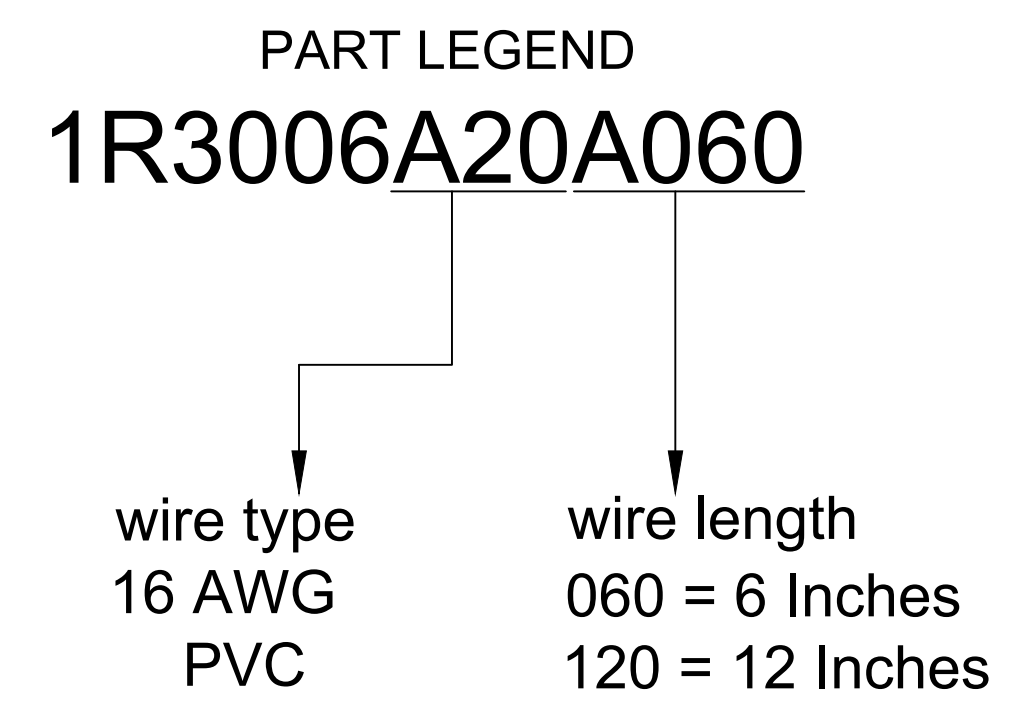
MALE FACE VIEW

|   |              |
|---|--------------|
| 1 | GREEN-YELLOW |
| 2 | BLACK        |
| 3 | WHITE        |

WIRING DIAGRAM



KNOCKOUT HOLE



- NOTES:**
1. MATERIAL: AS NOTED
  2. FINISH: AS NOTED
  3. ELECTRICAL:  
VOLTAGE; 600V AC/DC  
CURRENT: 13
  4. TEMP RATING: -20° TO +105°C
  5. PROTECTION: IP67 (WHEN MATED)
  6. ALL DIMS ARE FOR REFERENCE  
UNLESS NOTED OTHERWISE

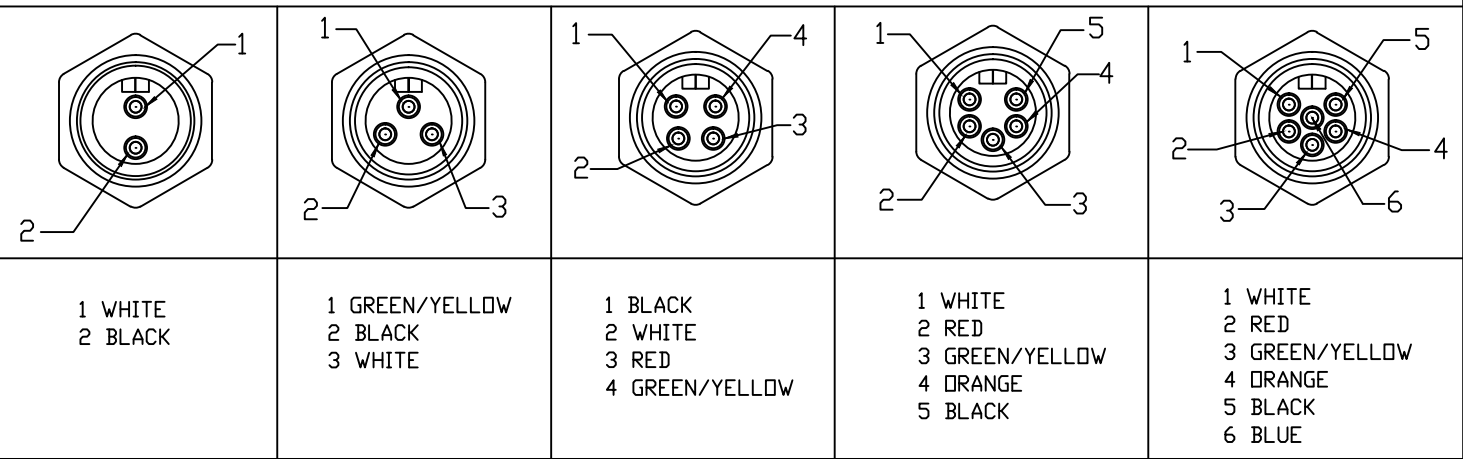
**TABLE**

| ITEM | COMPONENT             | MATERIAL      | FINISH        |
|------|-----------------------|---------------|---------------|
| 6    | LABEL                 | VINYL         | BLACK/YELLOW  |
| 5    | POTTING               | EPOXY         |               |
| 4    | WIRE, 16 AWG, UL 1015 | PVC INSUL.    | SEE FACE VIEW |
| 3    | CONTACT PIN           | Cu ALLOY      | GOLD PLATED   |
| 2    | INSERT                | PVC           | YELLOW        |
| 1    | RECEPTACLE SHELL      | ZINC DIE-CAST | BLACK E-COAT  |

| .38 WAS .3, UPDATED DOC<br>EC NO: IPG2017-0513<br>DRWN: RSTONE 11/18/16<br>CH'KD: M ZIELIN 2016/12/07<br>APPR: BWOODMAN | QUALITY SYMBOL<br>▽=0<br>▽=0 | GENERAL TOLERANCES (UNLESS SPECIFIED)                   | DIMENSION STYLE<br>IN/MM   | SCALE<br>NTS                | DESIGN UNITS<br>INCH | THIRD ANGLE PROJECTION |          |      |      |          |      |      |          |       |      |         |      |      |  |   |  |  |
|---|------------------------------|---|--|-----------------------------|----------------------|------------------------|----------|------|------|----------|------|------|----------|-------|------|---------|------|------|--|---|--|--|
|   |                              |   | <table border="1" style="font-size: small;"> <tr> <th></th> <th>mm</th> <th>INCH</th> </tr> <tr> <td>4 PLACES</td> <td>±---</td> <td>±---</td> </tr> <tr> <td>3 PLACES</td> <td>±---</td> <td>±---</td> </tr> <tr> <td>2 PLACES</td> <td>±0.13</td> <td>±.01</td> </tr> <tr> <td>1 PLACE</td> <td>±0.3</td> <td>±---</td> </tr> </table> |                             | mm                   | INCH                   | 4 PLACES | ±--- | ±--- | 3 PLACES | ±--- | ±--- | 2 PLACES | ±0.13 | ±.01 | 1 PLACE | ±0.3 | ±--- | DRAWN BY: GGUSTAFS<br>DATE: 2013/12/03 | TITLE<br><b>MINI-CHANGE RECEPTACLE<br/>3 POLE MALE<br/>1/2 NPT 16/1 AWG PVC</b> |  |  |
|   |                              | mm  | INCH   |                             |                      |                        |          |      |      |          |      |      |          |       |      |         |      |      |  |   |  |  |
|   | 4 PLACES                     | ±---  | ±---   |                             |                      |                        |          |      |      |          |      |      |          |       |      |         |      |      |  |   |  |  |
| 3 PLACES  | ±---                         | ±---  |  |                             |                      |                        |          |      |      |          |      |      |          |       |      |         |      |      |  |   |  |  |
| 2 PLACES  | ±0.13                        | ±.01  |  |                             |                      |                        |          |      |      |          |      |      |          |       |      |         |      |      |  |   |  |  |
| 1 PLACE   | ±0.3                         | ±---  |  |                             |                      |                        |          |      |      |          |      |      |          |       |      |         |      |      |  |   |  |  |
|   |                              | CHECKED BY: LH<br>DATE: 2009/04/01                      |  |                             |                      |                        |          |      |      |          |      |      |          |       |      |         |      |      |  |   |  |  |
|   |                              | ANGULAR ±---°   | APPROVED BY: _____<br>DATE: _____  | MOLEX INCORPORATED          |                      |                        |          |      |      |          |      |      |          |       |      |         |      |      |  |   |  |  |
|   |                              | DRAFT WHERE APPLICABLE<br>MUST REMAIN WITHIN DIMENSIONS | MATERIAL NO.: _____  | DOCUMENT NO.: SD-130013-003 | SHEET NO.: 1 OF 1    |                        |          |      |      |          |      |      |          |       |      |         |      |      |  |   |  |  |

THIS DRAWING CONTAINS INFORMATION THAT IS PROPRIETARY TO MOLEX INCORPORATED AND SHOULD NOT BE USED WITHOUT WRITTEN PERMISSION

FACE VIEW - MALE INSERT

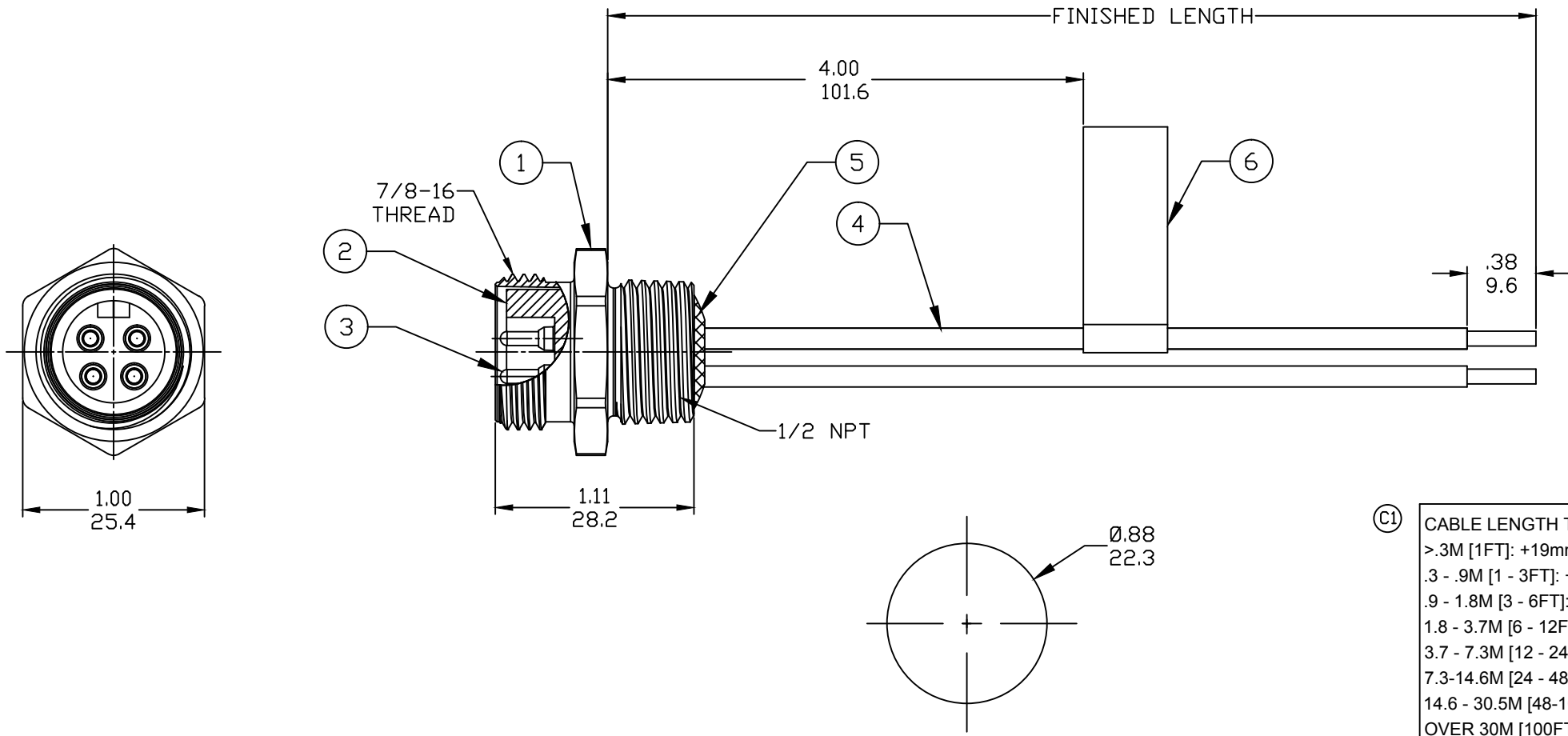


PART NUMBER LEGEND

1R3006A20F020  
 ↑ POLES 2-6      ↑ FINISHED LENGTH:  
 A120= 12 IN.  
 F020= 2 FEET  
 F100= 10 FEET  
 M005= 0.5 METER  
 M010= 1 METER  
 M100= 10 METER

| PART NO.   | ENGINEERING NO. | FINISHED LENGTH |
|------------|-----------------|-----------------|
| 1300130076 | 1R2006A20A120   | 12 IN           |
| 1300130223 | 1R3006A20M010   | 1.0M            |
| 1300130224 | 1R3006A20M020   | 2.0M            |

- NOTES:  
 1. MATERIAL: AS NOTED  
 2. FINISH: AS NOTED  
 3. ELECTRICAL:  
 VOLTAGE: 2 THRU 6P 600V PER UL 2238  
 3P 500V PER IEC 60664  
 4P 483V PER IEC 60664 (C1)  
 5 & 6P 400V PER IEC 60664  
 CURRENT: 2 & 3 POLE: 13A  
 4 POLE: 10A  
 5 & 6 POLE: 8A  
 4. TEMP RATING: -20°TO +105°C  
 5. PROTECTION: IP67 (WHEN MATED)  
 6. UL LISTED, FILE: E258922 FOR 3 & 4 POLE  
 UL RECOGNIZED, FILE: E152210 FOR 2, 5, & 6 POLE  
 7. ALL DIMS ARE FOR REFERENCE  
 UNLESS OTHERWISE NOTED



(C1) CABLE LENGTH TOLERANCES

|                          |                         |
|--------------------------|-------------------------|
| >.3M [1FT]:              | +19mm-0 [+1.75in-0]     |
| .3 - .9M [1 - 3FT]:      | +44.5mm-0 [+1.75in-0]   |
| .9 - 1.8M [3 - 6FT]:     | +55.6mm-0 [+2.19in-0]   |
| 1.8 - 3.7M [6 - 12FT]:   | +88.9mm-0 [+3.50in-0]   |
| 3.7 - 7.3M [12 - 24FT]:  | +165.1mm-0 [+6.50in-0]  |
| 7.3-14.6M [24 - 48FT]:   | +317.5mm-0 [+12.50in-0] |
| 14.6 - 30.5M [48-100FT]: | +622.3mm-0 [+24.50in-0] |
| OVER 30M [100FT]         | +2% OF FINISHED LENGTH  |

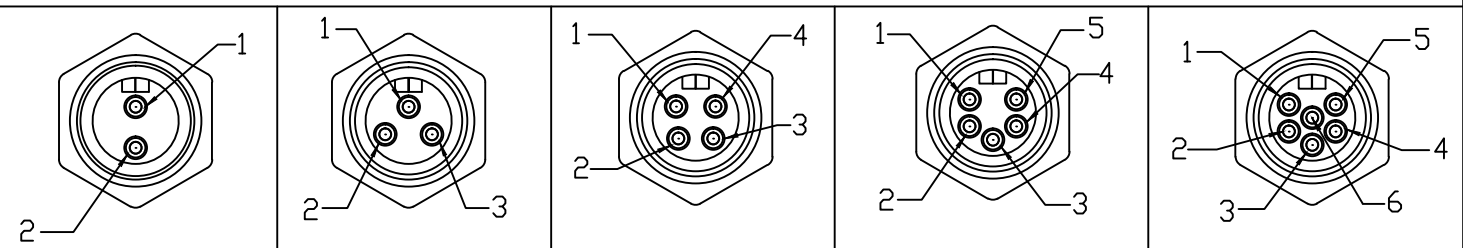
| ITEM | COMPONENT             | MATERIAL      | FINISH        |
|------|-----------------------|---------------|---------------|
| 6    | LABEL                 | VINYL         | BLACK/YELLOW  |
| 5    | POTTING               | EPOXY         |               |
| 4    | WIRE, 16 AWG, UL 1015 | PVC INSUL.    | SEE FACE VIEW |
| 3    | CONTACT PIN           | Cu ALLOY      | GOLD PLATED   |
| 2    | INSERT                | PVC           | YELLOW        |
| 1    | RECEPTACLE SHELL      | ZINC DIE-CAST | BLACK E-COAT  |

|   |  |   |                      |   |
|---|--|---|----------------------|---|
| REV EC NO: IPG2017-0940<br>DRWN: RSTONE<br>CHKD: K COX<br>APPR: BWOODMAN<br>4/10/17<br>2017/04/28<br>2016/08/19 | DIMENSION STYLE<br>IN/MM                                   | SCALE<br>---  | DESIGN UNITS<br>INCH | THIRD ANGLE PROJECTION                                    |
|   | DIMENSION TOLERANCES (UNLESS SPECIFIED)                    | DRAWN BY<br>RSTONE  | DATE<br>2016/08/01   | TITLE<br>MINI CHANGE RECEPTACLE<br>MALE 2 TO 6P<br>16 AWG |
|   | SYMBOLS<br>▽=0<br>◻=0                                      | CHECKED BY<br>K COX   | DATE<br>2017/04/28   |   |
|   | DRAFT WHERE APPLICABLE<br>MUST REMAIN<br>WITHIN DIMENSIONS | APPROVED BY<br>TWOLDEGE   | DATE<br>2016/08/19   | MATERIAL NO.<br>-   |
| REV C1  | SIZE<br>B  | THIS DRAWING CONTAINS INFORMATION THAT IS PROPRIETARY TO MOLEX INCORPORATED AND SHOULD NOT BE USED WITHOUT WRITTEN PERMISSION |                      |   |



SHEET NO.  
1 OF 1

FACE VIEW - MALE INSERT



- 1 WHITE  
2 BLACK
- 1 GREEN/YELLOW  
2 BLACK  
3 WHITE
- 1 BLACK  
2 WHITE  
3 RED  
4 GREEN/YELLOW
- 1 WHITE  
2 RED  
3 GREEN/YELLOW  
4 ORANGE  
5 BLACK  
6 BLACK
- 1 WHITE  
2 RED  
3 GREEN/YELLOW  
4 ORANGE  
5 BLACK  
6 BLUE

PART NUMBER LEGEND

1R3006A20F020

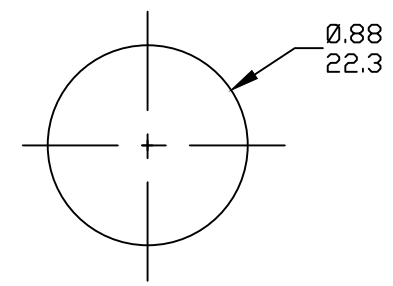
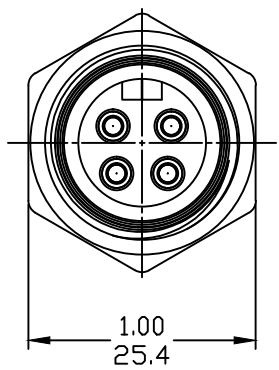
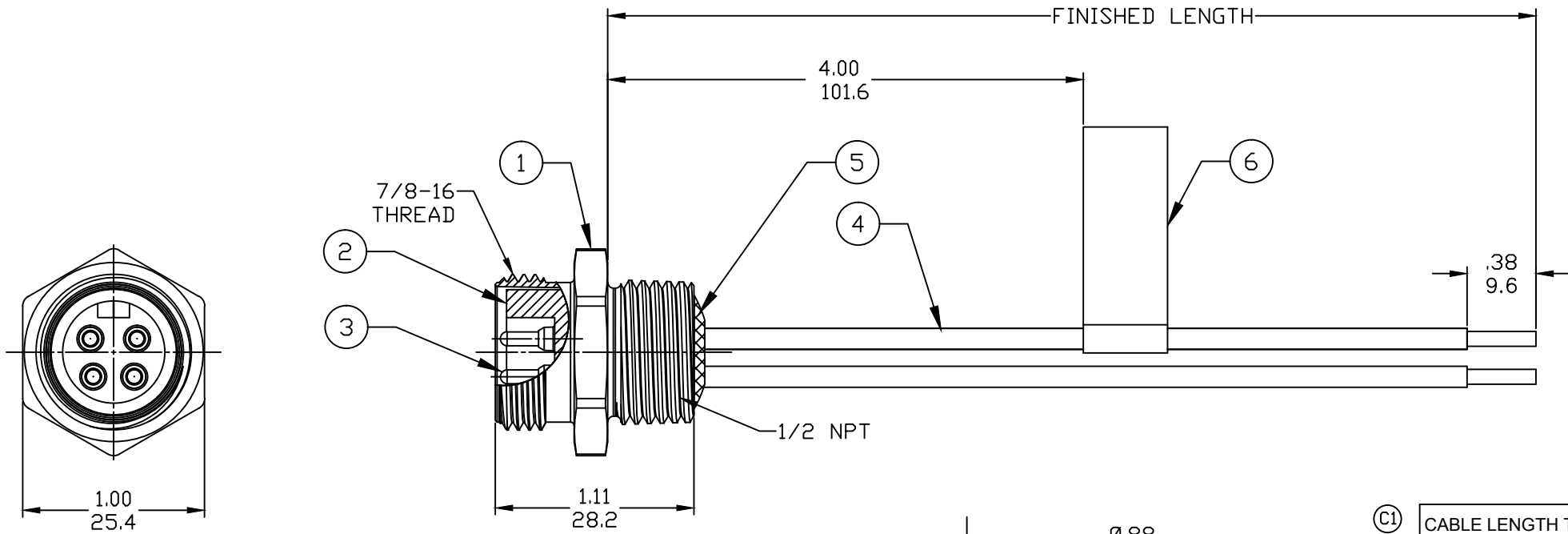
POLES 2-6

FINISHED LENGTH:  
A120= 12 IN.  
F020= 2 FEET  
F100= 10 FEET

M005= 0.5 METER  
M010= 1 METER  
M100= 10 METER

| PART NO.   | ENGINEERING NO. | FINISHED LENGTH |
|------------|-----------------|-----------------|
| 1300130076 | 1R2006A20A120   | 12 IN           |
| 1300130223 | 1R3006A20M010   | 1.0M            |
| 1300130224 | 1R3006A20M020   | 2.0M            |

- NOTES:
- MATERIAL: AS NOTED
  - FINISH: AS NOTED
  - ELECTRICAL:  
VOLTAGE: 2 THRU 6P 600V PER UL 2238  
3P 500V PER IEC 60664  
4P 483V PER IEC 60664 (C1)  
5 & 6P 400V PER IEC 60664
  - CURRENT: 2 & 3 POLE: 13A  
4 POLE: 10A  
5 & 6 POLE: 8A
  - TEMP RATING: -20°TO +105°C
  - PROTECTION: IP67 (WHEN MATED)
  - (C1) 6. UL LISTED, FILE: E258922 FOR 3 & 4 POLE  
UL RECOGNIZED, FILE: E152210 FOR 2, 5, & 6 POLE
  - ALL DIMS ARE FOR REFERENCE UNLESS OTHERWISE NOTED



(C1) CABLE LENGTH TOLERANCES

|                          |                         |
|--------------------------|-------------------------|
| >.3M [1FT]:              | +19mm-0 [+1.75in-0]     |
| .3 - .9M [1 - 3FT]:      | +44.5mm-0 [+1.75in-0]   |
| .9 - 1.8M [3 - 6FT]:     | +55.6mm-0 [+2.19in-0]   |
| 1.8 - 3.7M [6 - 12FT]:   | +88.9mm-0 [+3.50in-0]   |
| 3.7 - 7.3M [12 - 24FT]:  | +165.1mm-0 [+6.50in-0]  |
| 7.3-14.6M [24 - 48FT]:   | +317.5mm-0 [+12.50in-0] |
| 14.6 - 30.5M [48-100FT]: | +622.3mm-0 [+24.50in-0] |
| OVER 30M [100FT]         | +2% OF FINISHED LENGTH  |

| ITEM | COMPONENT             | MATERIAL      | FINISH        |
|------|-----------------------|---------------|---------------|
| 6    | LABEL                 | VINYL         | BLACK/YELLOW  |
| 5    | POTTING               | EPOXY         |               |
| 4    | WIRE, 16 AWG, UL 1015 | PVC INSUL.    | SEE FACE VIEW |
| 3    | CONTACT PIN           | Cu ALLOY      | GOLD PLATED   |
| 2    | INSERT                | PVC           | YELLOW        |
| 1    | RECEPTACLE SHELL      | ZINC DIE-CAST | BLACK E-COAT  |

|   |                              |   |   |   |                        |
|---|------------------------------|---|---|---|------------------------|
| REV EC NO: IPG2017-0940<br>DRWN: RSTONE<br>CHKD: K COX<br>APPR: BWOODMAN<br>4/10/17<br>2017/04/28<br>2016/08/19 | DESCRIPTION<br>KNOCKOUT HOLE | DIMENSION STYLE<br>IN/MM                | SCALE<br>---  | DESIGN UNITS<br>INCH                                | THIRD ANGLE PROJECTION |
|   |                              | DIMENSION TOLERANCES (UNLESS SPECIFIED) | DRAWN BY DATE<br>RSTONE 2016/08/01  | TITLE<br>MINI CHANGE RECEPTACLE MALE 2 TO 6P 16 AWG |                        |
|   |                              | SYMBOLS<br>▽=0<br>◻=0                   | CHECKED BY DATE<br>K COX 2017/04/28   | MOLEX INCORPORATED                                  |                        |
|   |                              | ANGULAR ±1°                             | APPROVED BY DATE<br>TWOLDEGE 2016/08/19   | DOCUMENT NO.<br>SD-130013-120                       |                        |
| DRAFT WHERE APPLICABLE MUST REMAIN WITHIN DIMENSIONS  | MATERIAL NO.<br>-            | SHEET NO.<br>1 OF 1                     | THIS DRAWING CONTAINS INFORMATION THAT IS PROPRIETARY TO MOLEX INCORPORATED AND SHOULD NOT BE USED WITHOUT WRITTEN PERMISSION |   |                        |