

6

5

4

3

2

1

PART LIST

MOLEX PN	ENGINEERING NO.	LENGTH + TOL.[mm]
1300100071	114030K12M700	70000 + 1400
1300100072	114030K12M800	80000 + 1600
1300100863	114030K12M005	500 + 45
1300100864	114030K12M010	1000 + 56
1300100865	114030K12M020	2000 + 89
1300100866	114030K12M030	3000 + 89
1300100867	114030K12M040	4000 + 165
1300100868	114030K12M050	5000 + 165
1300100869	114030K12M060	6000 + 165
1300100870	114030K12M070	7000 + 165
1300100871	114030K12M080	8000 + 317
1300100872	114030K12M090	9000 + 317
1300100873	114030K12M100	10000 + 317
1300100874	114030K12M110	11000 + 317
1300100875	114030K12M120	12000 + 317
1300100876	114030K12M130	13000 + 317
1300100877	114030K12M150	15000 + 610
1300100879	114030K12M170	17000 + 610
1300100880	114030K12M180	18000 + 610
1300100881	114030K12M190	19000 + 610
1300100882	114030K12M200	20000 + 610
1300100884	114030K12M230	23000 + 610
1300100885	114030K12M250	25000 + 610

MOLEX PN	ENGINEERING NO.	LENGTH + TOL.[mm]
1300100886	114030K12M300	30000 + 610
1300100887	114030K12M350	35000 + 700
1300100888	114030K12M380	38000 + 760
1300100889	114030K12M460	46000 + 920
1300100890	114030K12M540	54000 + 1080
1300100891	114030K12M610	61000 + 1220
1300101638	114030K12M400	40000 + 800
1300101683	114030K12M270	27000 + 610
1300101711	114030K12M900	90000 + 1800
1300101723	114030K12M340	34000 + 680
1300101724	114030K12M420	42000 + 840
1300101725	114030K12M500	50000 + 1000
1300101726	114030K12M570	57000 + 1140
1300101754	114030K12M600	60000 + 1200
1300101862	114030K12M015	1500 + 56
1300108347	114030K12M005H	500 + 45
1300108348	114030K12M050H	5000 + 165
1300108350	114030K12M060H	6000 + 165

SYMBOLS = 0 = 0 = 0 = 0 = 0 = 0 = 0 = 0 = 0 = 0 = 0	THIS DRAWING CONTAINS INFORMATION THAT IS PROPRIETARY TO MOLEX ELECTRONIC TECHNOLOGIES, LLC AND SHOULD NOT BE USED WITHOUT WRITTEN PERMISSION		
	DIMENSION UNITS: mm		SCALE: 1:1
	CURRENT REV DESC:		
	GENERAL TOLERANCES (UNLESS SPECIFIED)		
	ANGULAR TOL ± 0.5°		
EC NO: 635443		DRWN: ASZELAG	2020/04/07
		CHK'D: DSTACHOWIAK	2020/04/07
		APPR: DSTACHOWIAK	2020/04/07
INITIAL REVISION:			
DRWN: MKOWALCZYK01		2018/09/10	
APPR: MMATLA		2018/09/11	
DRAFT WHERE APPLICABLE MUST REMAIN WITHIN DIMENSIONS		THIRD ANGLE PROJECTION	DRAWING
		SERIES	MATERIAL NUMBER
		A4-SIZE	130010
		CUSTOMER	SHEET NUMBER
		GENERAL MARKET	2 OF 2
		DOCUMENT NUMBER	DOC TYPE
		1300100863	PSD
		000	A1
		REVISION	

CSE MC 4P MA STR TPE FE STR XM			
PRODUCT CUSTOMER DRAWING			
DOCUMENT NUMBER		DOC TYPE	REVISION
1300100863		PSD	000
		A1	

DOCUMENT STATUS	P1	RELEASE DATE	2020/04/07	09:29:35
-----------------	----	--------------	------------	----------

6

5

4

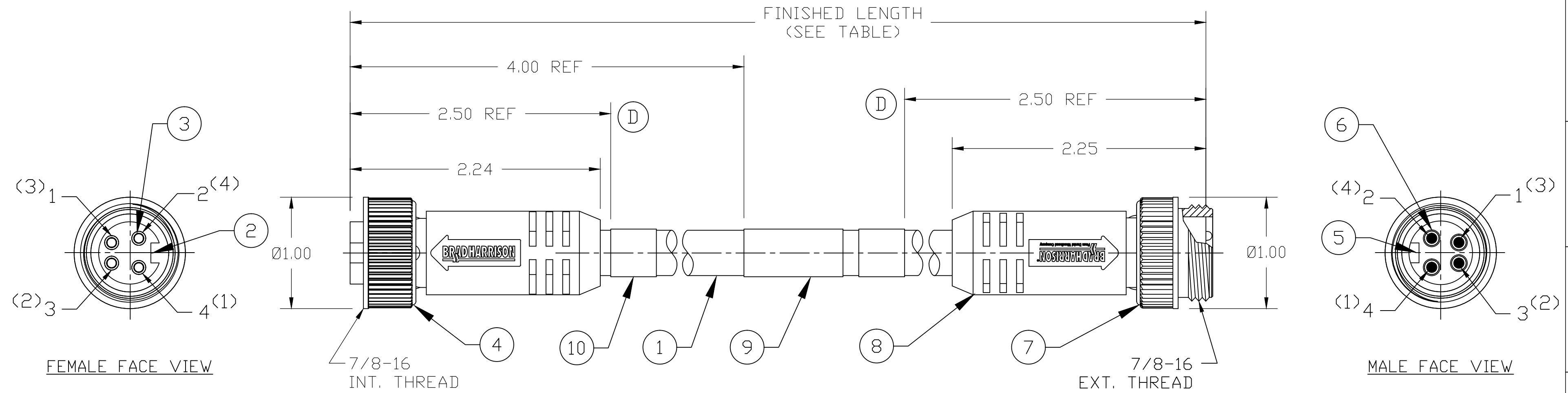
3

2

1

PART NO.	ENGINEERING NO.	FINISHED LENGTH
1300100863	114030K12M005	0.5M+44.5mm-0 [1'8"+1.75-0]
1300100864	114030K12M010	1.0M+55.6mm-0 [3'3"+2.19-0]
1300100865	114030K12M020	2.0M+88.9mm-0 [6'7"+3.50-0]

CHART



- NOTES:**
- MATERIAL:** SEE TABLE
 - FINISH:** SEE TABLE
 - ELECTRICAL:**
VOLTAGE: 483V PER IEC 60664
600V PER UL 2238
CURRENT: 8A
 - TEMP RATING:** -20° TO +90°C
 - PROTECTION:** IP67 (WHEN MATED)
 - UL CERTIFICATION:** UL FILE NO. E152210
 - ALL DIMS ARE FOR REFERENCE UNLESS NOTED OTHERWISE**
 - PARTS WITH "H" IN MATRIX HAVE TWO ID CARRIERS ONE ON EACH SIDE**

CENELEC EN 50 044 PINOUT SHOWN
(SAE-J-1738A SHOWN IN PARENTHESIS)

4 (1)	BLACK	4 (1)
3 (2)	BLUE	3 (2)
1 (3)	BROWN	1 (3)
2 (4)	WHITE	2 (4)

114030K12XXXXH

LENGTH	ID CARRIER
M010 = 1 METER	H - SEE NOTE 8
M100 = 10 METER	BLANK - NO ID CARRIERS
F050 = 5 FEET	
F500 = 50 FEET	
T=100 METER	
T001 = 101 METER	
T010 = 110 METER	

MECHANICAL CHARACTERISTICS:

TORSIONAL FLEX TEST	20 MILLION CYCLES PER MIL-C-13777G
BEND FLEX TEST	20 MILLION CYCLES PER MIL-C-13777G
WELD SLAG RESISTANCE	WOODHEAD STANDARD S-300

CABLE LENGTH TOLERANCES	
>.3M [1FT]:	+19mm-0 [+ .75in-0]
.3 - .9M [1 - 3FT]:	+44.5mm-0 [+1.75in-0]
.9 - 1.8M [3 - 6FT]:	+55.6mm-0 [+2.19in-0]
1.8 - 3.7M [6 - 12FT]:	+88.9mm-0 [+3.50in-0]
3.7 - 7.3M [12 - 24FT]:	+165.1mm-0 [+6.50in-0]
7.3-14.6M [24 - 48FT]:	+317.5mm-0 [+12.50in-0]
14.6 - 30.5M [48-100FT]:	+622.3mm-0 [+24.50in-0]
OVER 30M [100FT]	+2% OF FINISHED LENGTH

ITEM	DESCRIPTION	MATERIAL	FINISH
10	ID CARRIER	PVC	CLEAR
9	WRAP LABEL	VINYL	BLACK/YELLOW
8	OVERMOLD	ARNITEL	YELLOW
7	COUPLING, MALE	ZINC DIE-CAST	BLACK
6	CONTACT PIN	COPPER ALLOY	GOLD PLATED
5	MALE INSERT (A-SIZE)	ARNITEL	YELLOW
4	COUPLING, FEMALE	ZINC DIE-CAST	BLACK
3	CONTACT SOCKET	COPPER ALLOY	GOLD PLATED
2	FEMALE INSERT (A-SIZE)	ARNITEL	YELLOW
1	CABLE, 16/4 TC-ER (HI-FLEX)	TPE JACKET	YELLOW

ADD ID MARKERS
EC NO: IPG2018-0458
DRWN: MZIELINS 2018/04/10
CHKD: ---
APPR: BWOODMAN2012/03/08

QUALITY SYMBOL
▽=0
▽C=0

DESCRIPTION
REV

	GENERAL TOLERANCES (UNLESS SPECIFIED)	
	mm	INCH
4 PLACES	±---	±---
3 PLACES	±---	±---
2 PLACES	±---	±---
1 PLACE	±---	±---

ANGULAR ±---°

DRAFT WHERE APPLICABLE MUST REMAIN WITHIN DIMENSIONS

DIMENSION STYLE INCH ONLY	
DRAWN BY	DATE
VOU	2012/01/19
CHECKED BY	DATE
TWOLDEGE	2012/02/17
APPROVED BY	DATE
JFMURPHY	2012/03/08
MATERIAL NO.	---
SIZE	C

SCALE	DESIGN UNITS	THIRD ANGLE PROJECTION	
---	INCH		
TITLE			
MINI-CHANGE CORDSET 4P MALE/FEMALE ST/ST #16/4 TPE CABLE			
MOLEX INCORPORATED			
DOCUMENT NO.		SHEET NO.	
SD-130010-016		1 OF 1	
THIS DRAWING CONTAINS INFORMATION THAT IS PROPRIETARY TO MOLEX INCORPORATED AND SHOULD NOT BE USED WITHOUT WRITTEN PERMISSION			