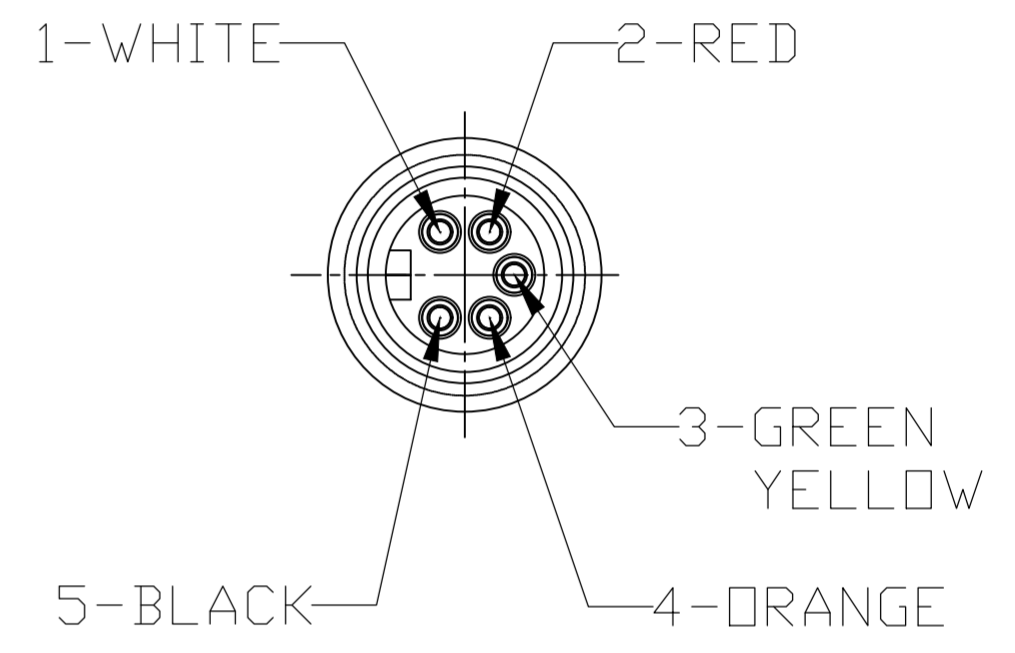
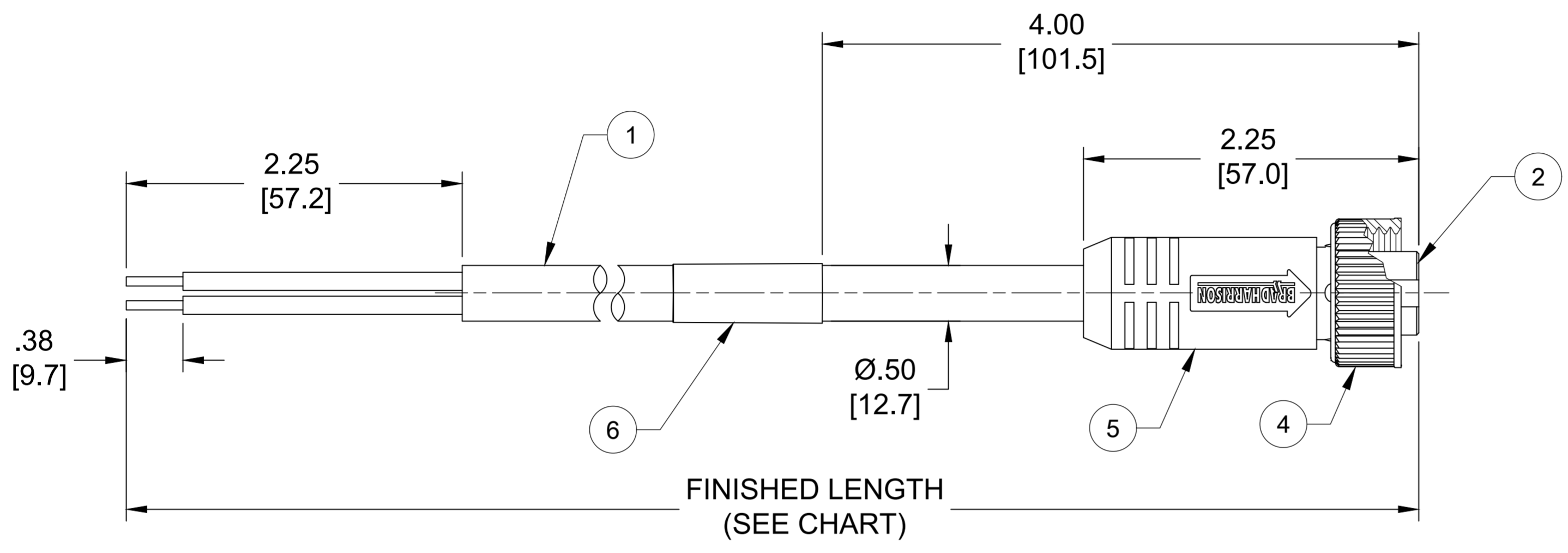


PART NO.	ENGINEERING NO.	FINISHED LENGTH
1300061160	105000A01F030	3.0FT [9.1M]
1300061163	105000A01F060	6.0FT [1.8M]
1300061179	105000A01F200	20.0FT [6.1M]
1300061226	105000A01M100	10M [32FT 10IN]

REF. THIS DRAWING SUPERSEDES SD-130006-001 REV-A (A)

PART NUMBER LEGEND

105000A01F030
 POLE COUNT →
 FINISHED LENGTH:
 F010= 1.0 FEET
 F100= 10.0 FEET
 M005= 0.5 METER
 M010= 1.0 METER
 M100= 10. METER



- NOTES:**
- MATERIAL: AS NOTED
 - FINISH: AS NOTED
 - ELECTRICAL:
 VOLTAGE: 400V PER IEC60664
 600V PER UL2238
 CURRENT: 8A
 - TEMP RATING: -20°TO +80°C
 - PROTECTION: IP67 (WHEN MATED)
 - COUPLING THREAD: 7/8-16UN
 - UL RECOGNIZED FILE: E152210
 CSA CERTIFIED FILE: LR6837
 - ALL DIMS ARE FOR REFERENCE UNLESS TOLERANCED OR NOTED OTHERWISE

CABLE LENGTH TOLERANCES

>.3M [1FT]:	+19mm-0 [+ .75in-0]
.3 - .9M [1 - 3FT]:	+44.5mm-0 [+1.75in-0]
.9 - 1.8M [3 - 6FT]:	+55.6mm-0 [+2.19in-0]
1.8 - 3.7M [6 - 12FT]:	+88.9mm-0 [+3.50in-0]
3.7 - 7.3M [12 - 24FT]:	+165.1mm-0 [+6.50in-0]
7.3-14.6M [24 - 48FT]:	+317.5mm-0 [+12.50in-0]
14.6 - 30.5M [48-100FT]:	+622.3mm-0 [+24.50in-0]
OVER 30M [100FT]	+2% OF FINISHED LENGTH

ITEM	DESCRIPTION	MATERIAL	FINISH
6	WRAP LABEL	VINYL	BLACK/YELLOW
5	OVERMOLD	TPE	YELLOW
4	COUPLING NUT, INT. THD	ZINC DIE-CAST	NICKEL PLATED
3	CONTACT SOCKET	COPPER ALLOY	GOLD PLATED
2	FEMALE INSERT	TPE	YELLOW
1	CABLE, 16/5, ST00W	PVC JACKET	YELLOW

SYMBOLS DIMENSION UNITS: INCH/MM SCALE: 1:1 GENERAL TOLERANCES (UNLESS SPECIFIED): 4 PLACES ±---- ±---- 3 PLACES ±---- ±---- 2 PLACES ±---- ±---- 1 PLACE ±---- ±---- 0 PLACES ±---- ±---- ANGULAR TOL ± ---- ° DRAFT WHERE APPLICABLE MUST REMAIN WITHIN DIMENSIONS	THIS DRAWING CONTAINS INFORMATION THAT IS PROPRIETARY TO MOLEX ELECTRONIC TECHNOLOGIES, LLC AND SHOULD NOT BE USED WITHOUT WRITTEN PERMISSION CURRENT REV DESC: REDRAWN, WAS SD-130006-001		molex MINI CHANGE CABLE ASSY, 5P, FEMALE, STR. 16AWG, ST00W, INTERNAL THREAD PRODUCT CUSTOMER DRAWING
	EC NO: 624117 DRWN: RSTONE 2019/09/11 CHK'D: MZIELINSKI 2019/09/19 APPR: BWOODMAN 2019/10/03	INITIAL REVISION: DRWN: RSTONE 2019/09/11 APPR: BWOODMAN 2019/10/03	
THIRD ANGLE PROJECTION DRAWING: C-SIZE SERIES: 130006	MATERIAL NUMBER: ---- CUSTOMER: ----	SHEET NUMBER: 1 OF 1	