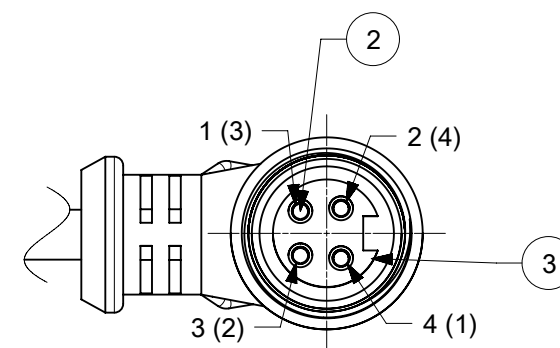


PART NUMBER MATRIX
104001K03M010

FINISH LENGTH
 M001 = 0.1 METER
 M010 = 1 METER
 M100 = 10 METER

CENELEC EN 50 044 PINOUT SHOWN
 (SAE-J-1738A SHOWN IN PARENTHESIS)



FEMALE FACE VIEW

BLACK	4 (1)
BLUE	3 (2)
BROWN	1 (3)
WHITE	2 (4)

NOTE:

- MATERIAL: SEE TABLE
- FINISHES: SEE TABLE
- ELECTRICAL DATA
 MAX. VOLTAGE: 300V
 MAX. CURRENT: 5.6A
- ENVIRONMENTAL
 PROTECTION: IP67 WHEN FULLY MATED
 TEMPERATURE RATING: -40C TO 105C
- COUPLING THREAD: 7/8-16 UN
- ALL DIMS ARE FOR REFERENCE UNLESS TOLERANCED OR NOTED OTHERWISE

PART NO.	ENGINEERING NO.	FINISHED LENGTH
1300062562	104001K03M010	1M
1300060982	104001K03M020	2M
1300060983	104001K03M030	3M
1300060984	104001K03M050	5M
1300060987	104001K03M100	10M
1300062563	104001K03M150	15M
1300062564	104001K03M200	20M

CABLE LENGTH TOLERANCES
 >.3M [1FT]: +19mm-0 [+.75in-0]
 .3 - .9M [1 - 3FT]: +44.5mm-0 [+1.75in-0]
 .9 - 1.8M [3 - 6FT]: +55.6mm-0 [+2.19in-0]
 1.8 - 3.7M [6 - 12FT]: +88.9mm-0 [+3.50in-0]
 3.7 - 7.3M [12 - 24FT]: +165.1mm-0 [+6.50in-0]
 7.3-14.6M [24 - 48FT]: +317.5mm-0 [+12.50in-0]
 14.6 - 30.5M [48-100FT]: +622.3mm-0 [+24.50in-0]
 OVER 30M [100FT] +2% OF FINISHED LENGTH

ITEM	DESCRIPTION	MATERIAL	FINISH
6	WRAP LABEL	VINYL	YELLOW/BLACK
5	OVER MOLD	TPE	YELLOW
4	MALE COUPLING NUT	ZINC	BLACK
3	4P FEMALE INSERT	TPE	YELLOW
2	SOCKET CONTACT	CU ALLOY	GOLD PLATED
1	CABLE 18/4 AWG SHIELDED	TPE JACKET	YELLOW

SYMBOLS		THIS DRAWING CONTAINS INFORMATION THAT IS PROPRIETARY TO MOLEX ELECTRONIC TECHNOLOGIES, LLC AND SHOULD NOT BE USED WITHOUT WRITTEN PERMISSION		CURRENT REV DESC: RELEASE	
▽ = 0	DIMENSION UNITS	SCALE	HYBRID 1:1		
▽ = 0	GENERAL TOLERANCES (UNLESS SPECIFIED)		EC NO: 621173		
▽ = 0	ANGULAR TOL ± °	DRWN: ALEON01		2019/08/02	
▽ = 0	4 PLACES ±	CHK'D: CCHRSTKA		2019/08/05	
▽ = 0	3 PLACES ±	APPR: BWOODMAN		2019/08/14	
▽ = 0	2 PLACES ±	INITIAL REVISION:			
▽ = 0	1 PLACE ±	DRWN: ALEON01		2019/08/02	
▽ = 0	0 PLACES ±	APPR: BWOODMAN		2019/08/14	
▽ = 0	DRAFT WHERE APPLICABLE MUST REMAIN WITHIN DIMENSIONS	THIRD ANGLE PROJECTION	DRAWING	SERIES	MATERIAL NUMBER
▽ = 0			B-SIZE	130006	CUSTOMER

molex

MC 4P FE/90 #18/4

PRODUCT CUSTOMER DRAWING

DOCUMENT NUMBER	DOC TYPE	DOC PART	REVISION
1300062562	PSD	000	A