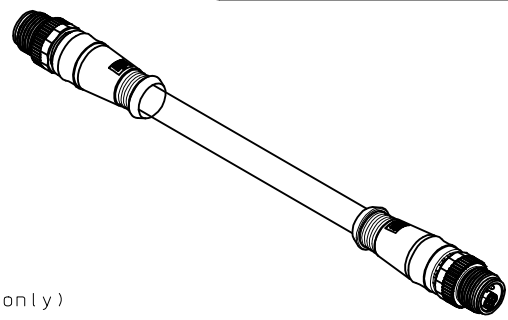


Beispiel für Kabelbedruckung
EXAMPLE FOR CABLE PRINTING
Molex Connectivity GmbH <15mm> Material-No. aus TAB.1 <8mm> Prod.Date <8mm> Kabellänge



TAB.:1

Description:
M12 Hybrid Cordset applications.
Transmission after CAT5e (Signal contacts only)
Special coding.

Electrical Data:
Signal: 4 Poles
Max. Voltage: 30V
Max. Current: 0,5A at 55°C
Contact resistance: <5 mOhm
Insulation withstand: >100 MOhm
Impedance: 100 Ohm
HF performance testing: limits class D/CAT5e,
according ISO IEC 11801/TIA-568-C.2 "Permanent Link"

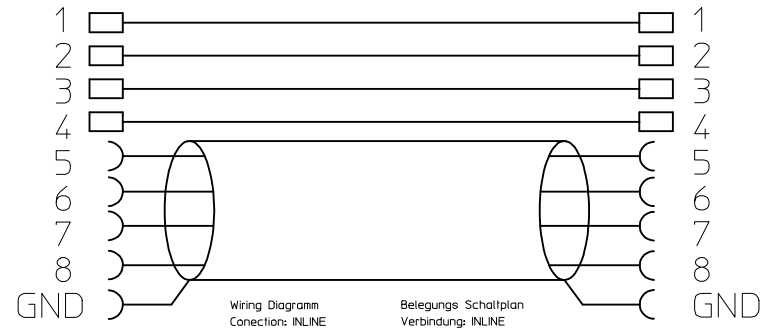
Power:
Max. Voltage: 30V
Max. Current: 6A at 55°C
Contact resistance: <5 mOhm
Insulation withstand: >100 MOhm

Environmental:
Protection: IP67
Temperature Range: -25°C to 75°C

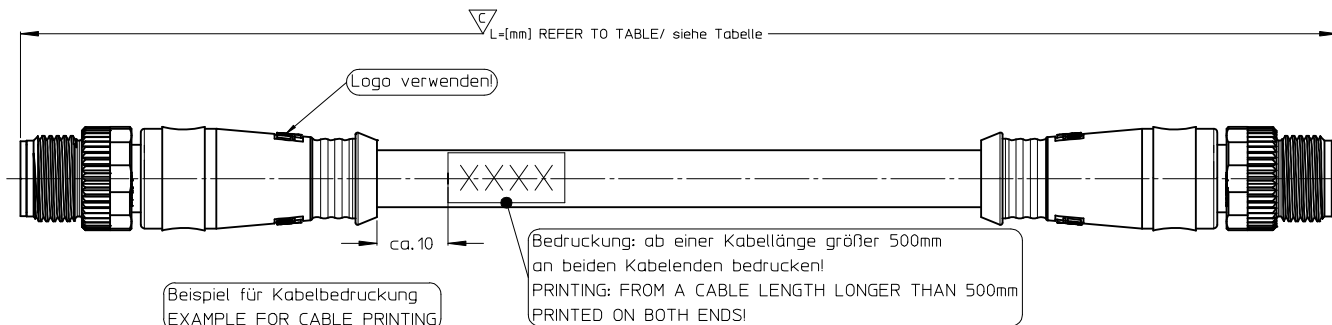
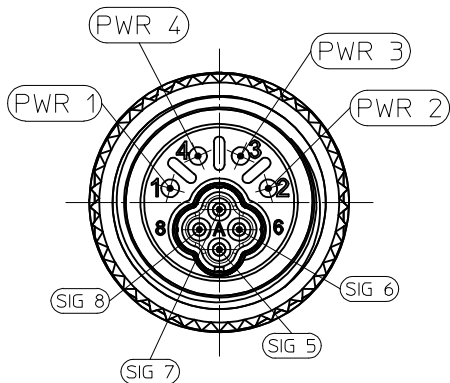
Packaging:
The cordset is packed and shipped out in a cardboard box.

P/N	Description / L=(mm)
120244-0200	D/E Cordset male straight "Schleppkette" 250
120244-0201	D/E Cordset male straight "Schleppkette" 500
120244-0202	D/E Cordset male straight "Schleppkette" 1000
120244-0203	D/E Cordset male straight "Schleppkette" 1500
120244-0204	D/E Cordset male straight "Schleppkette" 2000
120244-0205	D/E Cordset male straight "Schleppkette" 5000
120244-0206	D/E Cordset male straight "Schleppkette" 8000
120244-0207	D/E Cordset male straight "Schleppkette" 10000
120244-0208	D/E Cordset male straight "Schleppkette" 15000

- 1 - Power 0V
- 2 - Power 0V_{Lost}
- 3 - Power 24V_{Lost}
- 4 - Power 24V
- 5 - Signal TX+
- 6 - Signal RX-
- 7 - Signal TX-
- 8 - Signal RX+
- Shielding / GND

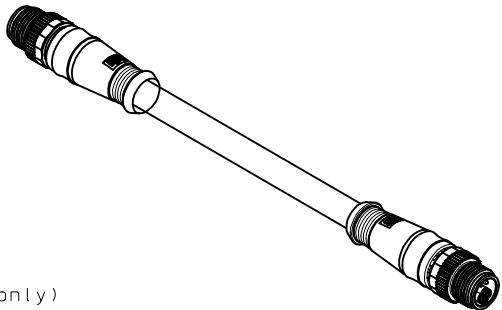


ENTER DESCRIPTION EC NO: IPG2015-1413 DRW:RSJILLER 2016/10/25 CHKD:RSCHIEBER 2016/11/22 APPR:RSJILLER 2016/11/22	QUALITY SYMBOLS ▽=0 ▽=1	GENERAL TOLERANCES (UNLESS SPECIFIED)		DIMENSION STYLE MM ONLY	SCALE 2:1	DESIGN UNITS METRIC	THIRD ANGLE PROJECTION	
		4 PLACES ± --- ± ---	mm INCH	DRAWN BY RSJILLER	DATE 2011/02/21	TITLE CSE M12 8P 0C MF STR PUR DE SHLD		
		3 PLACES ± --- ± ---	2 PLACES ± 0.05 ± ---	CHECKED BY CFOERDERER	DATE 2011/02/24	MATERIAL NO. SD-120244-200		
		1 PLACE ± 0.1 ± ---	ANGULAR ± ---°	APPROVED BY AVOGT	DATE 2011/02/24	MOLEX INCORPORATED		
DRAFT WHERE APPLICABLE MUST REMAIN WITHIN DIMENSIONS	SEE CHART	THIS DRAWING CONTAINS INFORMATION THAT IS PROPRIETARY TO MOLEX INCORPORATED AND SHOULD NOT BE USED WITHOUT WRITTEN PERMISSION		SHEET NO. 1 OF 1				



Beispiel für Kabelbedruckung
EXAMPLE FOR CABLE PRINTING

Molex Connectivity GmbH <15mm> Material-No. aus TAB.1 <8mm> Prod.Date <8mm> Kabellänge



TAB.:1

Description:
M12 Hybrid Cordset applications.
Transmission after CAT5e (Signal contacts only)
Special coding.

Electrical Data:
Signal: 4 Poles
Max. Voltage: 30V
Max. Current: 0,5A at 55°C
Contact resistance: <5 mOhm
Insulation withstand: >100 MOhm
Impedance: 100 Ohm
HF performance testing: limits class D/CAT5e,
according ISO IEC 11801/TIA-568-C.2 "Permanent Link"

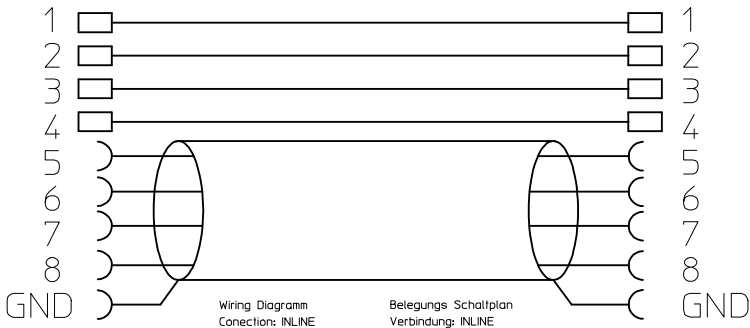
Power:
Max. Voltage: 30V
Max. Current: 6A at 55°C
Contact resistance: <5 mOhm
Insulation withstand: >100 MOhm

Environmental:
Protection: IP67
Temperature Range: -25°C to 75°C

Packaging:
The cordset is packed and shipped out in a cardboard box.

- 1 - Power 0V
- 2 - Power 0V_{Lost}
- 3 - Power 24V_{Lost}
- 4 - Power 24V
- 5 - Signal TX+
- 6 - Signal RX-
- 7 - Signal TX-
- 8 - Signal RX+
- Shielding / GND

P/N	Description / L=(mm)
120244-0200	D/E Cordset male straight "Schleppkette" 250
120244-0201	D/E Cordset male straight "Schleppkette" 500
120244-0202	D/E Cordset male straight "Schleppkette" 1000
120244-0203	D/E Cordset male straight "Schleppkette" 1500
120244-0204	D/E Cordset male straight "Schleppkette" 2000
120244-0205	D/E Cordset male straight "Schleppkette" 5000
120244-0206	D/E Cordset male straight "Schleppkette" 8000
120244-0207	D/E Cordset male straight "Schleppkette" 10000
120244-0208	D/E Cordset male straight "Schleppkette" 15000



ENTER DESCRIPTION EC NO: IPG2015-1413 DRW:RSJILLER 2016/10/25 CHKD:RSCHIEBER 2016/11/22 APPR:RSJILLER 2016/11/22 A3	QUALITY SYMBOLS ▽=0 ▽=1	GENERAL TOLERANCES (UNLESS SPECIFIED)		DIMENSION STYLE MM ONLY	SCALE 2:1	DESIGN UNITS METRIC	THIRD ANGLE PROJECTION	
		4 PLACES ± --- ± ---	mm INCH	DRAWN BY RSJILLER	DATE 2011/02/21	TITLE CSE M12 8P 0C MF STR PUR DE SHLD		
		3 PLACES ± --- ± ---	2 PLACES ± 0.05 ± ---	CHECKED BY CFOERDERER	DATE 2011/02/24	MATERIAL NO. SD-120244-200		
		1 PLACE ± 0.1 ± ---	ANGULAR ± ---°	APPROVED BY AVOGT	DATE 2011/02/24	MOLEX INCORPORATED DOCUMENT NO.		
DRAFT WHERE APPLICABLE MUST REMAIN WITHIN DIMENSIONS		SEE CHART		THIS DRAWING CONTAINS INFORMATION THAT IS PROPRIETARY TO MOLEX INCORPORATED AND SHOULD NOT BE USED WITHOUT WRITTEN PERMISSION			SHEET NO. 1 OF 1	