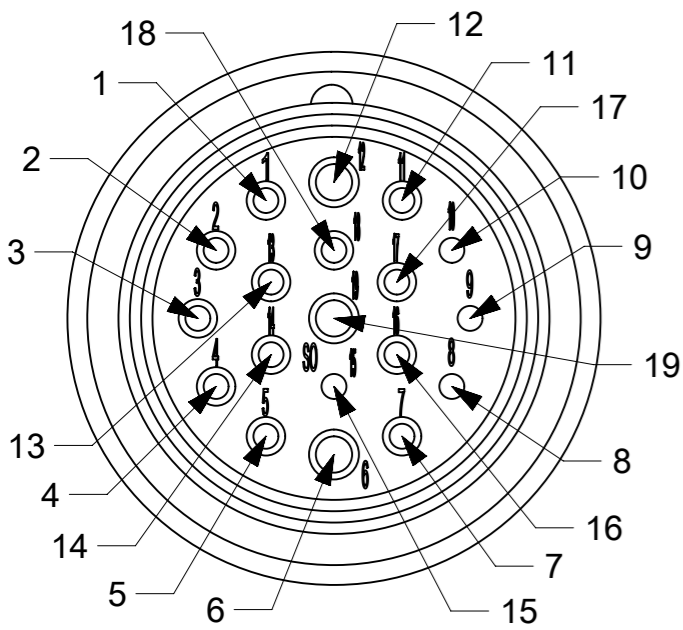
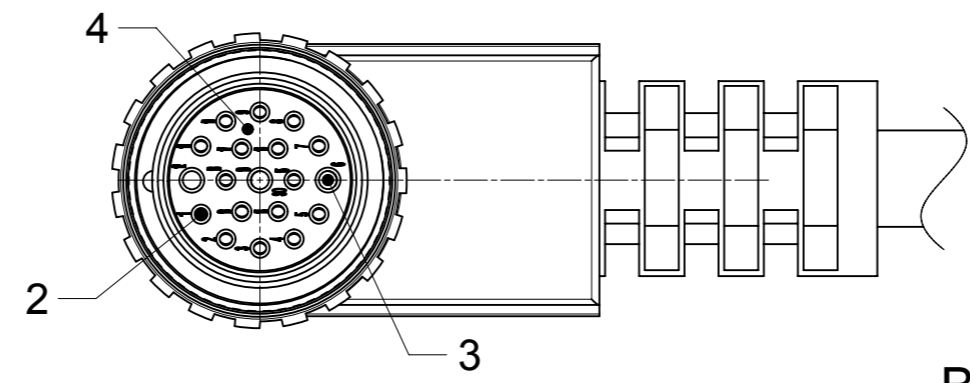
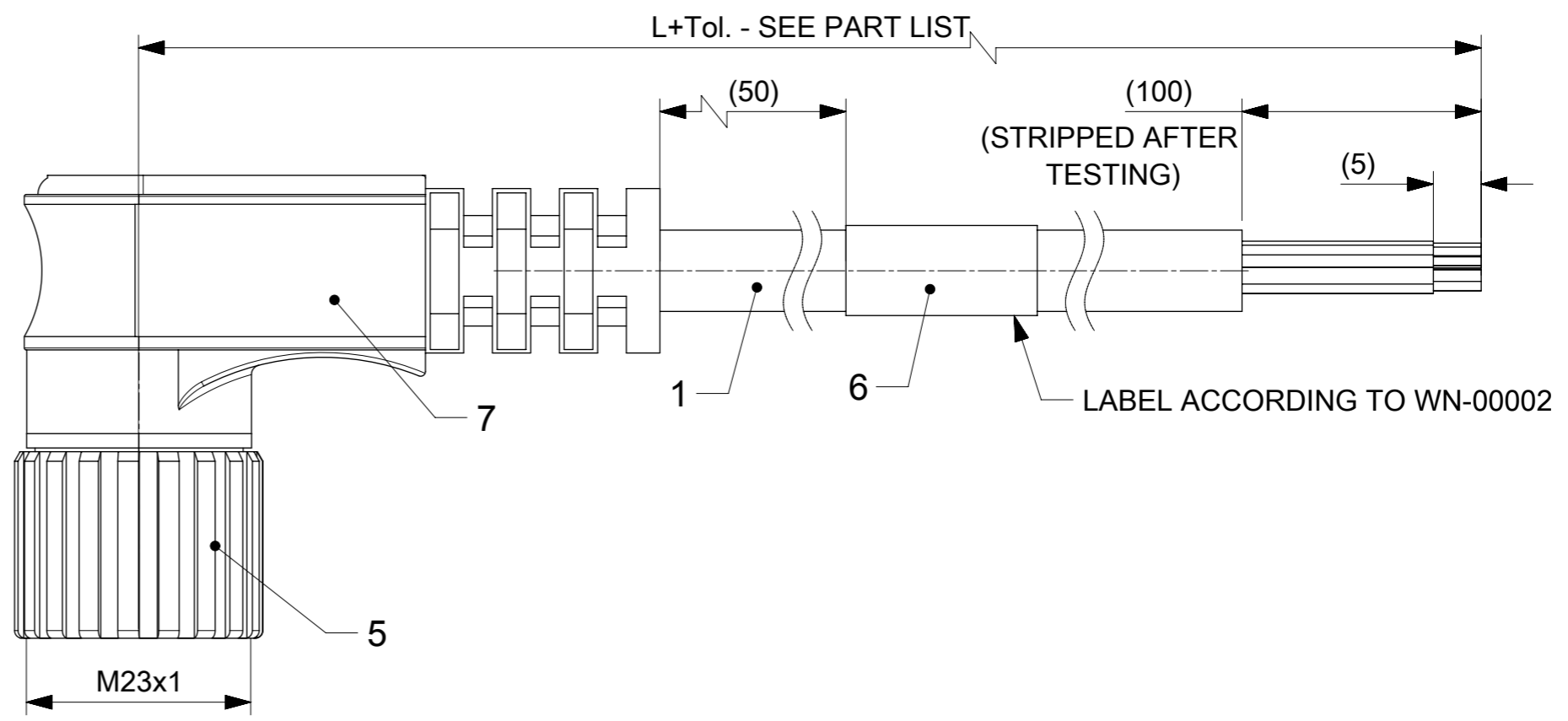


M23 19 POLE FEMALE



Pin	Wire color
1	VT
2	RD
3	GY
4	RD-BU
5	GN
6	BU
7	GY-PK
8	WH-GN
9	WH-YE
10	WH-GY
11	BK
12	GN-YE
13	YE-BN
14	BN-GN
15	WH
16	YE
17	PK
18	GY-BN
19	BN

VIEW FROM THE FRONT SIDE



VIEW FROM THE FRONT SIDE

WIRING DIAGRAM

1	VIOLET
2	RED
3	GREY
4	RED-BLUE
5	GREEN
6	BLUE
7	GREY-PINK
8	WHITE-GREEN
9	WHITE-YELLOW
10	WHITE-GREY
11	BLACK
12	GREEN-YELLOW
13	YELLOW-BROWN
14	BROWN-GREEN
15	WHITE
16	YELLOW
17	PINK
18	GREY-BROWN
19	BROWN

BOM

ITEM	QTY	DESCRIPTION	MATERIAL	FINISH
7	-	MOULDING	TPU	BLACK
6	1	LABEL	VINYL	YELLOW
5	1	COUPLING NUT M23 FE	BRASS	Ni PLATED
4	1	INSERT 19P FE	PUR	BLACK
3	3	CONTACT FE	BRASS	Au OVER Ni
2	16	CONTACT 10 FE	COPPER	Ni PLATED
1	-	CABLE	PUR	BLACK
ITEM	QTY	DESCRIPTION	MATERIAL	FINISH

THIS DRAWING CONTAINS INFORMATION THAT IS PROPRIETARY TO MOLEX ELECTRONIC TECHNOLOGIES, LLC AND SHOULD NOT BE USED WITHOUT WRITTEN PERMISSION

SYMBOLS	DIMENSION UNITS: mm	SCALE: 1.5:1	CURRENT REV DESC: TRANSFER DRW TO ECTR		
▽ = 0	GENERAL TOLERANCES (UNLESS SPECIFIED)				
▽ = 0	ANGULAR TOL ± °		EC NO: 618530		
▽ = 0	4 PLACES ±		DRWN: MDHARMANTI 2019/06/03		
▽ = 0	3 PLACES ±		CHK'D: RSILLER 2019/06/06		
▽ = 0	2 PLACES ± 0.05		APPR: RSILLER 2019/06/06		
▽ = 0	1 PLACE ± 0.1		INITIAL REVISION:		
▽ = 0	0 PLACES ±		DRWN: MDHARMANTI 2019/06/03		
▽ = 0	DRAFT WHERE APPLICABLE MUST REMAIN WITHIN DIMENSIONS		APPR: RSILLER 2019/06/06		
THIRD ANGLE PROJECTION	DRAWING	SERIES	MATERIAL NUMBER	CUSTOMER	SHEET NUMBER
	A3-SIZE	120094	SEE SHEET 2	GENERAL MARKET	1 OF 2

PART No MATRIX

K 0 3 0 0 1 P 8 0 M X X X

K0=M23x1 SINGLE ENDED

POLES:
3=19 POLES

HEAD STYLE:
001=FEMALE

CABLE TYPE:
P80=3x0,75+16x0,34 PUR BLACK

UNIT:
M=METER

LENGHT -
EXAMPLE:
010=1m
050=5m
100=10m

CABLE SPECIFICATION FOR CABLE TYPE P80 :

CONDUCTOR A:
MATERIAL: BARE COPPER
SECTION: 0.75mm²/19AWG
STRANDING: 42X0.15mm

INSULATION A:
COMPOUND: PVC
DIAMETER: 2.0 ±0.10mm

CONDUCTOR B:
MATERIAL: BARE COPPER
SECTION:- 0.34mm²/22AWG

INSULATION B:
COMPOUND: PVC
DIAMETER: 1.55 ±0.10mm

JACKET:
COMPOUND: BLEND PUR
COLOR: BLACK
DIAMETER: 11.40 ±0.25mm
TEMPERATURE RANGE:
STATIC: -5°C TO +90°C
DINAMIC: -30°C TO +90°C
VOLTAGE RATING: 300V

NOTES:

VOLTAGE RATING : 63V AC/DC
AMPERAGE RATING : 6.0 A
PROTECTION CLASS : IP67
OPERATING TEMPERATURE : -25° TO 90°C
UL CERTIFICATIONS : NOT APPLICABLE
CSA CERTIFICATIONS : NOT APPLICABLE

PART LIST

MOLEX PN	ENGINEERING No	L [mm]
1200940044	K03001P80M100	10000
1200945017	K03001P80M200	20000
1200945027	K03001P80M050	5000
1200945028	K03001P80M150	15000
1200948061	K03001P80M300	30000
1200948105	K03001P80M250	25000
1200948116	K03001P80M350	35000
1200948117	K03001P80M400	40000
1200948138	K03001P80M010	1000

CABLE LENGTH TOLERANCES		
OVER [mm]	UP TO AND INCLUDING [mm]	TOLERANCES [mm]
0	305	+19
305	915	+45
915	1830	+56
1830	3660	+89
3660	7320	+165
7320	14640	+317
14640	30500	+610
30500	>	+2% OF FINISHED LENGTH

SYMBOLS	THIS DRAWING CONTAINS INFORMATION THAT IS PROPRIETARY TO MOLEX ELECTRONIC TECHNOLOGIES, LLC AND SHOULD NOT BE USED WITHOUT WRITTEN PERMISSION	
	DIMENSION UNITS	SCALE
▽ = 0	mm	1:1
▽ = 0	GENERAL TOLERANCES (UNLESS SPECIFIED)	
▽ = 0	ANGULAR TOL	± °
▽ = 0	4 PLACES	±
▽ = 0	3 PLACES	±
▽ = 0	2 PLACES	± 0.05
▽ = 0	1 PLACE	± 0.1
▽ = 0	0 PLACES	±
■ = 0	DRAFT WHERE APPLICABLE MUST REMAIN WITHIN DIMENSIONS	
▽ = 0	THIRD ANGLE PROJECTION	DRAWING
	A3-SIZE	SERIES
	120094	MATERIAL NUMBER
	SEE PART LIST	CUSTOMER
	GENERAL MARKET	SHEET NUMBER
	2 OF 2	