

**PLEASE CHECK WWW.MOLEX.COM FOR LATEST PART INFORMATION**

**Part Number:** [120084-0017](#)  
**Status:** **Active**  
**Overview:** Brad® Ultra-Lock® Connection System  
**Description:** Ultra-Lock® (M12) 5 Poles, Front Panel Mount Receptacle, Male, 1/2"-14 NPT Mounting Threads, 22 AWG PVC Leads, Length 0.30m

**Documents:**

[Drawing \(PDF\)](#) [RoHS Certificate of Compliance \(PDF\)](#)

**Agency Certification**

CSA LR6837

**General**

Product Family Industrial Receptacles  
 Series [120084](#)  
 IP Rating IP69K  
 NEMA Rating NEMA 6  
 Overview [Brad® Ultra-Lock® Connection System](#)  
 Product Name Ultra-Lock® (M12)  
 Type Single Ended (pigtail)  
 UPC 78678888404

**Physical**

Coupling Type External Thread  
 Gender Male  
 Keyway Single  
 Length 0.30m  
 Material - Component Nickel-plated Brass  
 Mounting Thread Size 1/2" - 14 NPT  
 Net Weight 66.130/g  
 Orientation Straight  
 Panel Mount Front  
 Poles 5  
 Temperature Range - Operating -25°C to +90°C  
 Wire Size AWG 22  
 Wire/Cable Type Leads, UL 1061

**Electrical**

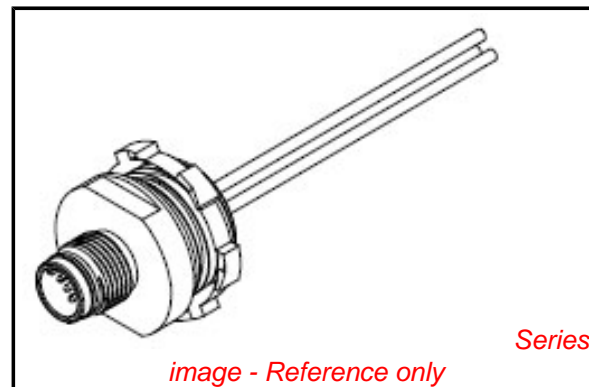
Current - Maximum per Contact 4A  
 Voltage - Maximum 250V AC/DC

**Material Info**

Old Part Number WR5006A18C300

**Reference - Drawing Numbers**

Sales Drawing SD-120084-028



*image - Reference only*

**EU RoHS**

**ELV and RoHS  
Compliant**  
**REACH SVHC  
Not Reviewed**  
**Low-Halogen Status  
Not Reviewed**

**China RoHS**



**Need more information on product  
environmental compliance?**

Email [productcompliance@molex.com](mailto:productcompliance@molex.com)  
 For a multiple part number RoHS Certificate of Compliance, [click here](#)

Please visit the [Contact Us](#) section for any non-product compliance questions.

**Search Parts in this Series**

[120084Series](#)