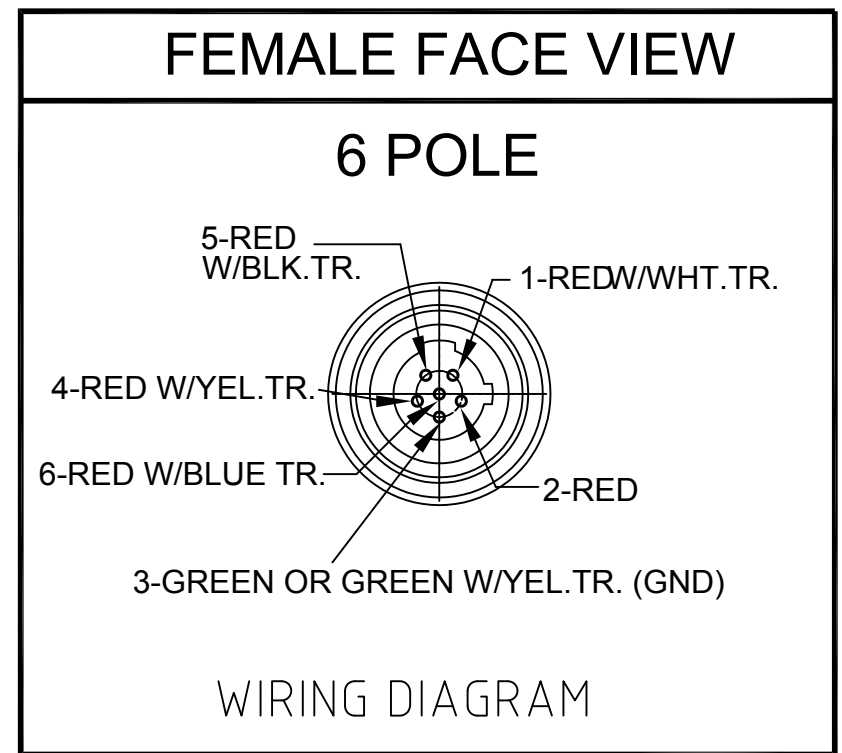


POL	MATERIAL NUMBER	ENGINEERING NUMBER	FINISHED LENGTH
6	1200720568	706000D02F060	6.00' +3.50" -0 [1.8M +88.9 -0]

CONNECTOR SPECIFICATION:

VOLTAGE RATING	250 VAC/VDC
AMPERAGE RATING	max. 4 AMPS
PROTECTION	IP67
OPERATING TEMPERATURE	-20°C TO 105°C
UL CERTIFICATIONS	UL LISTED, FILE NO. E152210
CSA CERTIFICATIONS	CSA CERTIFIED, FILE NO. LR6837



ITEM	COMPONENT	MATERIAL	FINISH
7	LABLE	MYLAR	BLACK/YELLOW
6	O-RING	NITRILE	RED
5	COUPLING NUT	ZINC DIE CAST/ BRASS	BLACK E-COATED/ NICKEL PLATED
4	CONTACT SOCKET	COPPER ALLOY	GOLD OVER NICKEL
3	INSERT	NYLON	BLACK
2	OVERMOLD	PVC	YELLOW
1	CABLE- 22 AWG (26x#36 COPPER STRANDING) 6 CONDUCTORS BRAID SHIELD 300V	PVC	YELLOW

DESCRIPTION EC NO: WEU2010-0417 DRWN: LSTEMMLE CHKD: NS APPR: FPACHER 08.03.10 2010/03/10	QUALITY SYMBOLS ▽ = 0 ▽ = 0	GENERAL TOLERANCES (UNLESS SPECIFIED) mm INCH 4 PLACES ± --- ± --- 3 PLACES ± --- ± --- 2 PLACES ± --- ± .01 1 PLACE ± 0.3 ± --- ANGULAR ± --- °	DIMENSION STYLE IN/MM DRAWN BY DATE LSTEMMLE 2010/02/05 CHECKED BY DATE FP 2010/03/09 APPROVED BY DATE FPACHER 2010/03/09	SCALE 2:1 DESIGN UNITS METRIC THIRD ANGLE PROJECTION	MICRO-CHANGE COERDSET 6-P DUAL KEYWAY FE STR BRAID SHIELD PVC CABLE
	DRAFT WHERE APPLICABLE MUST REMAIN WITHIN DIMENSIONS	SIZE A3	MATERIAL NO. SEE TABLE	MOLEX INCORPORATED DOCUMENT NO. SD-120072-013	SHEET NO. 1 OF 1

THIS DRAWING CONTAINS INFORMATION THAT IS PROPRIETARY TO MOLEX INCORPORATED AND SHOULD NOT BE USED WITHOUT WRITTEN PERMISSION