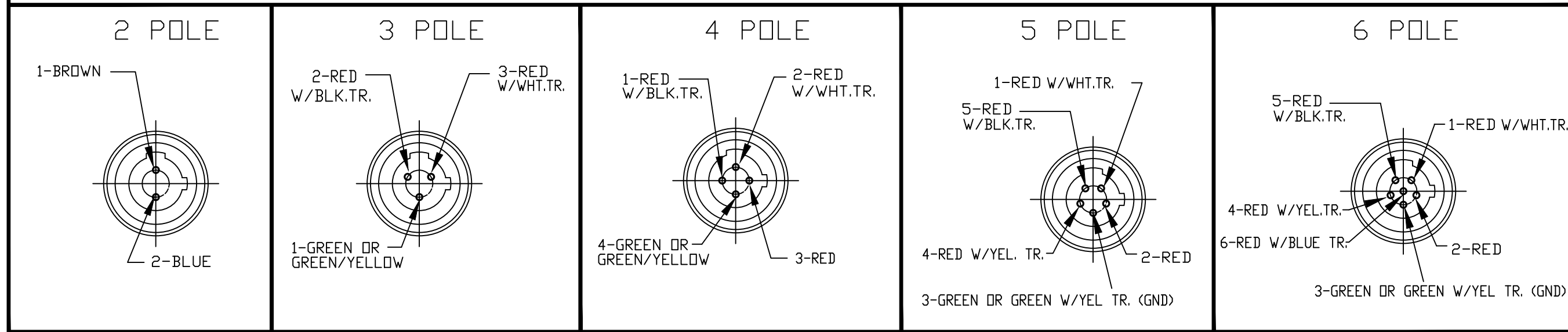


FRONT VIEW — FEMALE INSERT WIRING COLOR CODE



CABLE LENGTH TOLERANCES

>.3M [1FT]: +19mm-0 [+.75in-0]
 .3 - .9M [1 - 3FT]: +44.5mm-0 [+1.75in-0]
 .9 - 1.8M [3 - 6FT]: +55.6mm-0 [+2.19in-0]
 1.8 - 3.7M [6 - 12FT]: +88.9mm-0 [+3.50in-0]
 3.7 - 7.3M [12 - 24FT]: +165.1mm-0 [+6.50in-0]
 7.3-14.6M [24 - 48FT]: +317.5mm-0 [+12.50in-0]
 14.6 - 30.5M [48-100FT]: +622.3mm-0 [+24.50in-0]
 OVER 30M [100FT] +2% OF FINISHED LENGTH

PART NUMBER LEGEND

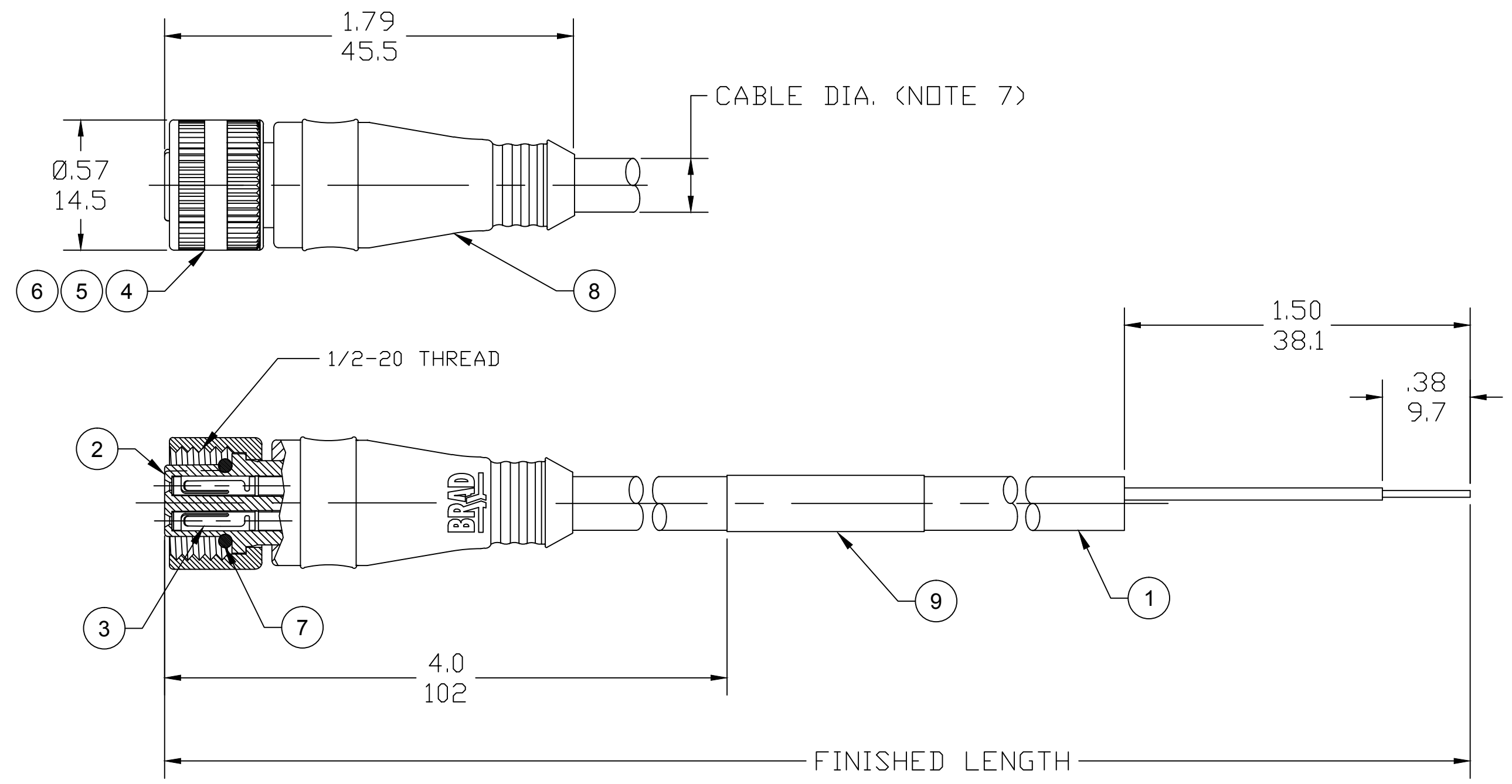
702000D02F0601 (A1)

CABLE TYPE
22AWG SHLD, PVC

COUPLING NUT OPTIONS
BLANK= DIE CAST ZINC
1= 303 STAINLESS STEEL
2= NON METALLIC
8= 316 ST. STEEL

FINISHED LENGTH:
F010= 1 FOOT
F100= 10FEET

M005= 0.5 METER
M010= 1 METER
M100= 10 METER



- NOTES:**
1. MATERIAL: AS NOTED
 2. FINISH: AS NOTED
 3. ELECTRICAL:
VOLTAGE: 250 VOLTS AC/DC
CURRENT: 4A
 4. TEMP RATING: -20°TO +105°C
 5. PROTECTION: IP67 (WHEN MATED)
 6. COUPLING THREAD: 1/2-20 UNF
 7. CABLE DIA: MIN .20 FOR 2 CIR, MAX .25 FOR 6 CIR
 8. ALL DIMS ARE FOR REFERENCE UNLESS NOTED OTHERWISE

CHART

PART NO.	ENGINEERING NO.	FINISHED LENGTH
1200720058	702000D02F020	2 FEET
1200720062	702000D02F0601	6 FEET
1200720574	706000D02F1202	12 FEET

ITEM	DESCRIPTION	MATERIAL	FINISH
9	FLAG LABEL	VINYL	BLACK/YELLOW
8	OVERMOLD	PVC	YELLOW
7	□-RING	NITRILE	RED
6	COUPLING NUT, FEMALE THD0 (-2 OPT)	DELTRIN	WHITE
5	COUPLING NUT, FEMALE THD (-1 & -8 OPT)	ST. STEEL	PASSIVATED
4	COUPLING NUT, FEMALE THD (STD OPT)	ZINC DIE-CAST	BLACK
3	CONTACT SOCKET	COPPER ALLOY	GOLD PLATED
2	FEMALE INSERT	NYLON	BLACK
1	CABLE, 22 AWG, SHIELDED	PVC JACKET	YELLOW

CORRECT PIN LEGEND EC NO: IPG2019-0338 DRWN: RSTONE 1/15/19 CHKD: BWOODMAN2017/07/19 APPR: BWOODMAN2017/07/21	QUALITY SYMBOL ▽=0 ▽C=0	GENERAL TOLERANCES (UNLESS SPECIFIED) 4 PLACES ±--- 3 PLACES ±--- 2 PLACES ±--- 1 PLACE ±---	DIMENSION STYLE IN/MM	SCALE ---	DESIGN UNITS INCH	THIRD ANGLE PROJECTION	
	DRAFT WHERE APPLICABLE MUST REMAIN WITHIN DIMENSIONS	DRAWN BY: RSTONE DATE: 2017/07/14	CHECKED BY: M ZIELIN DATE: 2017/07/19	APPROVED BY: BWOODMAN DATE: 2017/07/21	TITLE MIC CORD ASSY 2-6 POLE FEMALE, DUAL KEY 22 AWG SHIELDED PVC	MOLEX INCORPORATED	SHEET NO. 1 OF 1
	MATERIAL NO. -	DOCUMENT NO. SD-120072-022	THIS DRAWING CONTAINS INFORMATION THAT IS PROPRIETARY TO MOLEX INCORPORATED AND SHOULD NOT BE USED WITHOUT WRITTEN PERMISSION				
	SIZE C						