

**PLEASE CHECK WWW.MOLEX.COM FOR LATEST PART INFORMATION**

**Part Number:** [120070-0245](#)  
**Status:** **Active**  
**Overview:** Brad® Micro-Change® (M12) Connectors  
**Description:** Micro-Change® (M12) PCB Mounting Receptacle, 5 Pole, Male, 90° Angle

**Documents:**

[Drawing \(PDF\)](#) [RoHS Certificate of Compliance \(PDF\)](#)

**General**

|                |                                                      |
|----------------|------------------------------------------------------|
| Product Family | Industrial Receptacles                               |
| Series         | <a href="#">120070</a>                               |
| IP Rating      | IP67                                                 |
| NEMA Rating    | NEMA 6                                               |
| Overview       | <a href="#">Brad® Micro-Change® (M12) Connectors</a> |
| Product Name   | Micro-Change® (M12)                                  |
| Type           | Single Ended (pigtail)                               |
| UPC            | 78678846296                                          |

**Physical**

|                               |                        |
|-------------------------------|------------------------|
| Coupling Type                 | External Thread        |
| Gender                        | Male                   |
| Keyway                        | Single                 |
| Length                        | 0.032                  |
| Material - Component          | Gray Anodized Aluminum |
| Mounting Thread Size          | 1/2" - 14 NPT          |
| Net Weight                    | 446.830/g              |
| Orientation                   | 90° Angle              |
| Panel Mount                   | Front                  |
| Poles                         | 5                      |
| Temperature Range - Operating | -20°C to +80°C         |
| Wire Size AWG                 | N/A                    |
| Wire/Cable Type               | N/A                    |

**Electrical**

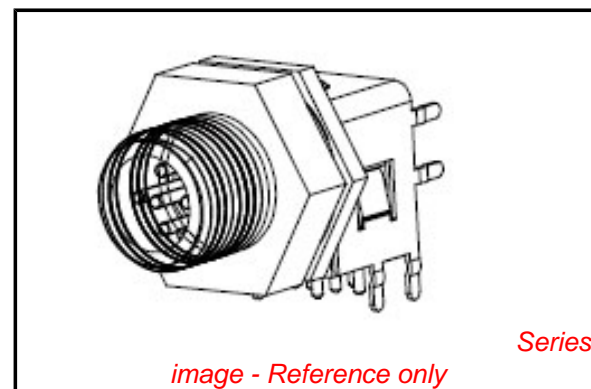
|                               |      |
|-------------------------------|------|
| Current - Maximum per Contact | 4A   |
| Voltage - Maximum             | 250V |

**Material Info**

|                 |               |
|-----------------|---------------|
| Old Part Number | 8R5L570005-35 |
|-----------------|---------------|

**Reference - Drawing Numbers**

|               |               |
|---------------|---------------|
| Sales Drawing | SD-120070-009 |
|---------------|---------------|



*image - Reference only*

**EU RoHS**

**ELV and RoHS  
Compliant**

**REACH SVHC**

Not Reviewed

**Low-Halogen Status**

**Not Reviewed**

**China RoHS**



**Need more information on product  
environmental compliance?**

Email [productcompliance@molex.com](mailto:productcompliance@molex.com)  
 For a multiple part number RoHS Certificate of  
 Compliance, [click here](#)

Please visit the [Contact Us](#) section for any  
 non-product compliance questions.

**Search Parts in this Series**

120070Series