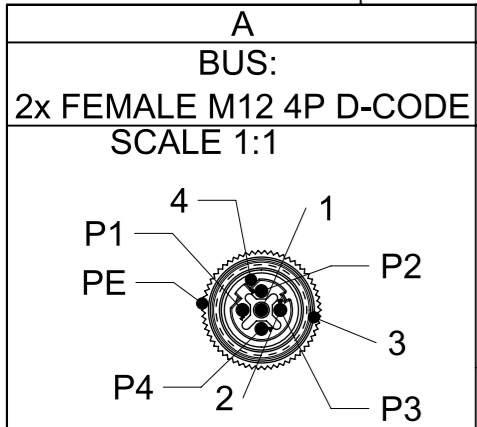


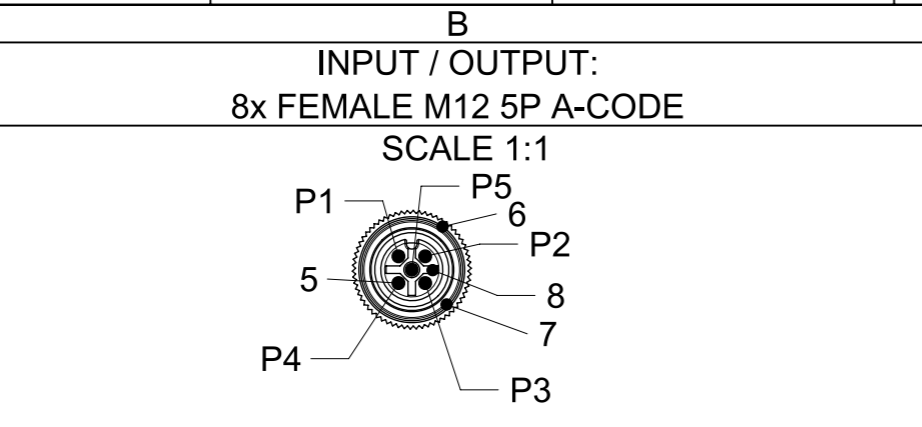
SCALE 1:2

THIS DRAWING CONTAINS INFORMATION THAT IS PROPRIETARY TO MOLEX INCORPORATED AND SHOULD NOT BE USED WITHOUT WRITTEN PERMISSION

EC DESCRIPTION EC NO: 100512 DRWN: ULETTENMEIER 2015/01/19 CHK'D: APPR: RSILLER 2015/06/25	QUALITY SYMBOLS	GENERAL TOLERANCES (UNLESS SPECIFIED)	DIMENSION UNITS	SCALE							
	▽ = 0 ▽ = 0 ▽ = 0 ▼ = 0 ▽ = 0 ☒ = 0 ■ = 0 ▽ = 0	ANGULAR TOL ± ° 4 PLACES ± 3 PLACES ± 2 PLACES ± 1 PLACE ± 0.3 0 PLACES ± 0.5 DRAFT WHERE APPLICABLE MUST REMAIN WITHIN DIMENSIONS	MM	1:1					DBO ETH 60 MM 7/8" 5P AC MA FE U12 5P 8P		
	DRWN BY: ULETTENMEIER DATE: 2015/01/19	APPR BY: RSILLER DATE: 2015/06/25	PRODUCT CUSTOMER DRAWING		SERIES	MATERIAL NUMBER	CUSTOMER				
	DRAWING SIZE: A3 THIRD ANGLE PROJECTION		112095	SEE TABLE 1,2,3,4,5	GENERAL MARKET		DOCUMENT NUMBER	DOC TYPE	DOC PART	SHEET NUMBER	
				1120950007		PSD		000		1 OF 7	

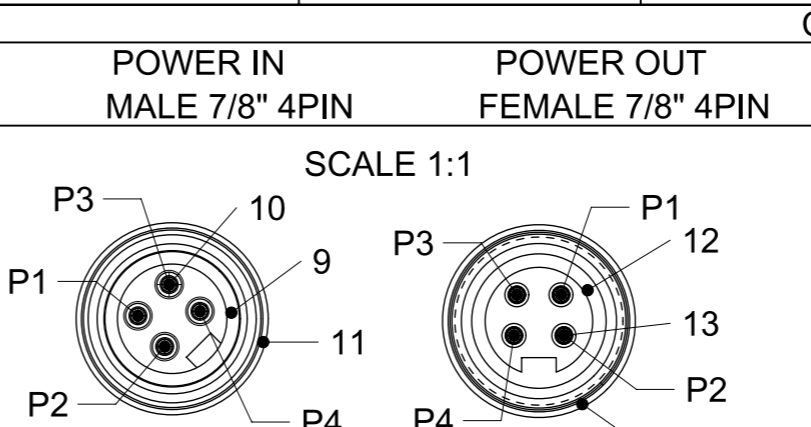


WIRING INFORMATION
P1 TX+
P2 RX+
P3 TX-
P4 RX-

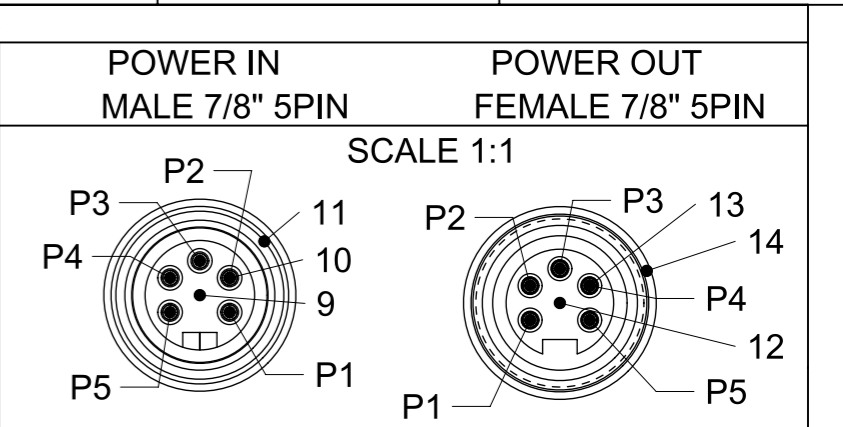


WIRING INFORMATION INPUT
P1 - +24 VDC
P2 - Input (even)
P3 - 0 V (Ground)
P4 - Input (odd)
P5 - PE (Protected Earth)

WIRING INFORMATION OUTPUT
P1 - N/C
P2 - Output (even)
P3 - 0 V (Ground)
P4 - Output (odd)
P5 - PE (Protected Earth)



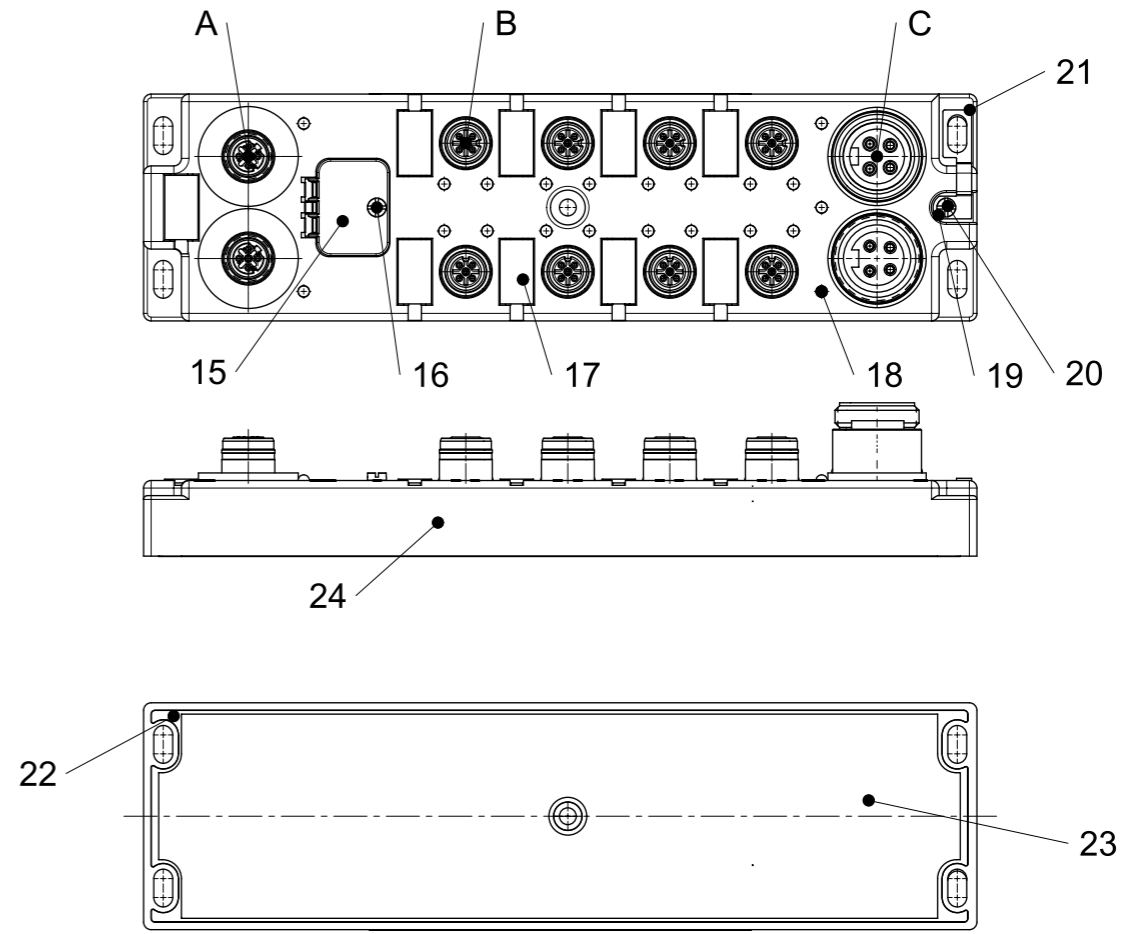
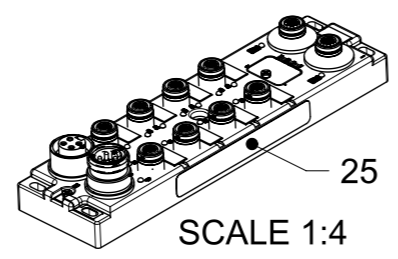
WIRING INFORMATION
P1 - +24 VDC (Outputs Power)
P2 - +24 VDC (Module & Inputs Power)
P3 - 0 V (Module & Inputs Power)
P4 - 0 V (Outputs Power)



WIRING INFORMATION
P1 - 0 V (Outputs Power)
P2 - 0 V (Module & Inputs Power)
P3 - PE (Protected Earth)
P4 - +24 VDC (Module and Inputs Power)
P5 - +24 VDC (Outputs Power)

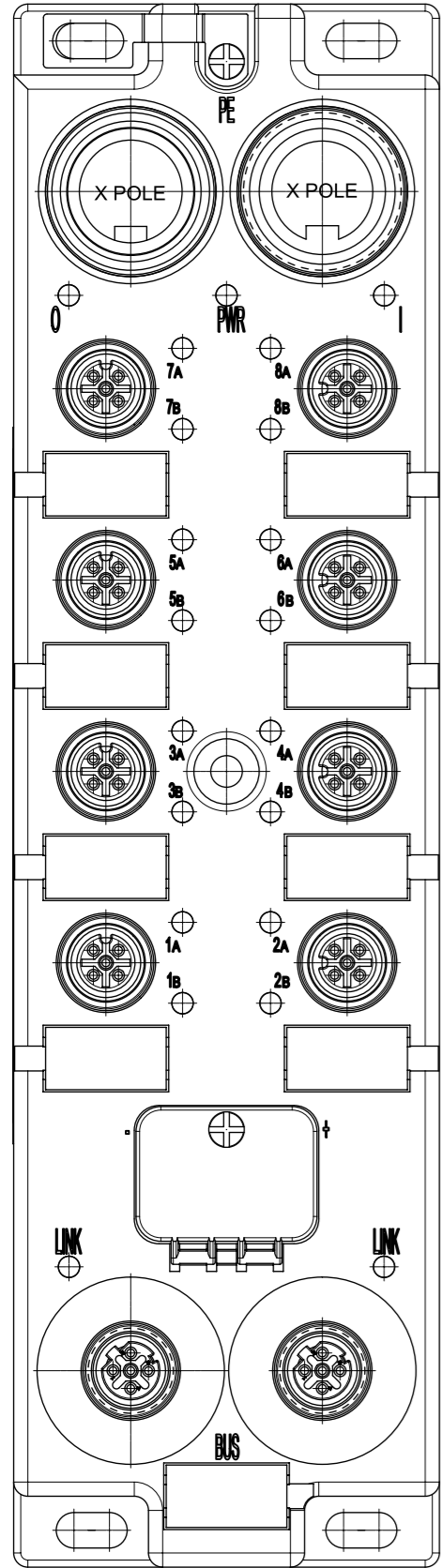
BILL OF MATERIAL

ITEM	DESCRIPTION	MATERIAL	FINISH
1	INSERT	TPU	BLACK
2	CONTACT	COPPER ALLOY	GOLD OVERNICKEL
3	SHELL	BRASS	NICKEL PLATET
4	GASKET	FPM	RED
5	CONTACT	COPPER ALLOY	GOLD OVER NICKEL
6	GASKET	FPM	RED
7	SHELL	BRASS	NICKEL PLATET
8	INSERT	TPU	BLACK
9	INSERT	TPE	YELLOW
10	CONTACT	COPPER ALLOY	GOLD OVERNICKEL
11	SHELL	BRASS	NICKEL PLATET
12	INSERT	TPE	YELLOW
13	CONTACT	COPPER ALLOY	GOLD OVER NICKEL
14	SHELL	BRASS	NICKEL PLATET
15	WINDOW	PC	TRANSPARENT
16	SCREW	V2A	-
17	LABEL	PC	WHITE
18	FIBER OPTIC	PA	TRANSPARENT
19	WASHER	BRASS	NICKEL PLATET
20	SCREW	V2A	-
21	SHIELD PLATE	STAINLESS STEEL	-
22	RESIN	EPOXY	TRANSPARENT
23	LABEL	PVC	WHITE
24	HOUSING	PBT	BLACK
25	LABEL	PVC	YELLOW



THIS DRAWING CONTAINS INFORMATION THAT IS PROPRIETARY TO MOLEX INCORPORATED AND SHOULD NOT BE USED WITHOUT WRITTEN PERMISSION

EC DESCRIPTION EC NO: 100512 DRWN: ULETTENMEIER 2015/01/19 CHK'D: APPR: RSILLER 2015/06/25	QUALITY SYMBOLS ∇ = 0 ∇ = 0 ∇ = 0 ▼ = 0 ∇ = 0 ⊠ = 0 ■ = 0 ∇ = 0	GENERAL TOLERANCES (UNLESS SPECIFIED) ANGULAR TOL ± ° 4 PLACES ± 3 PLACES ± 2 PLACES ± 1 PLACE ± 0.3 0 PLACES ± 0.5 DRAFT WHERE APPLICABLE MUST REMAIN WITHIN DIMENSIONS	DIMENSION UNITS MM SCALE 1:2 DRWN BY ULETTENMEIER DATE 2015/01/19 CHK'D BY DATE APPR BY RSILLER DATE 2015/06/25 DRAWING SIZE A3 THIRD ANGLE PROJECTION	
	PRODUCT CUSTOMER DRAWING			SERIES 112095
	MATERIAL NUMBER SEE TABLE 1,2,3,4,5		CUSTOMER GENERAL MARKET	
	DOCUMENT NUMBER 1120950007		DOC TYPE PSD	DOC PART 000



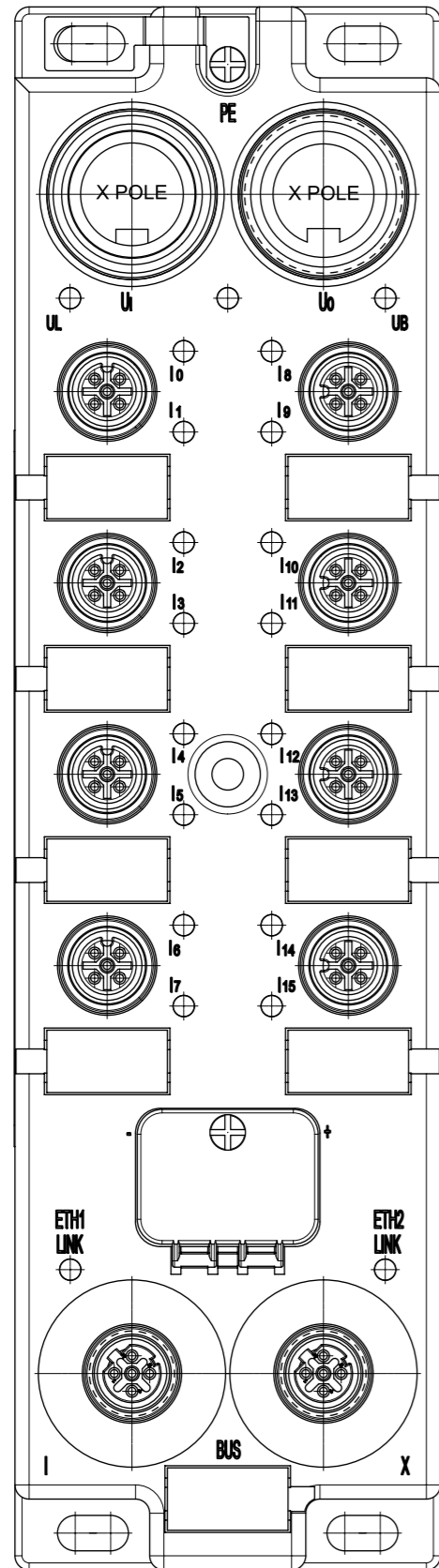
UNIVERSAL PRINTING

TABLE 1 UNIVERSAL PRINTING

POWER TYPE	INPUT / OUTPUT	MODBUS TCP		EtherNet/IP		PROFINET		3D MODEL NO.		
		ENG.NO.	MOLEX P/N	ENG.NO.	MOLEX P/N	ENG.NO.	MOLEX P/N			
7/8" 5 POLE	NPN	16I	TCDEM-8D0N-D1U	1120950007	TCDEI-8D0N-D1U	1120955003	TCDEP-8D0N-D1U	1120955029	1120950007 (PDM)	
		14I / 2O	TCDEM-8C2N-D1U	1120950005	TCDEI-8C2N-D1U	1120955004	TCDEP-8C2N-D1U	1120955030		
		12I / 4O	TCDEM-8B4N-D1U	1120950003	TCDEI-8B4N-D1U	1120955005	TCDEP-8B4N-D1U	1120955031		
		8I / 8O	TCDEM-888N-D1U	1120950001	TCDEI-888N-D1U	1120955006	TCDEP-888N-D1U	1120955032		
	16 USER CONFIG.	TCDEM-8YYX-D1U	1120950009	TCDEI-8YYX-D1U	1120955011	TCDEP-8YYX-D1U	1120955037			
	PNP	16I	TCDEM-8D0P-D1U	1120950008	TCDEI-8D0P-D1U	1120955007	TCDEP-8D0P-D1U	1120955033		
		14I / 2O	TCDEM-8C2P-D1U	1120950006	TCDEI-8C2P-D1U	1120955008	TCDEP-8C2P-D1U	1120955034		
		12I / 4O	TCDEM-8B4P-D1U	1120950004	TCDEI-8B4P-D1U	1120955009	TCDEP-8B4P-D1U	1120955035		
8I / 8O		TCDEM-888P-D1U	1120950002	TCDEI-888P-D1U	1120955010	TCDEP-888P-D1U	1120955036			
7/8" 4 POLE	NPN	16I	TCDEM-8D0N-DYU	1120955021	TCDEI-8D0N-DYU	1120955012			1120950007 (PDM)	
		14I / 2O	TCDEM-8C2N-DYU	1120955022	TCDEI-8C2N-DYU	1120955013				
		12I / 4O	TCDEM-8B4N-DYU	1120955023	TCDEI-8B4N-DYU	1120955014				
		8I / 8O	TCDEM-888N-DYU	1120955024	TCDEI-888N-DYU	1120955015				
	16 USER CONFIG.	TCDEM-8YYX-DYU	1120955038	TCDEI-8YYX-DYU	1120955020					
	PNP	16I	TCDEM-8D0P-DYU	1120955025	TCDEI-8D0P-DYU	1120955016				
		14I / 2O	TCDEM-8C2P-DYU	1120955026	TCDEI-8C2P-DYU	1120955017				
		12I / 4O	TCDEM-8B4P-DYU	1120955027	TCDEI-8B4P-DYU	1120955018				
8I / 8O		TCDEM-888P-DYU	1120955028	TCDEI-888P-DYU	1120955019					

THIS DRAWING CONTAINS INFORMATION THAT IS PROPRIETARY TO MOLEX INCORPORATED AND SHOULD NOT BE USED WITHOUT WRITTEN PERMISSION

EC DESCRIPTION EC NO: 100512 DRWN: ULETTENMEIER 2015/01/19 CHK'D: APPR: RSILLER 2015/06/25	QUALITY SYMBOLS	GENERAL TOLERANCES (UNLESS SPECIFIED)	DIMENSION UNITS	SCALE	
	▽ = 0 ▽ = 0 ▽ = 0 ▼ = 0 ▽ = 0 ⊠ = 0 ■ = 0 ▽ = 0	ANGULAR TOL ± ° 4 PLACES ± 3 PLACES ± 2 PLACES ± 1 PLACE ± 0.3 0 PLACES ± 0.5 DRAFT WHERE APPLICABLE MUST REMAIN WITHIN DIMENSIONS	MM	1:1	
	DRWN BY	DATE	ULETTENMEIER 2015/01/19		
	CHK'D BY	DATE	RSILLER 2015/06/25		
APPR BY	DATE	RSILLER 2015/06/25		PRODUCT CUSTOMER DRAWING	
A		A3		DRAWING SIZE THIRD ANGLE PROJECTION	SERIES: 112095 MATERIAL NUMBER: SEE TABLE 1,2,3,4,5 CUSTOMER: GENERAL MARKET
DOCUMENT NUMBER: 1120950007			DOC TYPE: PSD	DOC PART: 000	SHEET NUMBER: 3 OF 7



16 IN PRINTING

TABLE 2 16 IN PRINTING

POWER TYPE	INPUT/OUTPUT	EtherNet/IP		PROFINET		3D MODEL NO.	
		ENG. NO	MOLEX P/N	ENG. NO	MOLEX P/N		
7/8" 5 POLE	PNP	16I	TCDEI-8D0P-D1U-G	1120955060	TCDEP-8D0P-D1U-G	1120955048	1120950007 (PDM)
7/8" 4 POLE		16I	TCDEI-8D0P-DYU-G	1120955040	TCDEP-8D0P-DYU-G	1120955052	1120950007 (PDM)
		16I	TCDEI-8DOP-DYU-G01	1120955002			

THIS DRAWING CONTAINS INFORMATION THAT IS PROPRIETARY TO MOLEX INCORPORATED AND SHOULD NOT BE USED WITHOUT WRITTEN PERMISSION

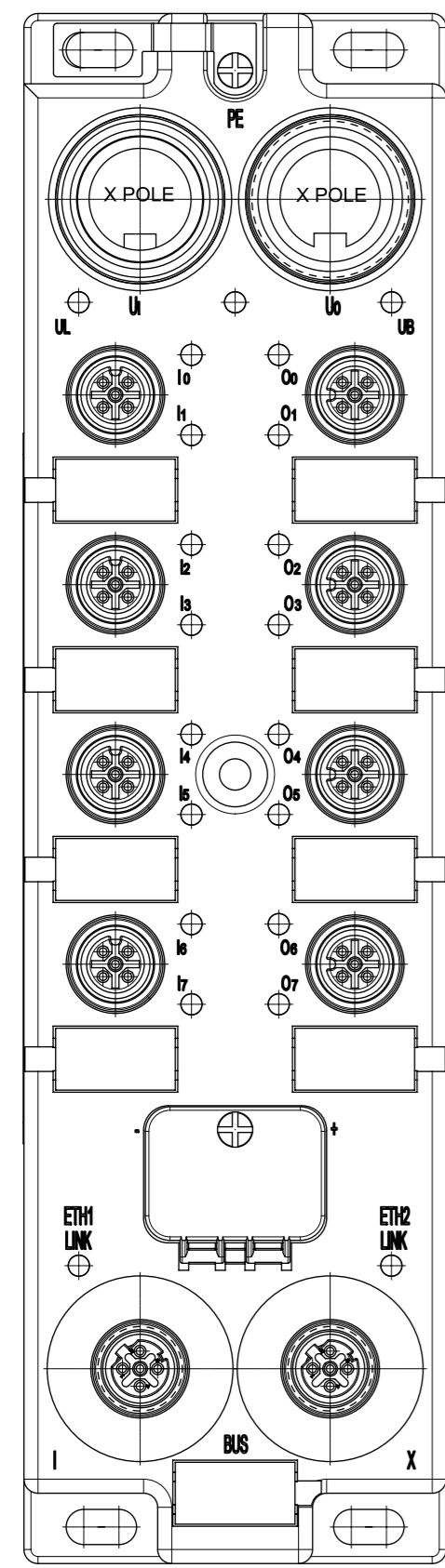
EC DESCRIPTION EC NO: 100512 DRWN: ULETTENMEIER 2015/01/19 CHK'D: APPR: RSILLER 2015/06/25	QUALITY SYMBOLS	GENERAL TOLERANCES (UNLESS SPECIFIED) ANGULAR TOL ± ° 4 PLACES ± 3 PLACES ± 2 PLACES ± 1 PLACE ± 0.3 0 PLACES ± 0.5 DRAFT WHERE APPLICABLE MUST REMAIN WITHIN DIMENSIONS	DIMENSION UNITS	SCALE		
	▽ = 0 ▽ = 0 ▽ = 0 ▼ = 0 ▽ = 0 ☒ = 0 ■ = 0 ▽ = 0		MM	1:1		
	DRWN BY ULETTENMEIER DATE 2015/01/19		CHK'D BY DATE APPR BY RSILLER DATE 2015/06/25	DRAWING SIZE A3 THIRD ANGLE PROJECTION		SERIES 112095 MATERIAL NUMBER SEE TABLE 1,2,3,4,5 CUSTOMER GENERAL MARKET
	DOCUMENT NUMBER 1120950007		DOC TYPE PSD	DOC PART 000		SHEET NUMBER 4 OF 7

DBO ETH 60 MM 7/8" 5P AC MA FE U12 5P 8P

PRODUCT CUSTOMER DRAWING

TABLE 3 8I/8O PRINTING

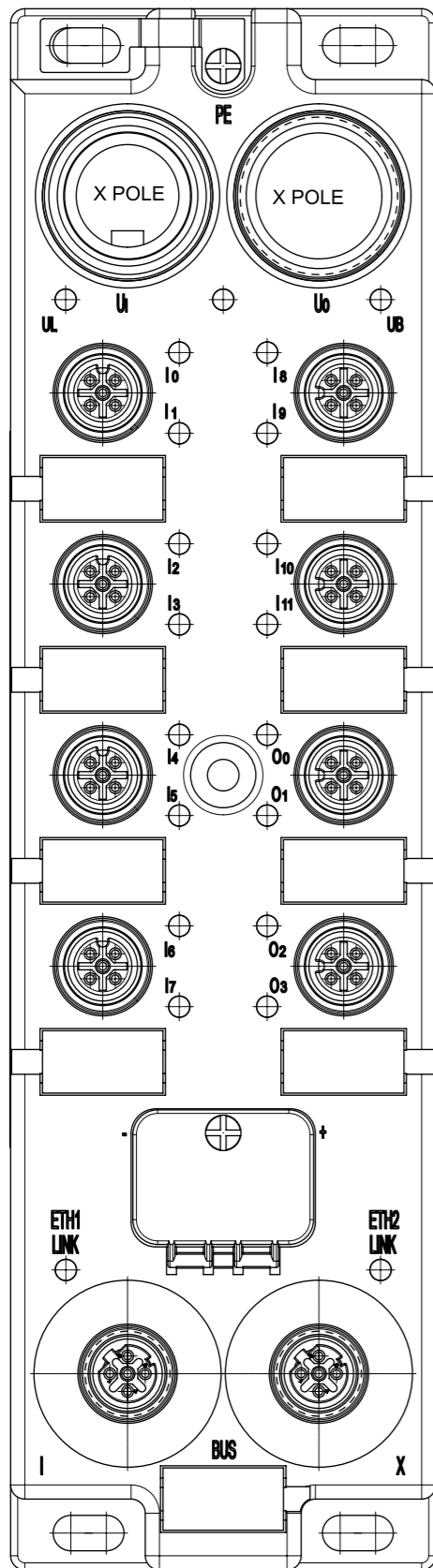
POWER TYPE	INPUT/OUTPUT	EtherNet/IP		PROFINET		3D MODEL NO.
		ENG. NO	MOLEX P/N	ENG. NO	MOLEX P/N	
7/8" 5 POLE	PNP	8I/8O	TCDEI-888P-D1U-G 1120955061	TCDEP-888P-D1U-G 1120955050	1120950007 (PDM)	
7/8" 4 POLE		8I/8O	TCDEI-888P-DYU-G 1120955041 TCDEI-888P-DYU-G01 1120955072	TCDEP-888P-DYU-G 1120955053	1120950007 (PDM)	



8I/8O IN PRINTING

THIS DRAWING CONTAINS INFORMATION THAT IS PROPRIETARY TO MOLEX INCORPORATED AND SHOULD NOT BE USED WITHOUT WRITTEN PERMISSION

EC DESCRIPTION EC NO: 100512 DRWN: ULETTENMEIER 2015/01/19 CHK'D: APPR: RSILLER 2015/06/25	QUALITY SYMBOLS	GENERAL TOLERANCES (UNLESS SPECIFIED)	DIMENSION UNITS	SCALE	
	▽ = 0 ▽ = 0 ▽ = 0 ▼ = 0 ▽ = 0 ☒ = 0 ■ = 0 ▽ = 0	ANGULAR TOL ± ° 4 PLACES ± 3 PLACES ± 2 PLACES ± 1 PLACE ± 0.3 0 PLACES ± 0.5 DRAFT WHERE APPLICABLE MUST REMAIN WITHIN DIMENSIONS	MM	1:1	
	DRWN BY: ULETTENMEIER DATE: 2015/01/19 CHK'D BY: DATE: APPR BY: RSILLER DATE: 2015/06/25	DIMENSION UNITS: MM SCALE: 1:1 DRAWING SIZE: A3 THIRD ANGLE PROJECTION	PRODUCT CUSTOMER DRAWING		
	SERIES: 112095 MATERIAL NUMBER: SEE TABLE 1,2,3,4,5 CUSTOMER: GENERAL MARKET DOCUMENT NUMBER: 1120950007 DOC TYPE: PSD DOC PART: 000 SHEET NUMBER: 5 OF 7				



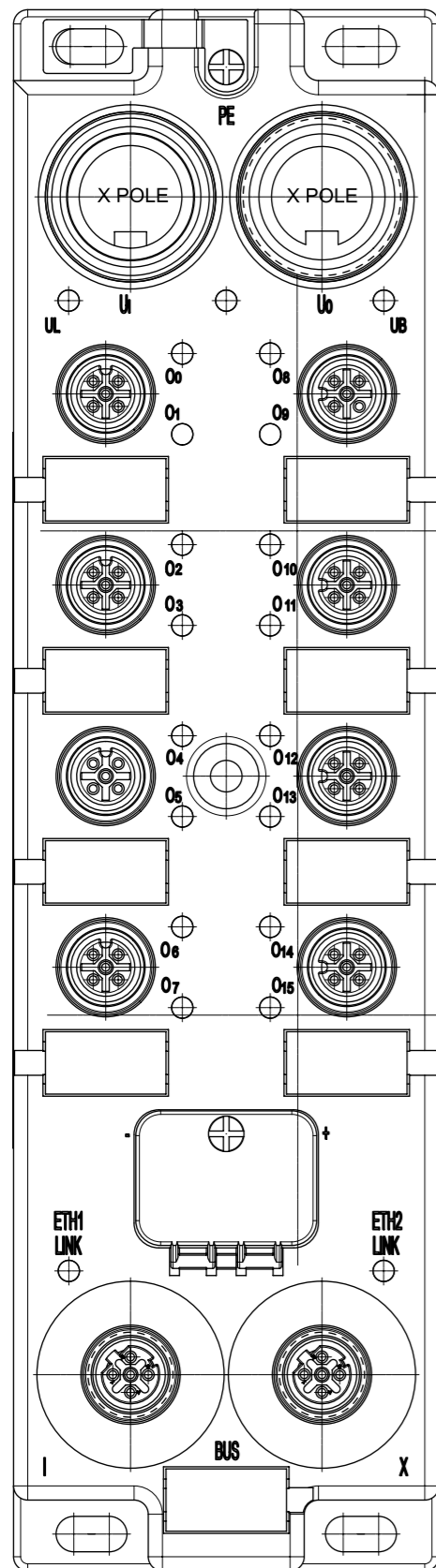
12I/4O PRINTING

TABLE 4 12I/4O PRINTING

POWER TYPE	INPUT/OUTPUT	EtherNet/IP		PROFINET		3D MODEL NO.	
		ENG. NO	MOLEX P/N	ENG. NO	MOLEX P/N		
7/8" 5 POLE	PNP	12I/4O	TCDEI-8B4P-D1U-G	1120955063	TCDEP-8B4P-D1U-G	1120955051	1120950007 (PDM)
7/8" 4 POLE		12I/4O	TCDEI-8B4P-DYU-G	1120955043	TCDEP-8B4P-DYU-G	1120955054	1120950007 (PDM)
		12I/4O	TCDEI-8B4P-DYU-G01	1120955073			

THIS DRAWING CONTAINS INFORMATION THAT IS PROPRIETARY TO MOLEX INCORPORATED AND SHOULD NOT BE USED WITHOUT WRITTEN PERMISSION

EC DESCRIPTION EC NO: 100512 DRWN: ULETTENMEIER 2015/01/19 CHK'D: APPR: RSILLER 2015/06/25	QUALITY SYMBOLS	GENERAL TOLERANCES (UNLESS SPECIFIED)	DIMENSION UNITS	SCALE				
	∇ = 0 ∇ = 0 ∇ = 0 \blacktriangledown = 0 ∇ = 0 \boxtimes = 0 \blacksquare = 0 ∇ = 0	ANGULAR TOL \pm ° 4 PLACES \pm 3 PLACES \pm 2 PLACES \pm 1 PLACE \pm 0.3 0 PLACES \pm 0.5 DRAFT WHERE APPLICABLE MUST REMAIN WITHIN DIMENSIONS	MM	1:1				
	DRWN BY	DATE	ULETTENMEIER	2015/01/19				
	CHK'D BY	DATE						
	APPR BY	DATE	RSILLER	2015/06/25	PRODUCT CUSTOMER DRAWING			
	DRAWING SIZE	THIRD ANGLE PROJECTION	A3		SERIES	MATERIAL NUMBER	CUSTOMER	
					112095	SEE TABLE 1,2,3,4,5	GENERAL MARKET	
					DOCUMENT NUMBER	DOC TYPE	DOC PART	SHEET NUMBER
					1120950007	PSD	000	6 OF 7



160 PRINTING

TABLE 5 160 PRINTING

POWER TYPE	INPUT/OUTPUT	EtherNet/IP		PROFINET		3D MODEL NO.	
		ENG. NO	MOLEX P/N	ENG. NO	MOLEX P/N		
7/8" 5 POLE	PNP	160	TCDEI-80DP-D1U-G	1120955062	TCDEP-80DP-D1U-G	1120955049	1120950007 (PDM)
7/8" 4 POLE		160	TCDEI-80DP-DYU-G	1120955042	TCDEP-80DP-DYU-G	1120955055	1120950007 (PDM)
		160	TCDEI-80D8-DYU-G01	1120955074			

THIS DRAWING CONTAINS INFORMATION THAT IS PROPRIETARY TO MOLEX INCORPORATED AND SHOULD NOT BE USED WITHOUT WRITTEN PERMISSION

EC DESCRIPTION EC NO: 100512 DRWN: ULETTENMEIER 2015/01/19 CHK'D: APPR: RSILLER 2015/06/25	QUALITY SYMBOLS	GENERAL TOLERANCES (UNLESS SPECIFIED)	DIMENSION UNITS	SCALE				
	∇ = 0 ∇ = 0 ∇ = 0 \blacktriangledown = 0 ∇ = 0 \boxtimes = 0 \blacksquare = 0 ∇ = 0	ANGULAR TOL \pm 4 PLACES \pm 3 PLACES \pm 2 PLACES \pm 1 PLACE \pm 0.3 0 PLACES \pm 0.5 DRAFT WHERE APPLICABLE MUST REMAIN WITHIN DIMENSIONS	MM	1:1				
	DRWN BY	DATE	ULETTENMEIER	2015/01/19				
	CHK'D BY	DATE						
	APPR BY	DATE	RSILLER	2015/06/25	PRODUCT CUSTOMER DRAWING			
	DRAWING SIZE	THIRD ANGLE PROJECTION	A3		SERIES	MATERIAL NUMBER	CUSTOMER	
					112095	SEE TABLE 1,2,3,4,5	GENERAL MARKET	
					DOCUMENT NUMBER	DOC TYPE	DOC PART	SHEET NUMBER
					1120950007	PSD	000	7 OF 7