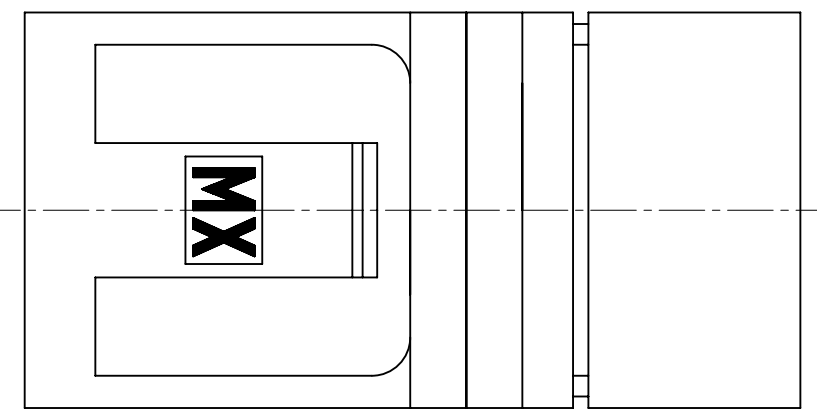
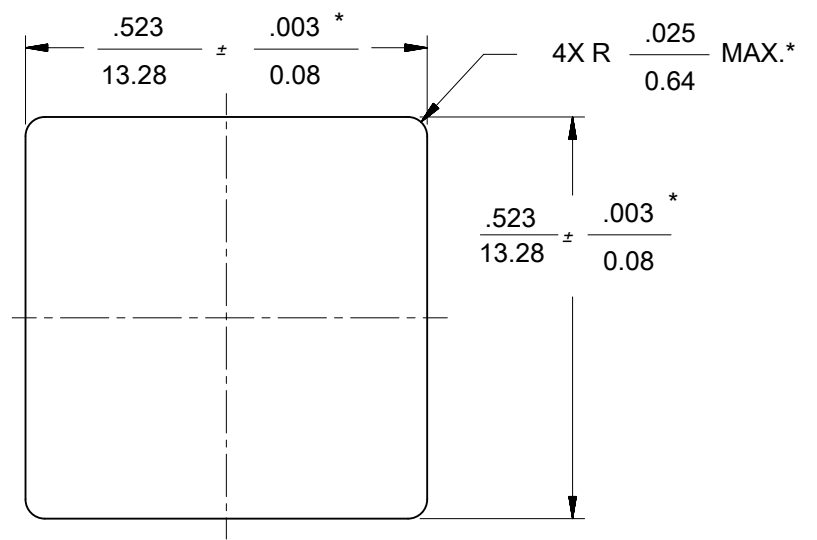
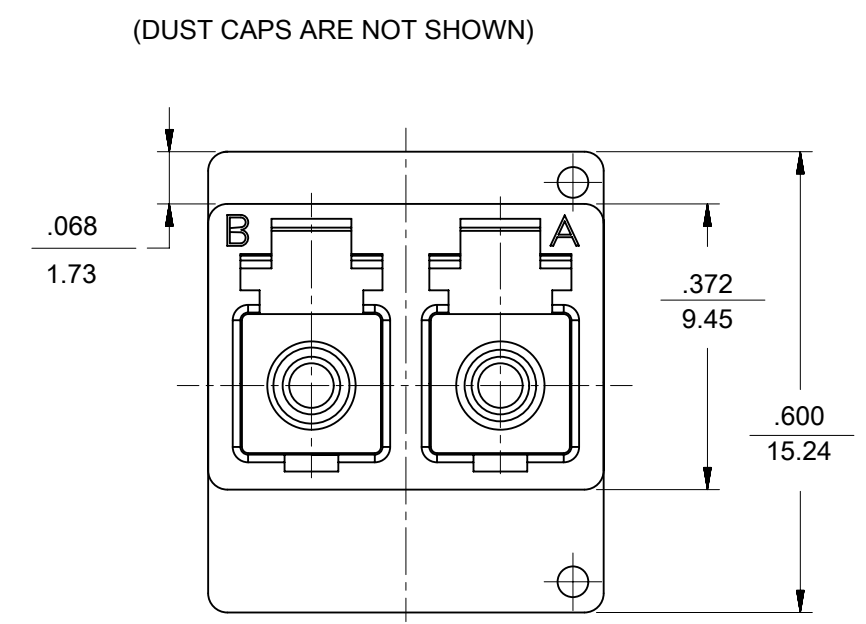
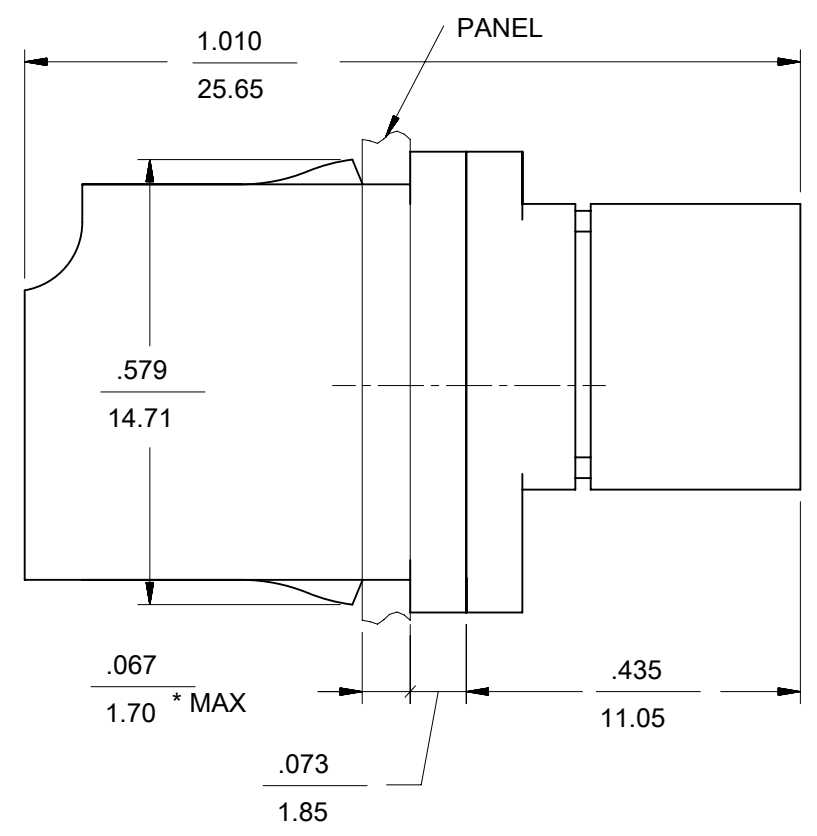
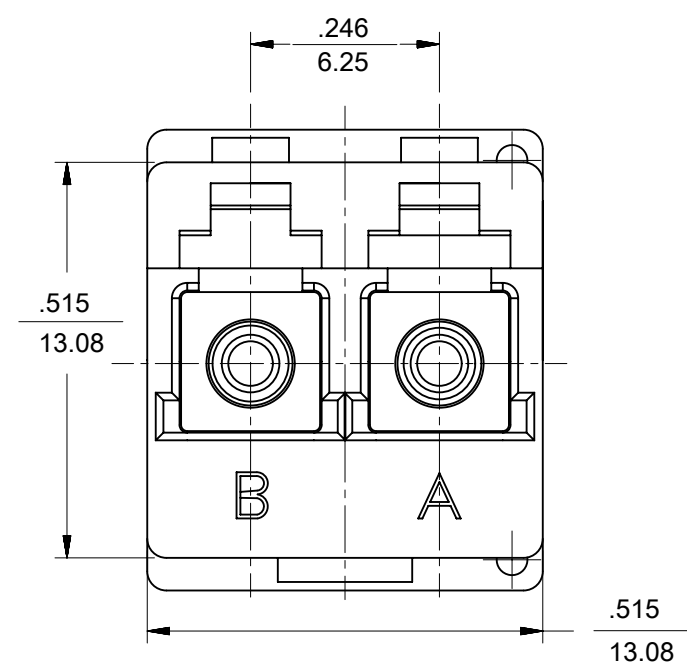


ADAPTER P/N	COLOR	SPLIT SLEEVE MATERIAL
106125-1000	BLUE	ZIRCONIA - ZrO ₂
106125-1050	GREEN	ZIRCONIA - ZrO ₂
106125-0000	BLUE	Ph. Bronze
106125-1010	BEIGE	ZIRCONIA - ZrO ₂
106125-1090	RED	ZIRCONIA - ZrO ₂
106125-1070 SEE NOTE 2	BLUE	ZIRCONIA - ZrO ₂



RECOMMENDED PANEL CUTOUT

PANEL THICKNESS $\frac{.067}{1.70}$ MAX.

- NOTES:
1. ALL DIMENSIONS ARE FOR REFERENCE ONLY, EXCEPT WHEN MARKED WITH (*).
 2. ADAPTERS 1061251070 ARE BULK PACKAGED 10 pcs PER BAG.

THIS DRAWING CONTAINS INFORMATION THAT IS PROPRIETARY TO MOLEX ELECTRONIC TECHNOLOGIES, LLC AND SHOULD NOT BE USED WITHOUT WRITTEN PERMISSION																																																			
DIMENSION UNITS		SCALE		CURRENT REV DESC: OBSOLETE PART NO																																															
IN/MM		4:1		<table border="0"> <tr> <td colspan="2">GENERAL TOLERANCES (UNLESS SPECIFIED)</td> <td colspan="2">EC NO: 625872</td> <td colspan="2">2019/08/22</td> </tr> <tr> <td>4 PLACES ±</td> <td>±</td> <td colspan="2">DRWN: AKUMAR19</td> <td colspan="2">2019/11/06</td> </tr> <tr> <td>3 PLACES ±</td> <td>±</td> <td colspan="2">CHK'D: GB</td> <td colspan="2">2019/11/12</td> </tr> <tr> <td>2 PLACES ±</td> <td>±</td> <td colspan="2">APPR: GGA</td> <td colspan="2"></td> </tr> <tr> <td>1 PLACE ±</td> <td>±</td> <td colspan="2">INITIAL REVISION:</td> <td colspan="2"></td> </tr> <tr> <td>0 PLACES ±</td> <td>±</td> <td colspan="2">DRWN: PGIBLIN</td> <td colspan="2">2005/10/03</td> </tr> <tr> <td colspan="2">ANGULAR TOL ± 0.5°</td> <td colspan="2">APPR:</td> <td colspan="2"></td> </tr> </table>						GENERAL TOLERANCES (UNLESS SPECIFIED)		EC NO: 625872		2019/08/22		4 PLACES ±	±	DRWN: AKUMAR19		2019/11/06		3 PLACES ±	±	CHK'D: GB		2019/11/12		2 PLACES ±	±	APPR: GGA				1 PLACE ±	±	INITIAL REVISION:				0 PLACES ±	±	DRWN: PGIBLIN		2005/10/03		ANGULAR TOL ± 0.5°		APPR:			
GENERAL TOLERANCES (UNLESS SPECIFIED)		EC NO: 625872								2019/08/22																																									
4 PLACES ±	±	DRWN: AKUMAR19								2019/11/06																																									
3 PLACES ±	±	CHK'D: GB								2019/11/12																																									
2 PLACES ±	±	APPR: GGA																																																	
1 PLACE ±	±	INITIAL REVISION:																																																	
0 PLACES ±	±	DRWN: PGIBLIN		2005/10/03																																															
ANGULAR TOL ± 0.5°		APPR:																																																	
PRODUCT CUSTOMER DRAWING		DOCUMENT NUMBER		DOC TYPE		DOC PART		REVISION																																											
SD-106125-X0X0		PSD		001		B																																													
DRAFT WHERE APPLICABLE MUST REMAIN WITHIN DIMENSIONS		THIRD ANGLE PROJECTION		DRAWING		SERIES		MATERIAL NUMBER																																											
		B-SIZE		106125		SEE TABLE		CUSTOMER																																											
						GENERAL MARKET		SHEET NUMBER																																											
								1 OF 1																																											