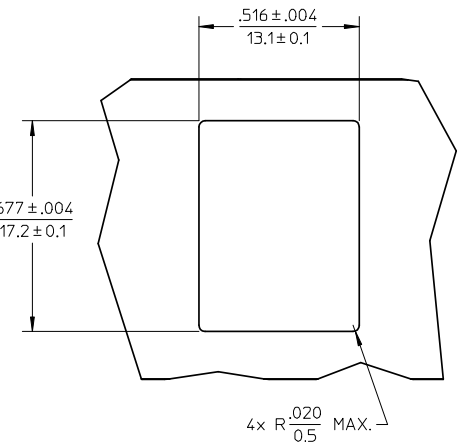
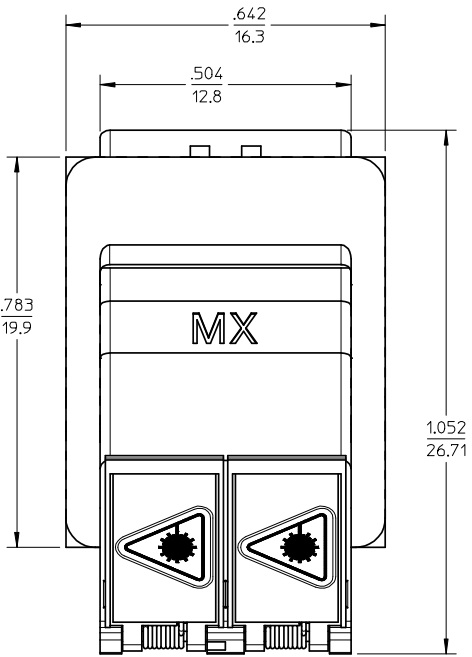
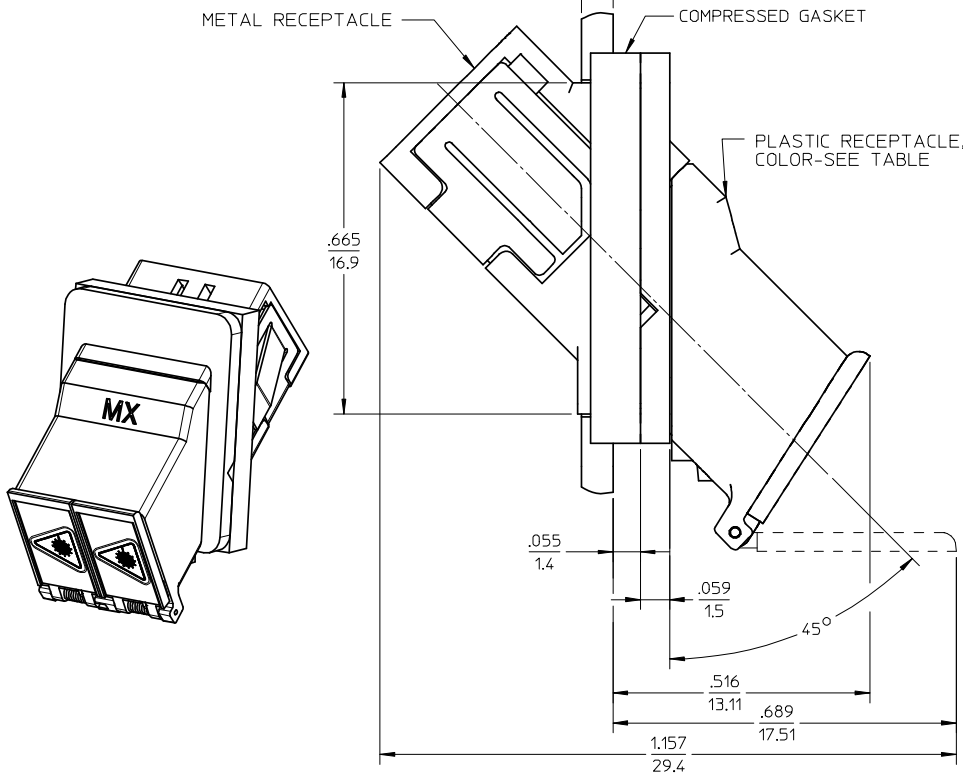


ADAPTER P/N	PLASTIC RECEPTACLE COLOR	SPLIT SLEEVE MATERIAL
106115-4100	BLUE	Zr
106115-6100	GREEN	
106115-4107	BLUE	Ph. Bronze



RECOMMENDED MOUNTING PATTERN
SCALE 2.5:1
FOR .063 THICK PANEL
1.6

- NOTES:
1. DIMENSIONS SHOWN ARE FOR REFERENCE ONLY.
 2. CONDUCTIVE FABRIC OVER FOAM GASKET (SHOWN COMPRESSED) IS SUPPLIED WITH THE PART.
 3. LC DUPLEX WASH CAP NOT SHOWN.
 4. ADAPTERS TO BE PACKAGED IN TRAY.

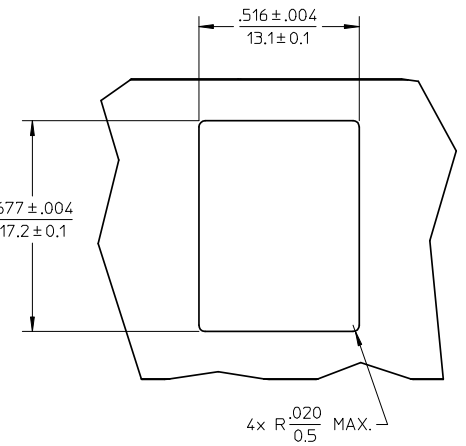
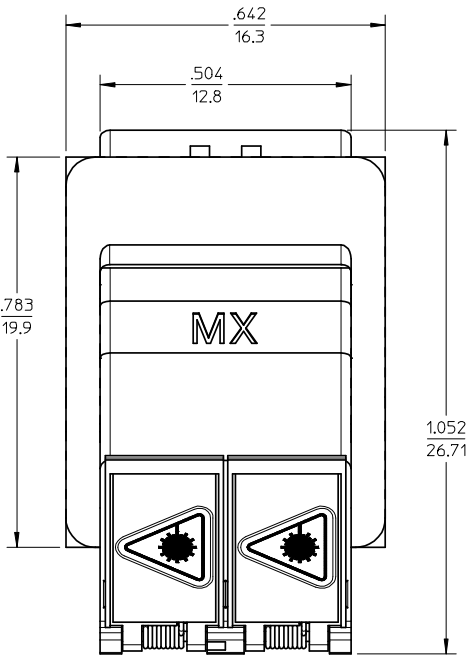
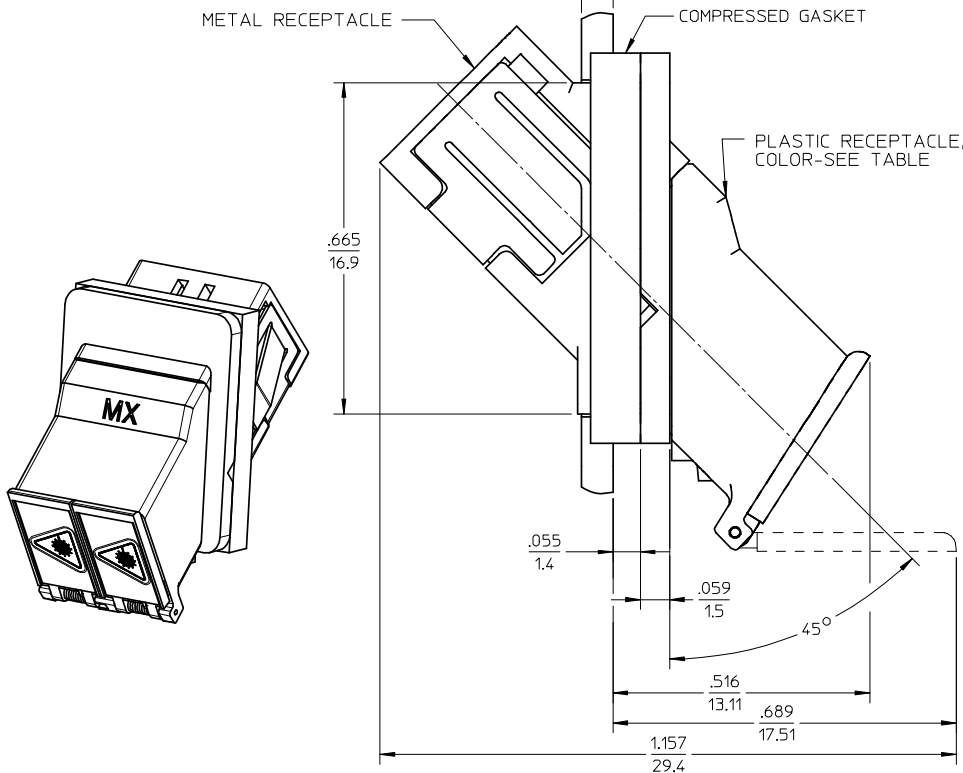
ENTER DESCRIPTION EC NO: WF2008-0344 DRAWN: PEVZNER 2008/02/22 CHKD: 2008/02/22 APPR: IGUMIN 2008/02/27	QUALITY SYMBOLS
	▽=0
	▽=0
	REV

DESCRIPTION	GENERAL TOLERANCES (UNLESS SPECIFIED)
	mm INCH
	4 PLACES ± --- ± ---
	3 PLACES ± --- ± ---
2 PLACES ± --- ± ---	
1 PLACE ± --- ± ---	
ANGULAR ±1/2°	
DRAFT WHERE APPLICABLE MUST REMAIN WITHIN DIMENSIONS	

DIMENSION STYLE	
IN/MM	
DRAWN BY	DATE
PGIBLIN	2005/12/09
CHECKED BY	DATE
APPROVED BY	DATE
MATERIAL NO.	SEE TABLE
SIZE	B

SCALE	4:1	DESIGN UNITS	INCH	THIRD ANGLE PROJECTION
TITLE				
LC-D EMI ADAPTER, 45 DEGREE (SNAP MOUNT)				
molex MOLEX INCORPORATED				
DOCUMENT NO.	SD-106115-Y10Y	SHEET NO.	1 OF 1	
THIS DRAWING CONTAINS INFORMATION THAT IS PROPRIETARY TO MOLEX INCORPORATED AND SHOULD NOT BE USED WITHOUT WRITTEN PERMISSION				

ADAPTER P/N	PLASTIC RECEPTACLE COLOR	SPLIT SLEEVE MATERIAL
106115-4100	BLUE	Zr
106115-6100	GREEN	
106115-4107	BLUE	Ph. Bronze



RECOMMENDED MOUNTING PATTERN
SCALE 2.5:1
FOR .063 THICK PANEL
1.6

- NOTES:
1. DIMENSIONS SHOWN ARE FOR REFERENCE ONLY.
 2. CONDUCTIVE FABRIC OVER FOAM GASKET (SHOWN COMPRESSED) IS SUPPLIED WITH THE PART.
 3. LC DUPLEX WASH CAP NOT SHOWN.
 4. ADAPTERS TO BE PACKAGED IN TRAY.

ENTER DESCRIPTION	2008/02/22
EC NO: WF2008-0344	2008/02/22
DR: WAKPEVZNER	2008/02/22
CHKD: CHKD:	2008/02/22
APPR: LGUMIN	2008/02/22
REV	DESCRIPTION
A1	

QUALITY SYMBOLS	▽=0
	▽=0

GENERAL TOLERANCES (UNLESS SPECIFIED)	mm	INCH
4 PLACES	± .---	± .---
3 PLACES	± .---	± .---
2 PLACES	± .---	± .---
1 PLACE	± .---	± .---
ANGULAR ±1/2°		
DRAFT WHERE APPLICABLE MUST REMAIN WITHIN DIMENSIONS		

DIMENSION STYLE		IN/MM
DRAWN BY	DATE	
PGIBLIN	2005/12/09	
CHECKED BY	DATE	
APPROVED BY	DATE	
MATERIAL NO.	SEE TABLE	
SIZE	B	

SCALE	4:1	DESIGN UNITS	INCH	THIRD ANGLE PROJECTION
TITLE				
LC-D EMI ADAPTER, 45 DEGREE (SNAP MOUNT)				
molex MOLEX INCORPORATED				
DOCUMENT NO.	SD-106115-Y10Y			SHEET NO.
				1 OF 1