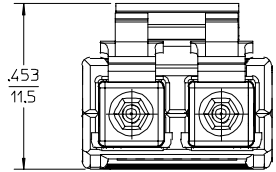
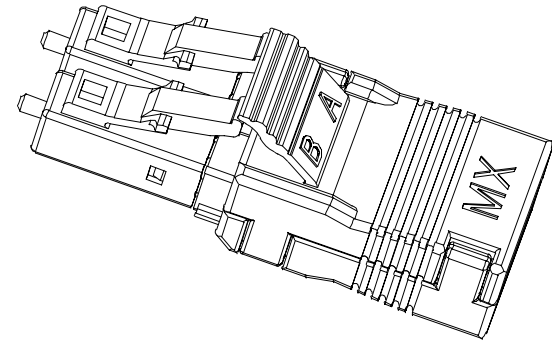
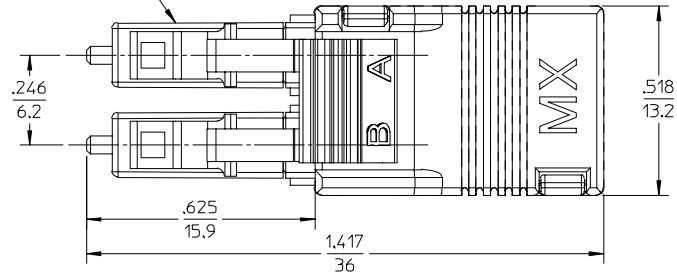
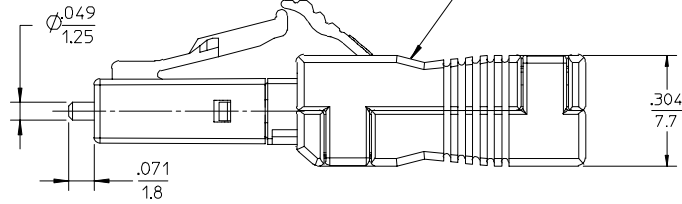


10 9 8 7 6 5 4 3 2 1

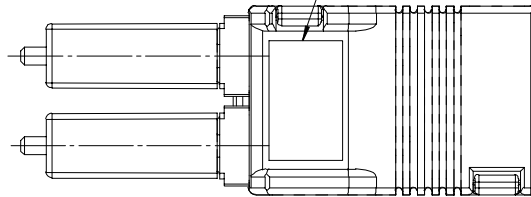
LC CONNECTOR HEAD
(2x)



LC LOOPBACK BODY,
BEIGE



LABEL
SEE NOTE 6



NOTES:

1. ALL DIMENSIONS ARE FOR REFERENCE ONLY.
2. DUST CAPS ARE NOT SHOWN, BUT INCLUDED.
3. FIBER TYPE - MM 62.5/125μm.
4. MAXIMUM INSERTION LOSS PER CONNECTOR (TWO MATED PAIRS):
AT 850nm: 2.0dB.
AT 1310nm: 2.0dB.
5. OPERATING TEMPERATURE RANGE: -40° TO +85°C.
6. LABEL IS PRINTED WITH '62.5um' AND '2dB' AND PLACED ON THE BACK SIDE OF THE CONNECTOR AS SHOWN.

ENTER DESCRIPTION EC NO: MF2006-0361 DRAWN: RPACIFICI CHKD: 2005/12/01 APPR: IGUMIN 2005/12/01	DESCRIPTION
	REV
	A

QUALITY SYMBOLS
▽=0
▽=0

GENERAL TOLERANCES (UNLESS SPECIFIED)	mm	INCH
	4 PLACES ± ---	± ---
	3 PLACES ± ---	± ---
	2 PLACES ± ---	± ---
	1 PLACE ± ---	± ---
	ANGULAR ±1/2°	
DRAFT WHERE APPLICABLE MUST REMAIN WITHIN DIMENSIONS		

DIMENSION STYLE IN/MM	
DRAWN BY RPACIFICI	DATE 2005/11/22
CHECKED BY	DATE
APPROVED BY	DATE
MATERIAL NO. 1060520040	DOCUMENT NO. SD-106052-0040
SIZE B	THIS DRAWING CONTAINS INFORMATION THAT IS PROPRIETARY TO MOLEX INCORPORATED AND SHOULD NOT BE USED WITHOUT WRITTEN PERMISSION

SCALE 2:1	DESIGN UNITS METRIC	THIRD ANGLE PROJECTION
TITLE LC LOOPBACK MM 62.5/125UM		
MOLEX INCORPORATED		
SHEET NO. 1 OF 01		

9 8 7 6 5 4 3 2 1