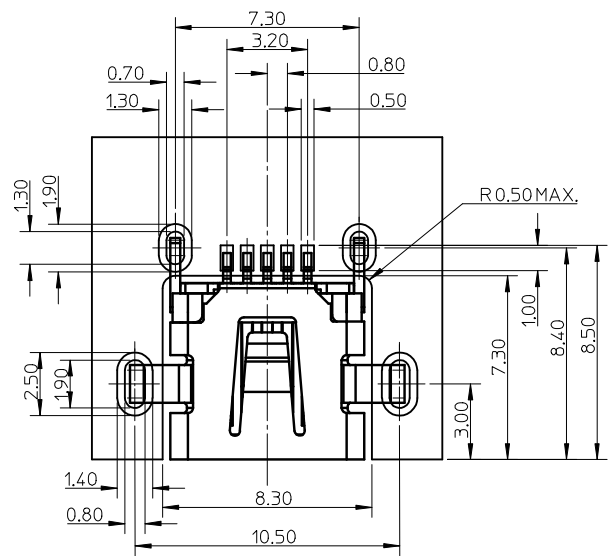
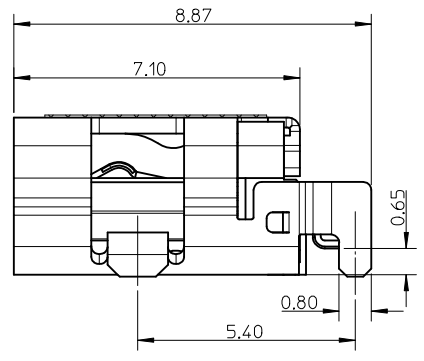
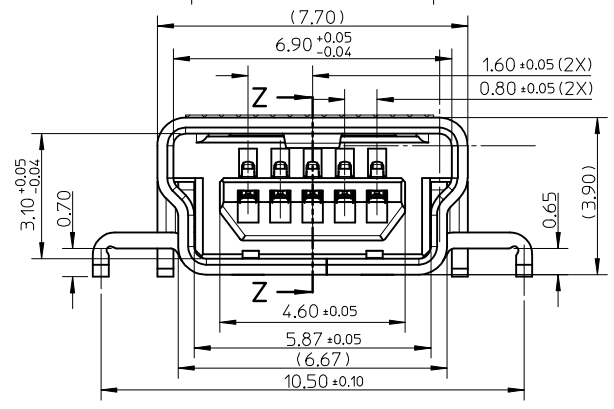
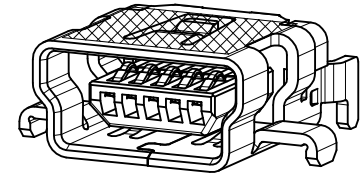
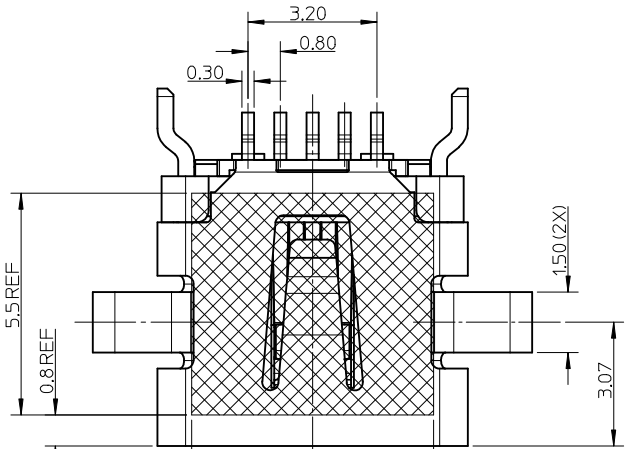
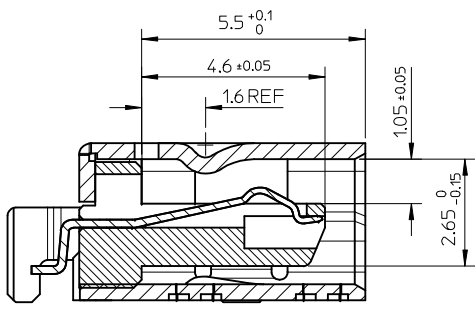


NOTE :

1. MATERIAL :
 HOUSING : LCP GLASS FILLED , BLACK,UL94V-0
 TERMINAL : COPPER ALLOY THICKNESS = 0.2 MM
 SHIELD CASE : STAINLESS STEEL THICKNESS = 0.4 MM
2. PLATING :
 TERMINAL:
 CONTACT AREA : GOLD 0.76 MICRON MINIMUM,
 SOLDER TAIL AREA : MATTE TIN 2.0 MICRON MINIMUM,
 UNDER PLATING : NICKEL 1.25 MICRON MINIMUM,
 SHIELD CASE :
 MATTE TIN 2.0 MICRON MINIMUM,
 UNDER PLATING : NICKEL 1.25 MICRON MINIMUM.
3. COPLANARITY: 0.08 mm MAXIMUM AMONG 5 SOLDER TAILS.
4. PRODUCT SPEC. : PS-67803-001,PACKING SPEC. : PK-105035-001
5. COMPLIANT TO RoHS DIRECTIVE 2002/95/EC
 AND ELV DIRECTIVE 2000/53/EC.



RECOMMEND PCB LAYOUT
 GENERAL TOLERANCE : ±0.05



SECTION Z-Z

REVISE EC NO: SHZ010-0105 DRWN: XJSONG CHKD: APPR: RZHANG	2009/09/18 2009/09/22 2009/10/14	DESCRIPTION REV	QUALITY SYMBOLS	GENERAL TOLERANCES (UNLESS SPECIFIED)	DIMENSION STYLE	SCALE	DESIGN UNITS	THIRD ANGLE PROJECTION
			$\nabla = 0$ $\nabla C = 0$	mm INCH	MM ONLY	1:1	METRIC	
			4 PLACES ± --- ± --- 3 PLACES ± --- ± --- 2 PLACES ± 0.25 ± --- 1 PLACE ± 0.25 ± ---	DRAWN BY DATE XJSONG 2007/12/07	TITLE	MINI USB B RECEPTACLE MIDDLE MOUNT		
			ANGULAR ± 3 °	CHECKED BY DATE JTIAN 2007/12/07	MOLEX INCORPORATED			
DRAFT WHERE APPLICABLE MUST REMAIN WITHIN DIMENSIONS				APPROVED BY DATE HWWANG 2007/12/07	MATERIAL NO. 105035-0001	DOCUMENT NO. SD-105035-001	SHEET NO. 1 OF 1	
				SIZE A3	THIS DRAWING CONTAINS INFORMATION THAT IS PROPRIETARY TO MOLEX INCORPORATED AND SHOULD NOT BE USED WITHOUT WRITTEN PERMISSION			