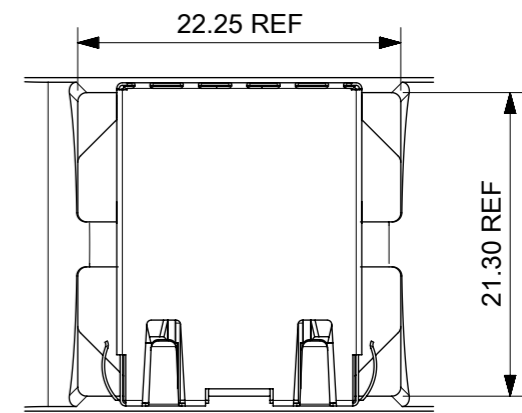
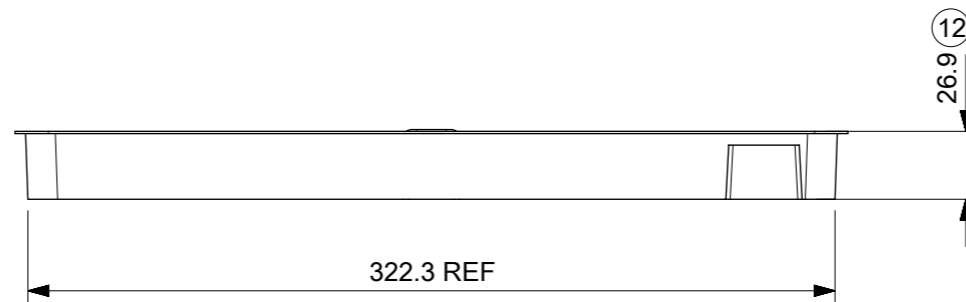
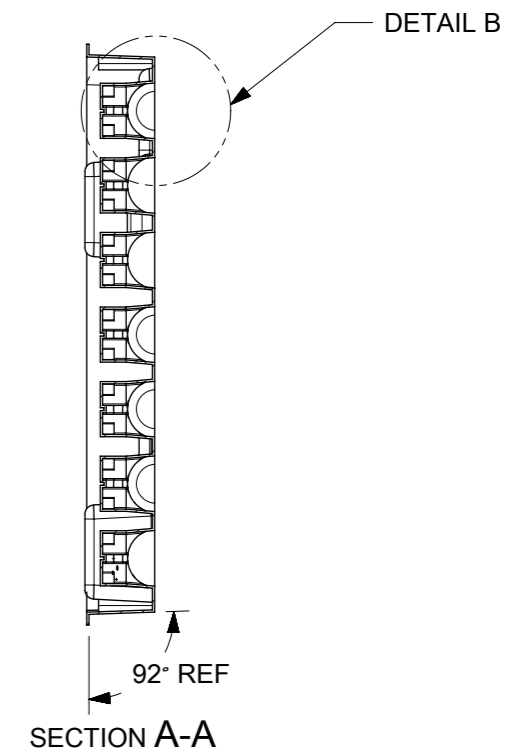
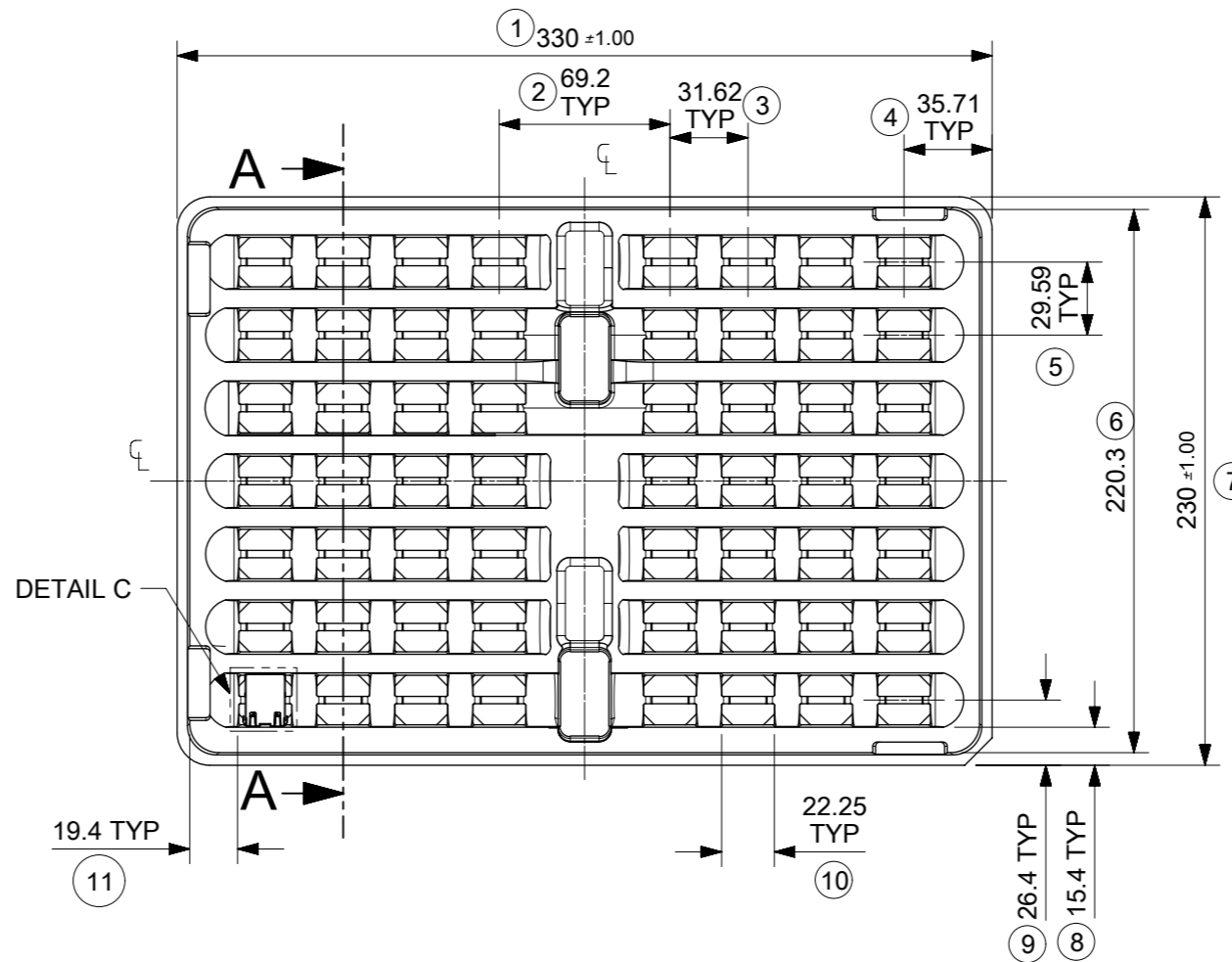


DETAIL B



DETAIL C
SCALE 2:1



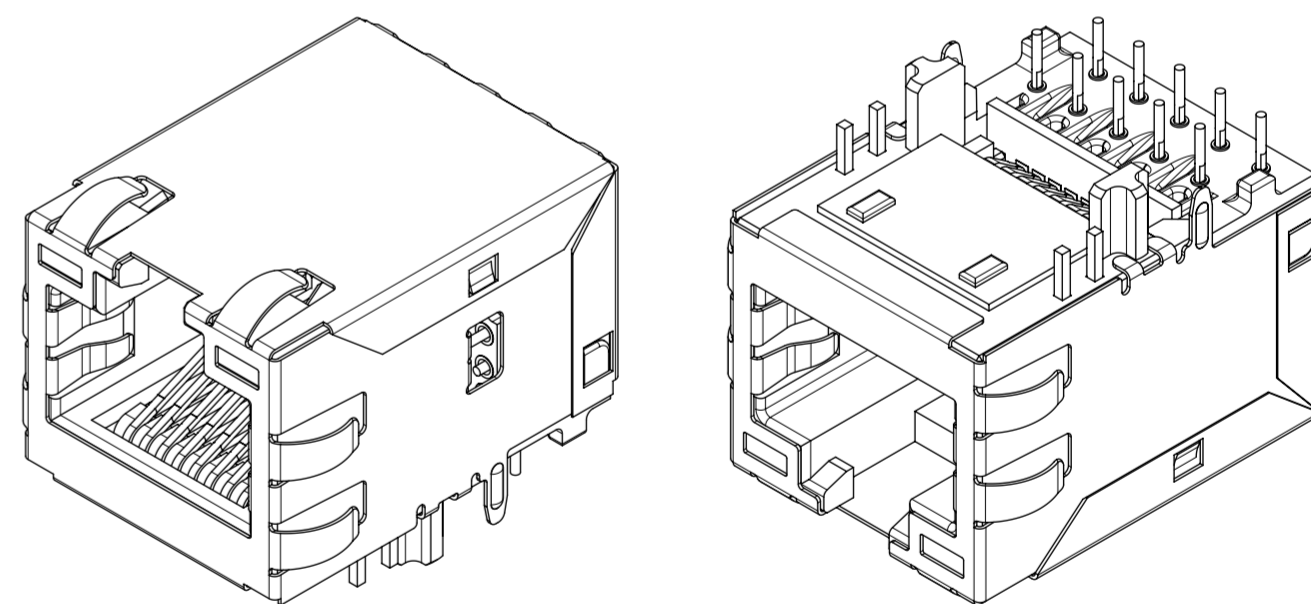
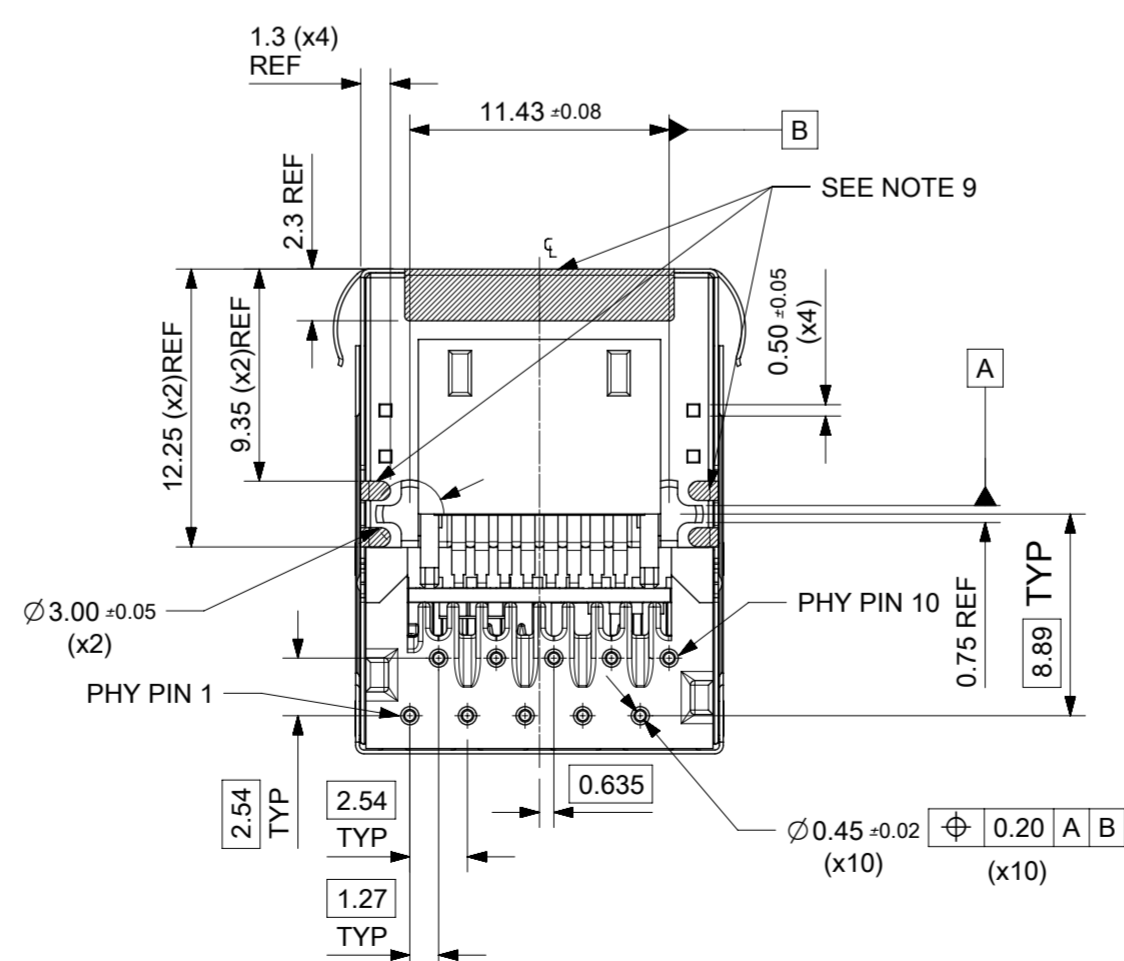
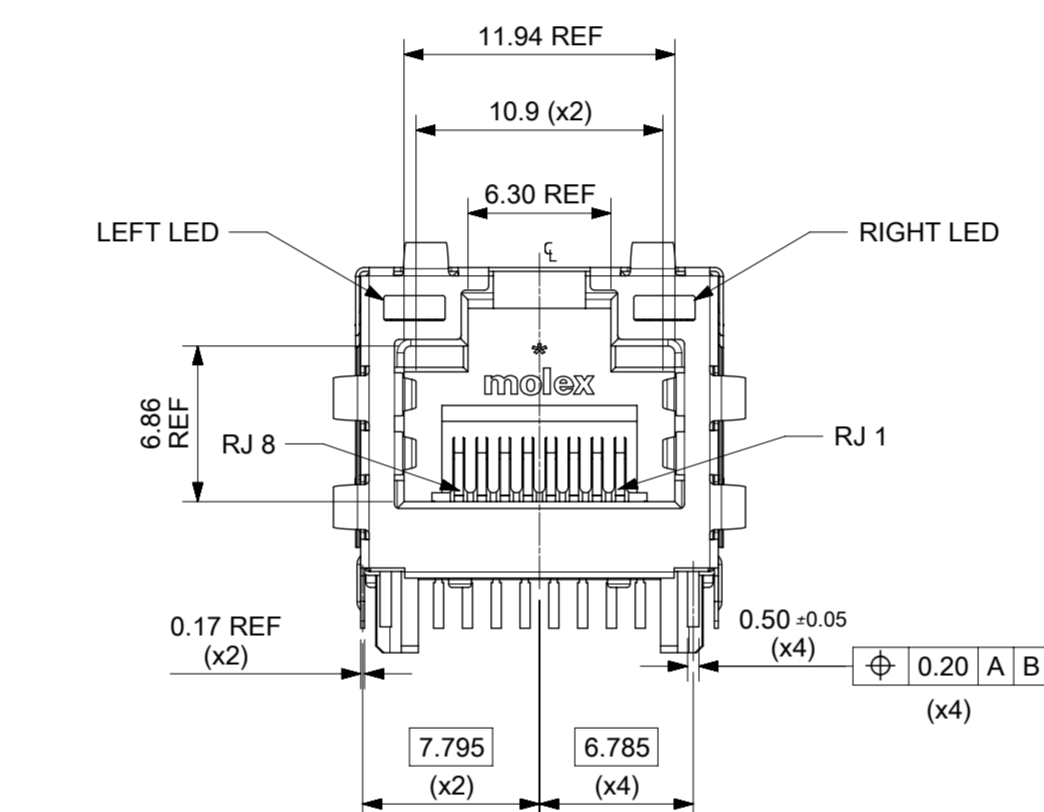
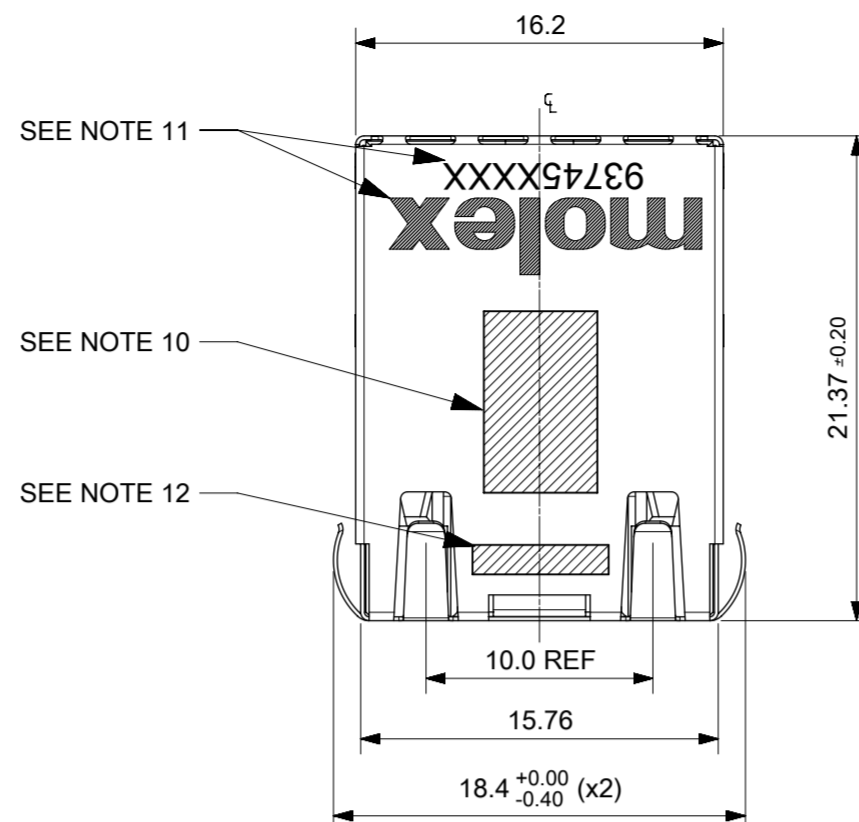
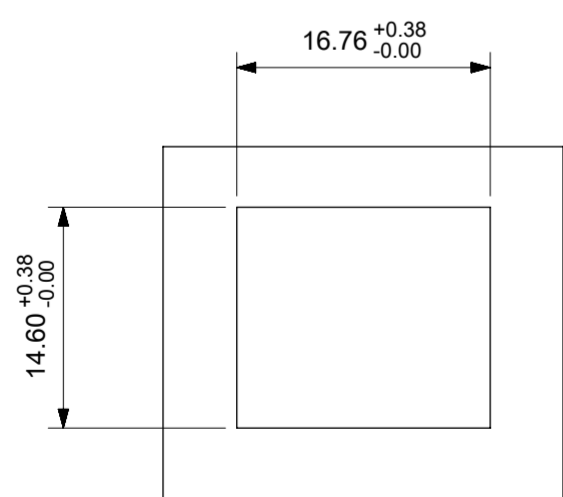
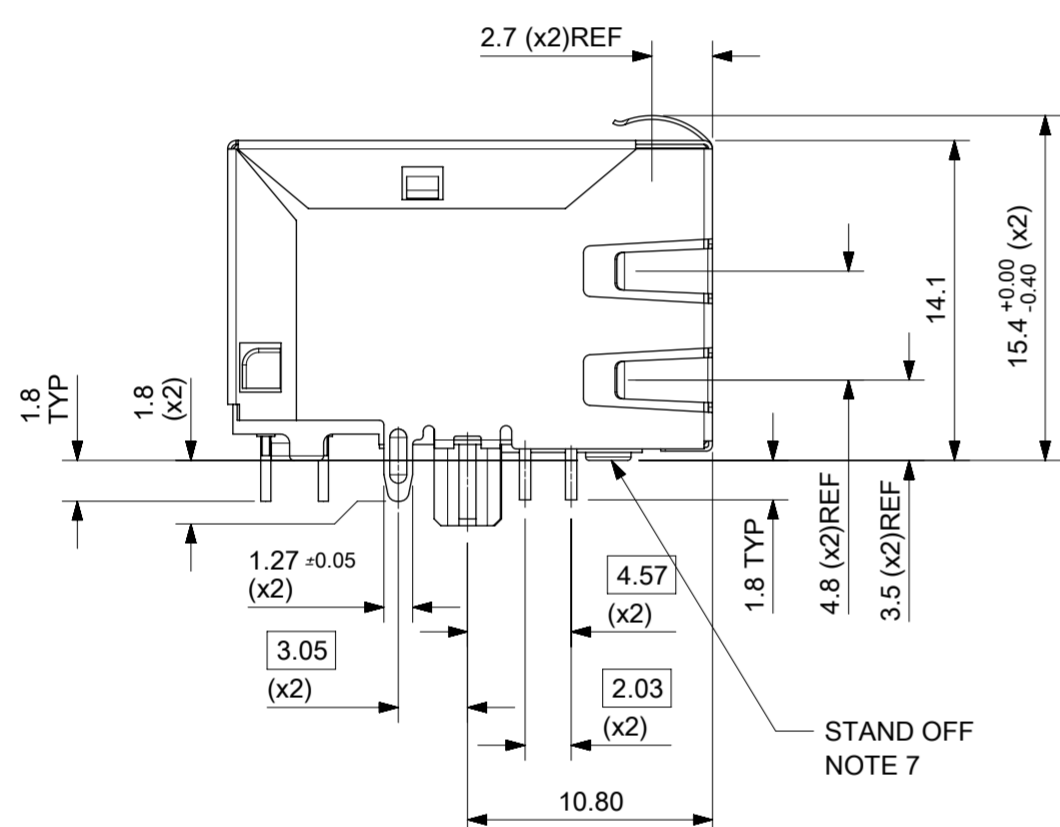
NOTES:

1. MATERIAL: PETA ANTISTATIC
2. THICKNESS: 0.9 mm ± 0.05 mm
3. COLOUR: CLEAR
4. BOW 2 mm MAXIMUM PER 330 mm
5. TWIST 2 mm MAXIMUM PER 330 mm
6. TRAY PART NO. AND RECYCLE LOGO TO BE CLEARLY MARKED ON TRAY
RECYCLE LOGO SHOULD BE APPROPRIATE TO MATERIAL USED
7. WHERE RELEVANT, DIMENSIONS SHOULD BE SYMMETRICAL ABOUT THE CENTRELINE
8. GENERAL PROFILE TOLERANCE $\overline{\cup}$ 0.40 ON NON DIMENSIONED FEATURES

LAST INSPECTION NUMBER USED: 12

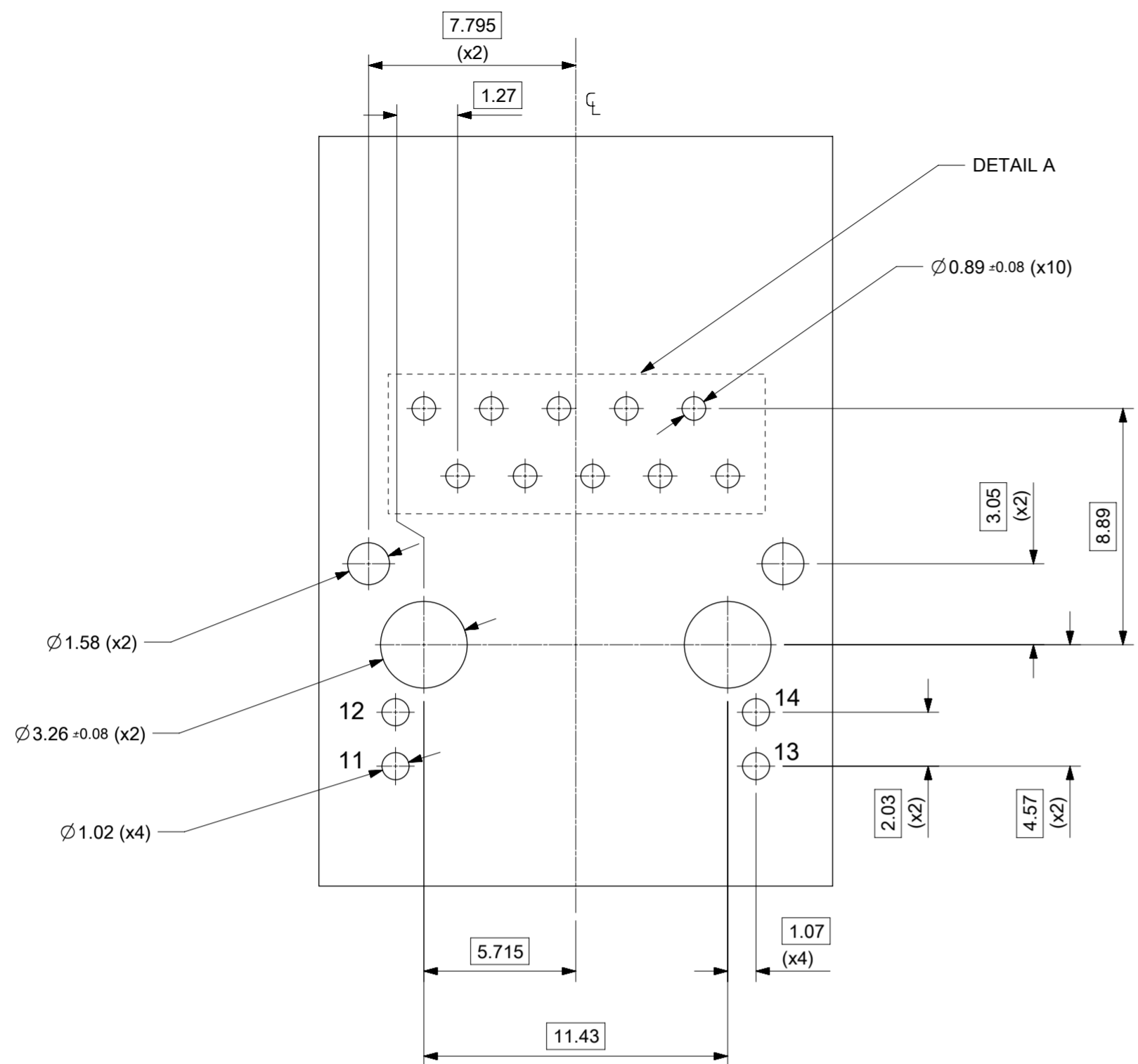
THIS DRAWING CONTAINS INFORMATION THAT IS PROPRIETARY TO MOLEX ELECTRONIC TECHNOLOGIES, LLC AND SHOULD NOT BE USED WITHOUT WRITTEN PERMISSION									
DIMENSION UNITS		SCALE		CURRENT REV DESC: REMOVED REFERENCE TO QUANTITY OF TRAYS PER STACK				molex	
mm		1:3							
GENERAL TOLERANCES (UNLESS SPECIFIED)				EC NO: 602124				MXMAG STANDARD AND INVERTED TRAY	
ANGULAR TOL ± 1.0°				DRWN: DSHEA 2018/09/07					
4 PLACES ±				CHK'D: DBYRNES 2019/01/25					
3 PLACES ±				APPR: DBYRNES 2019/01/25					
2 PLACES ± 0.2				INITIAL REVISION:				PRODUCT CUSTOMER DRAWING	
1 PLACE ± 0.5				DRWN: KREILLY 2016/05/06				DOCUMENT NUMBER	
0 PLACES ±				APPR: STGRIFFIN 2016/12/07				934620003	
DRAFT WHERE APPLICABLE MUST REMAIN WITHIN DIMENSIONS		THIRD ANGLE PROJECTION		DRAWING		SERIES		MATERIAL NUMBER	
		A3-SIZE		93462		990250150		CUSTOMER	
						GENERAL MARKET		SHEET NUMBER	
								1 OF 1	

INVERTED PROFILE MAGNETIC JACK
GIGABIT ETHERNET W/LED
AND W/SHIELD TABS
PIN IN PASTE CAPABLE

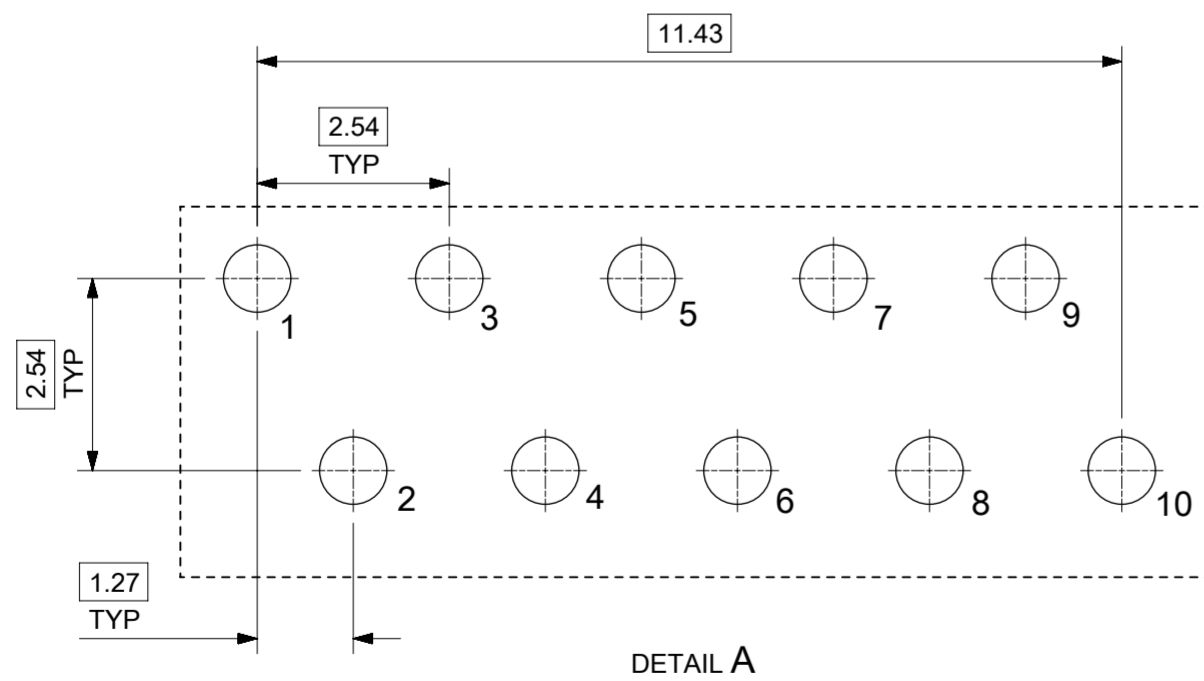


- NOTES:
- SHIELD MATERIAL: 0.17 mm THICK BRASS PRE-PLATED WITH NICKEL
SOLDER TABS POST DIPPED WITH MIN 1.27 μm TIN
 - HOUSING MATERIAL: LCP, BLACK, UL 94V-0
 - TERMINALS MATERIAL: PHOSPHOR BRONZE
RJ45 CONTACTS PLATING: BASE NICKEL PLATED WITH GOLD
FLASH OVER PALLADIUM NICKEL. REFER TO 934620001 PSP
PHY SOLDER TAILS: COPPER ALLOY
 - MATING INTERFACE ACCORDING TO IEC 60603-7 & TIA-1096-A
 - PRODUCT SPECIFICATION: 934620001 PSP
 - PACKAGING SPECIFICATION: 934620001 PSK TRAY
TRAY DRAWING NUMBER: 934620003 PSDK
 - STAND OFF TO SYSTEM BOARD 0.30 mm MIN
 - RECOMMENDED PCB THICKNESS: 1.57 mm
 - SHIELD: AVOID ROUTING TRACES
OR PLACING ANY VIAS BELOW THESE AREAS
 - AREA FOR PICK AND PLACE: 5.0 mm X 8.0 mm
 - INSCRIPTION MARKED BY LASER:
1ST: MOLEX
2ND: P/N (SEE BOM)
 - INSCRIPTION MARKED BY LASER:
DATE CODE(DAY/WEEK/YEAR)

THIS DRAWING CONTAINS INFORMATION THAT IS PROPRIETARY TO MOLEX ELECTRONIC TECHNOLOGIES, LLC AND SHOULD NOT BE USED WITHOUT WRITTEN PERMISSION																									
DIMENSION UNITS		SCALE		CURRENT REV DESC: UPDATED TITLE																					
mm		3:1		<table border="1"> <tr> <td colspan="3" rowspan="2"> molex INV PRO MX-MAG P.I.P. 8 CORE GIG REFLOW CAPABLE </td> <td colspan="3">PRODUCT CUSTOMER DRAWING</td> </tr> <tr> <td>DOCUMENT NUMBER</td> <td>DOC TYPE</td> <td>DOC PART</td> <td>REVISION</td> </tr> <tr> <td colspan="3">937450003</td> <td>PSD</td> <td>000</td> <td>D</td> </tr> </table>						molex INV PRO MX-MAG P.I.P. 8 CORE GIG REFLOW CAPABLE			PRODUCT CUSTOMER DRAWING			DOCUMENT NUMBER	DOC TYPE	DOC PART	REVISION	937450003			PSD	000	D
molex INV PRO MX-MAG P.I.P. 8 CORE GIG REFLOW CAPABLE			PRODUCT CUSTOMER DRAWING																						
			DOCUMENT NUMBER							DOC TYPE	DOC PART	REVISION													
937450003			PSD							000	D														
GENERAL TOLERANCES (UNLESS SPECIFIED)		ANGULAR TOL ± 2.0°								4 PLACES ±		3 PLACES ±		2 PLACES ± 0.1											
1 PLACE ± 0.2		0 PLACES ±								EC NO: 604273		DRWN: DSHEA 2018/07/26		CHK'D: SMCGREEVY 2018/08/15											
DRAFT WHERE APPLICABLE MUST REMAIN WITHIN DIMENSIONS		THIRD ANGLE PROJECTION		DRAWING		SERIES		MATERIAL NUMBER																	
				A2-SIZE		93745		SEE TABLE ON SHEET 2																	
CUSTOMER		GENERAL MARKET		SHEET NUMBER		1 OF 3																			



SUGGESTED BOARD LAYOUT
GIGABIT VERSION
COMPONENT SIDE
ALL DIMS REFERENCE DIMS

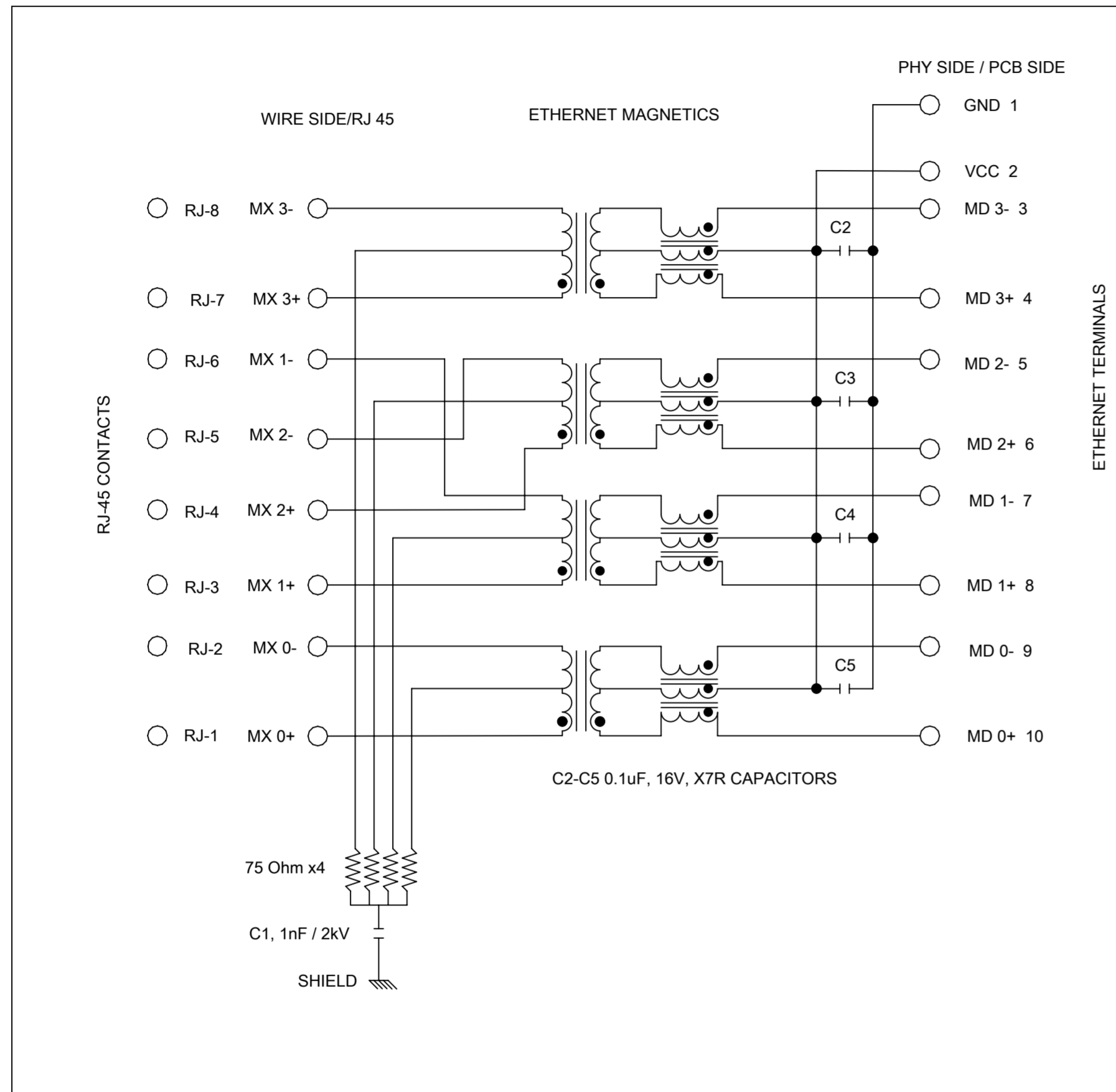


PIN CONFIGURATION
FOR GIGABIT VERSION

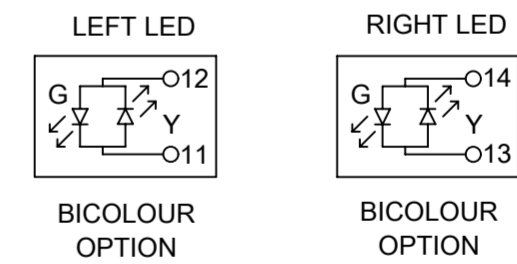
PART NUMBER	LEFT LED	RIGHT LED
937453608	GREEN/YELLOW	GREEN/YELLOW

THIS DRAWING CONTAINS INFORMATION THAT IS PROPRIETARY TO MOLEX ELECTRONIC TECHNOLOGIES, LLC AND SHOULD NOT BE USED WITHOUT WRITTEN PERMISSION											
DIMENSION UNITS	SCALE	CURRENT REV DESC: UPDATED TITLE									
mm	5:1										
GENERAL TOLERANCES (UNLESS SPECIFIED)							INV PRO MX-MAG P.I.P. 8 CORE GIG REFLOW CAPABLE				
ANGULAR TOL	± 2.0°	EC NO: 604273					PRODUCT CUSTOMER DRAWING				
4 PLACES	±	DRWN: DSHEA		2018/07/26			DOCUMENT NUMBER				
3 PLACES	±	CHK'D: SMCGREEVY		2018/08/15			937450003		DOC TYPE	DOC PART	REVISION
2 PLACES	± 0.1	APPR: DBYRNES		2019/09/25					PSD	000	D
1 PLACE	± 0.2	INITIAL REVISION:					MATERIAL NUMBER				
0 PLACES	±	DRWN: KREILLY		2015/08/25			CUSTOMER		SHEET NUMBER		
DRAFT WHERE APPLICABLE MUST REMAIN WITHIN DIMENSIONS		THIRD ANGLE PROJECTION		DRAWING	SERIES	SEE TABLE		GENERAL MARKET		2 OF 3	

DOCUMENT STATUS	P1	RELEASE DATE	2019/09/25	12:10:10
-----------------	----	--------------	------------	----------



Description	Value	
OCL @100 kHz, 0.1 V, 8 mA DC bias (0°C to +70°C)	350 µH min.	
Turns ratio	1CT:1CT	
Transmission characteristics @ 25°C, all four pairs		
Insertion Loss		
Frequency f, (MHz)	Limits (dB max.)	Typical Values (dB max.)
1.0-9.9	0.4+0.1*log(f)	0.5 @ 10 MHz
10-49.9	0.5+0.3*log(f/10)	0.7 @ 50 MHz
50-79.9	1+1.4*log(f/80)	1.0 @ 80 MHz
80-100	1.3+3*log(f/100)	1.3 @ 100 MHz
Return Loss		
Frequency f, (MHz)	Limits (dB min.)	Typical Values (dB min.)
1.0-39.9	18	18 @ 40 MHz
40-100	12-20*log(f/80)	10 @ 100 MHz
CMR		
Frequency f, (MHz)	Limits (dB min.)	Typical Values (dB min.)
1.0-100	30	30 @ 100 MHz
NEXT		
Frequency f, (MHz)	Limits (dB min.)	Typical Values (dB min.)
1.0-39.9	35	35 @ 40 MHz
40-100	33-20*log(f/50)	27 @ 100 MHz
Isolation PHY to wire side	2.25 kV DC/60sec	



THIS DRAWING CONTAINS INFORMATION THAT IS PROPRIETARY TO MOLEX ELECTRONIC TECHNOLOGIES, LLC AND SHOULD NOT BE USED WITHOUT WRITTEN PERMISSION									
DIMENSION UNITS	SCALE	CURRENT REV DESC: UPDATED TITLE							
mm	1:1								
GENERAL TOLERANCES (UNLESS SPECIFIED)		EC NO: 604273			INV PRO MX-MAG P.I.P. 8 CORE GIG REFLOW CAPABLE				
ANGULAR TOL	± 2.0°	DRWN: DSHEA 2018/07/26							
4 PLACES	±	CHK'D: SMCGREEVY 2018/08/15			PRODUCT CUSTOMER DRAWING				
3 PLACES	±	APPR: DBYRNES 2019/09/25							
2 PLACES	± 0.1	INITIAL REVISION:			DOCUMENT NUMBER 937450003				
1 PLACE	± 0.2	DRWN: KREILLY 2015/08/25							
0 PLACES	±	APPR: STGRIFFIN 2015/11/18			DOC TYPE PSD DOC PART 000 REVISION D				
DRAFT WHERE APPLICABLE MUST REMAIN WITHIN DIMENSIONS		THIRD ANGLE PROJECTION	DRAWING	SERIES					
			A2-SIZE	93745	SEE TABLE ON SHEET 2	GENERAL MARKET		3 OF 3	