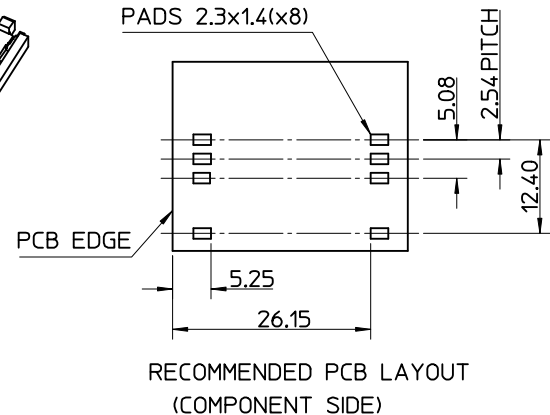
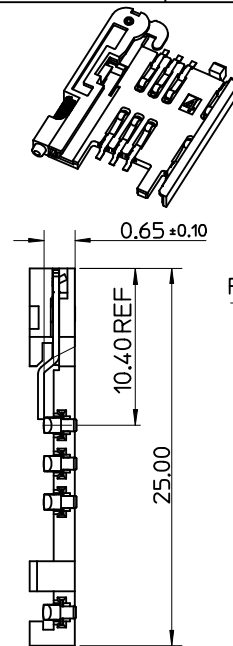
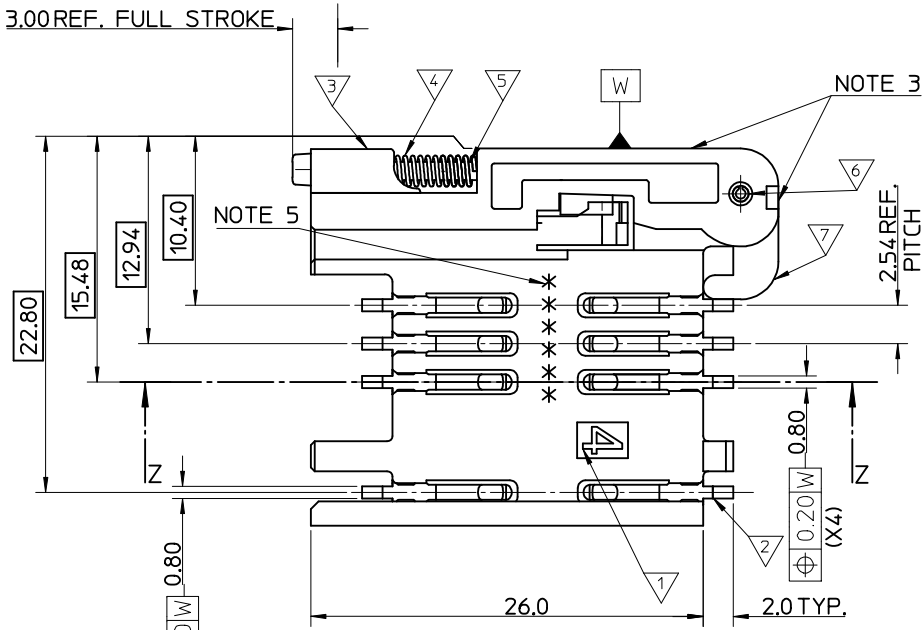
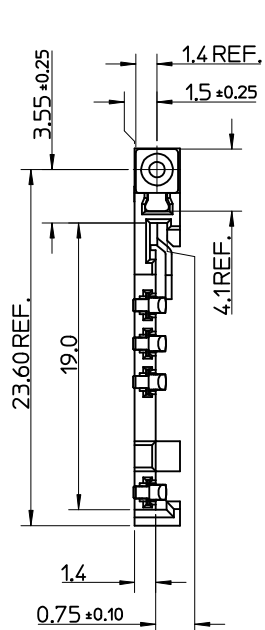
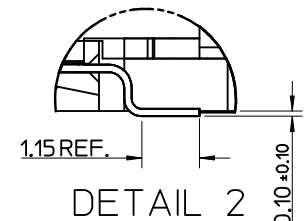
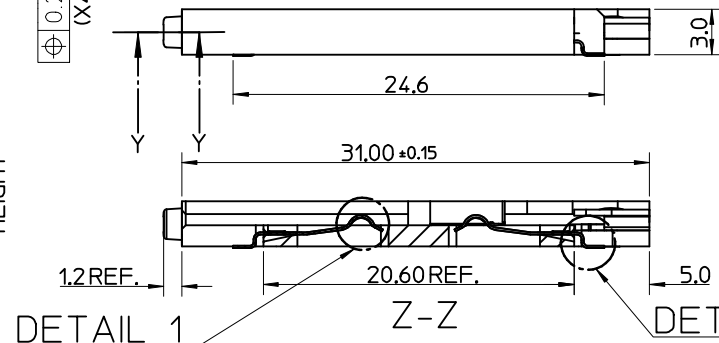
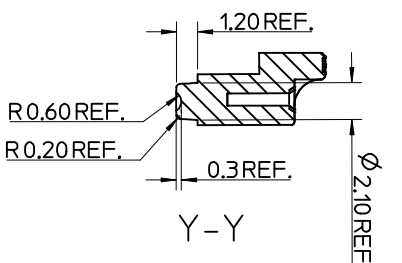
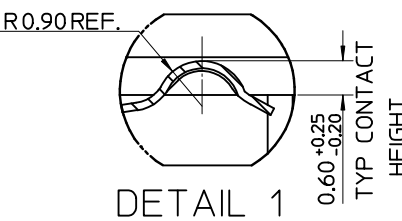


MATERIAL NUMBER	DESCRIPTION
912283001	REELED ONTO CARDBOARD REEL
912283019	REELED ONTO PLASTIC REEL



- NOTES:
- SEE PRODUCT SPECIFICATION PS-99020-0071.
  - PACKAGING: TAPE & REEL, FOR DETAIL SEE SDA-91228-9001, SHEET 1
  - PUSH ROD/LEVER MUST NOT PROTRUDE BEYOND HOUSING EDGE IN THIS AREA.
  - TAILS ON EACH SIDE OF CONNECTOR TO LIE WITHIN 0.12 mm OF EACH OTHER
  - DATECODE: (YEAR, WEEK, WEEK, DAY, HOUR, HOUR)



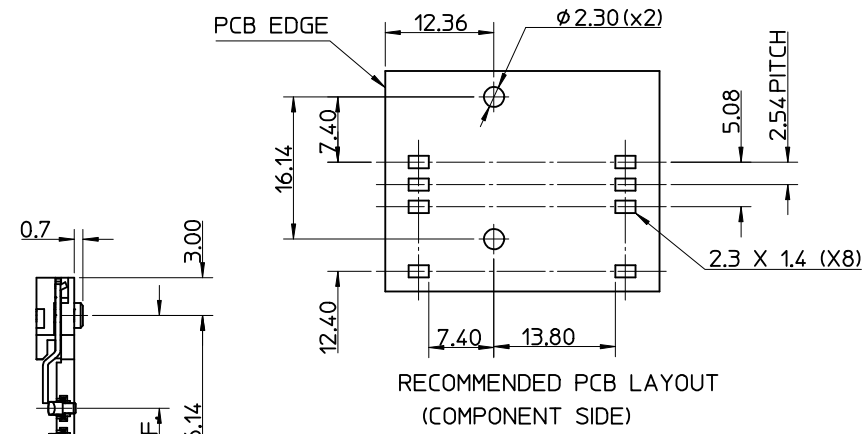
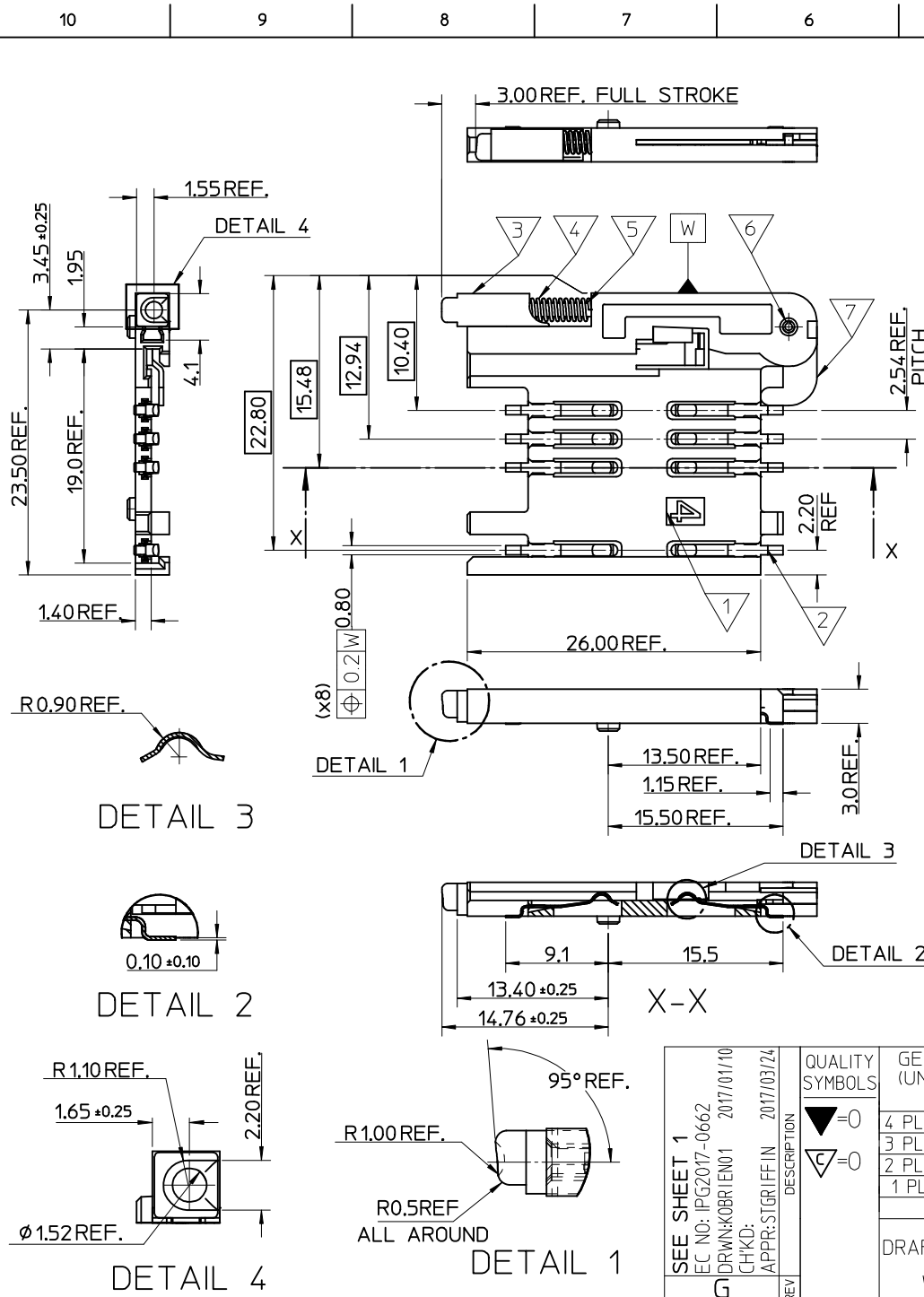
ITEM	COMPONENT	QTY	MATERIAL
▽	HOUSING	1	LIQUID CRYSTAL POLYMER (LCP) 30% GLASS FILL, JL94 V-O, COLOUR: BLACK
▽	TERMINAL	8	0.15 PHOSPHOR BRONZE, 0.14µm MIN Au OVER Pd/Ni IN CONTACT AREA 2.54µm MIN Sn ON SMT TAILS
▽	PUSH BUTTON	1	GF POLYAMIDE 6T/66, YELLOW
▽	COIL SPRING	1	0.25 REF THK STAINLESS STEEL
▽	PUSH ROD	1	0.4 REF THK STAINLESS STEEL
▽	C-PIN	1	STEEL
▽	LEVER	1	0.4 REF THK STAINLESS STEEL

OBSOLETE P/N	QUALITY SYMBOLS
EC NO: IPG2017-0662	▽=0
DRW:KOBRIEN01 2017/01/10	▽=0
CHKD:	
APPR:STGR/IFFIN 2017/03/24	
REV	DESCRIPTION

GENERAL TOLERANCES (UNLESS SPECIFIED)	
mm	INCH
4 PLACES ± ---	± ---
3 PLACES ± ---	± ---
2 PLACES ± 0.05	± ---
1 PLACE ± 0.1	± ---
ANGULAR ± 2 °	
DRAFT WHERE APPLICABLE MUST REMAIN WITHIN DIMENSIONS	

DIMENSION STYLE	
MM ONLY	
DRAWN BY	DATE
RFORREY	2006/11/27
CHECKED BY	DATE
FDUGGAN	2006/11/27
APPROVED BY	DATE
EFOLAN	2006/11/27
MATERIAL NO.	
SEE TABLE	

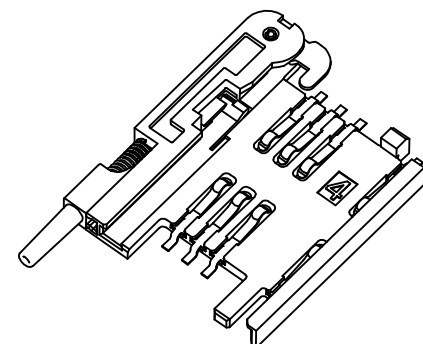
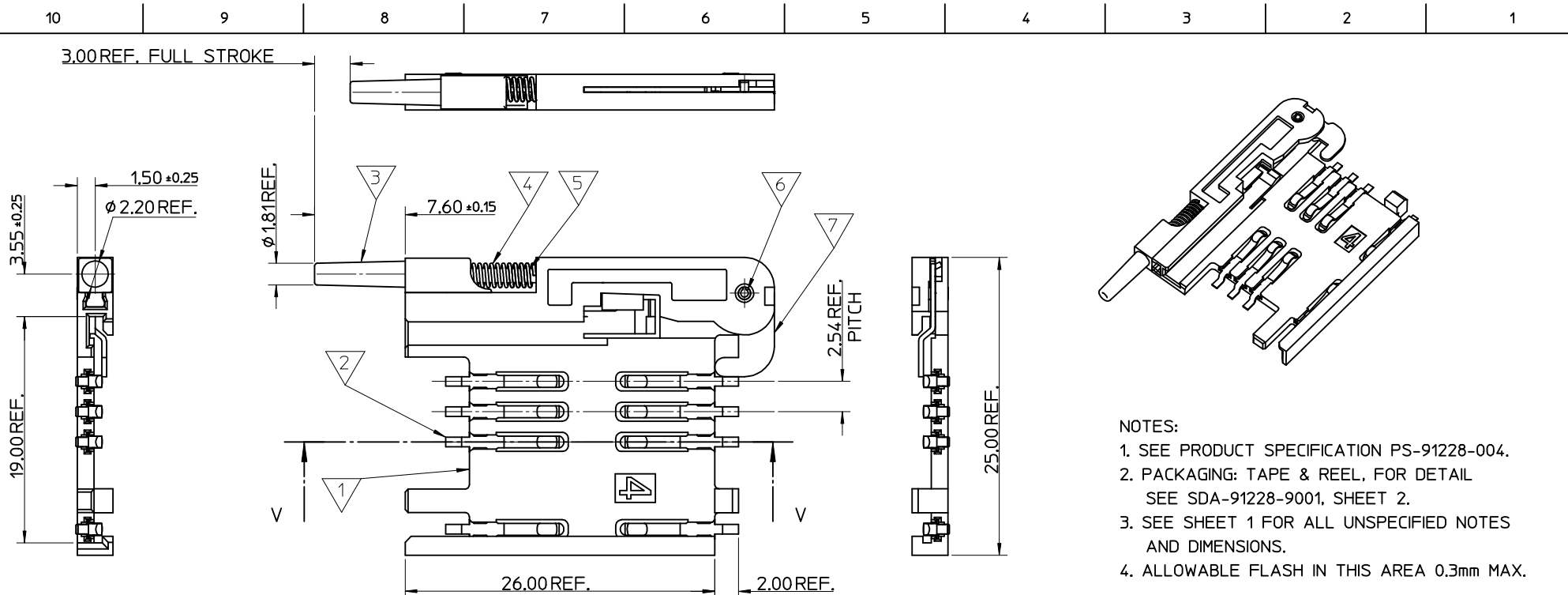
SCALE	DESIGN UNITS	THIRD ANGLE PROJECTION
5:1	METRIC	
TITLE		
SIM CONNECTOR ASSY		
MOLEX INCORPORATED		SHEET NO.
DOCUMENT NO.		1 OF 5
SD-91228-001		
THIS DRAWING CONTAINS INFORMATION THAT IS PROPRIETARY TO MOLEX INCORPORATED AND SHOULD NOT BE USED WITHOUT WRITTEN PERMISSION		



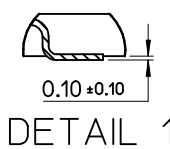
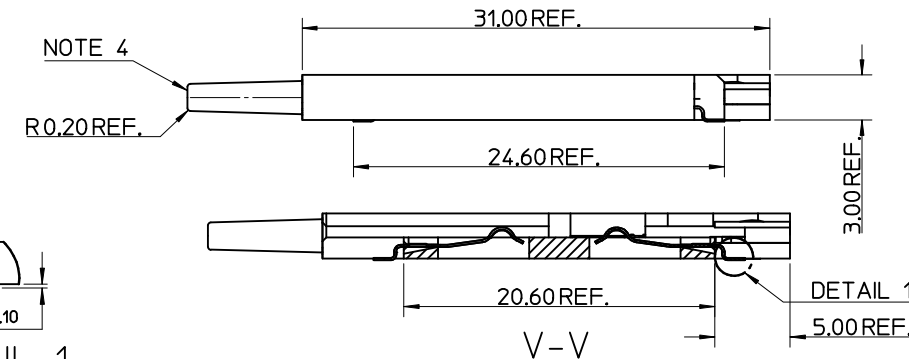
- NOTES:
1. SEE PRODUCT SPECIFICATION PS-99020-0071.
  2. PACKAGING: TAPE & REEL, FOR DETAIL SEE SDA-91228-9001, SHEET 1
  3. FOR ALL UNSPECIFIED DIMENSIONS AND NOTES SEE SHEET 1.

ITEM	COMPONENT	QTY	MATERIAL
▽	HOUSING		LIQUID CRYSTAL POLYMER (LCP) 30% GLASS FILL, UL94 V-0, COLOUR: BLACK
▽	TERMINAL		0.15 PHOSPHOR BRONZE. 0.14µm MIN Au OVER Pd/Ni IN CONTACT AREA 2.51µm MIN Sn ON SMT TAILS
▽	PUSH BUTTON		GF POLYAMIDE 6T/66. BLACK.
▽	COIL SPRING		0.25 REF THK STAINLESS STEEL
▽	PUSH ROD		0.4 REF THK STAINLESS STEEL
▽	C-PIN		STEEL
▽	LEVER		0.4 REF THK STAINLESS STEEL

SEE SHEET 1 EC NO: PG2017-0662 DRWN: KOBRI/EN01 2017/01/10 CHKD: APPR: STGR/FFIN 2017/03/24 REV	QUALITY SYMBOLS ▽=0 ▽=0	GENERAL TOLERANCES (UNLESS SPECIFIED) mm INCH 4 PLACES ± --- ± --- 3 PLACES ± --- ± --- 2 PLACES ± 0.05 ± --- 1 PLACE ± 0.1 ± --- ANGULAR ± 2 °	DIMENSION STYLE MM ONLY DRAWN BY: RFORREY CHECKED BY: FDUGGAN APPROVED BY: EFOLAN MATERIAL NO. 912283002	SCALE 5:1 DESIGN UNITS METRIC THIRD ANGLE PROJECTION DATE: 2006/11/27 DATE: 2006/11/27 DATE: 2006/11/27	TITLE SIM CONNECTOR ASSY MOLEX INCORPORATED DOCUMENT NO. SD-91228-001 SHEET NO. 2 OF 5	
	DRAFT WHERE APPLICABLE MUST REMAIN WITHIN DIMENSIONS		THIS DRAWING CONTAINS INFORMATION THAT IS PROPRIETARY TO MOLEX INCORPORATED AND SHOULD NOT BE USED WITHOUT WRITTEN PERMISSION			
			SIZE A3			

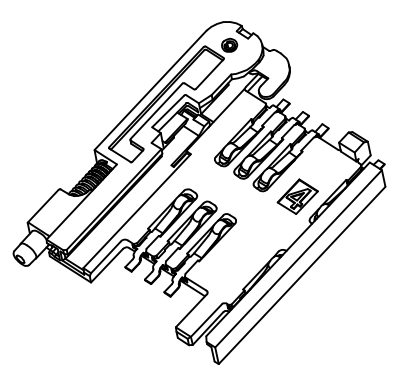
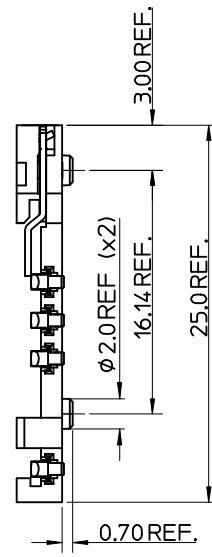
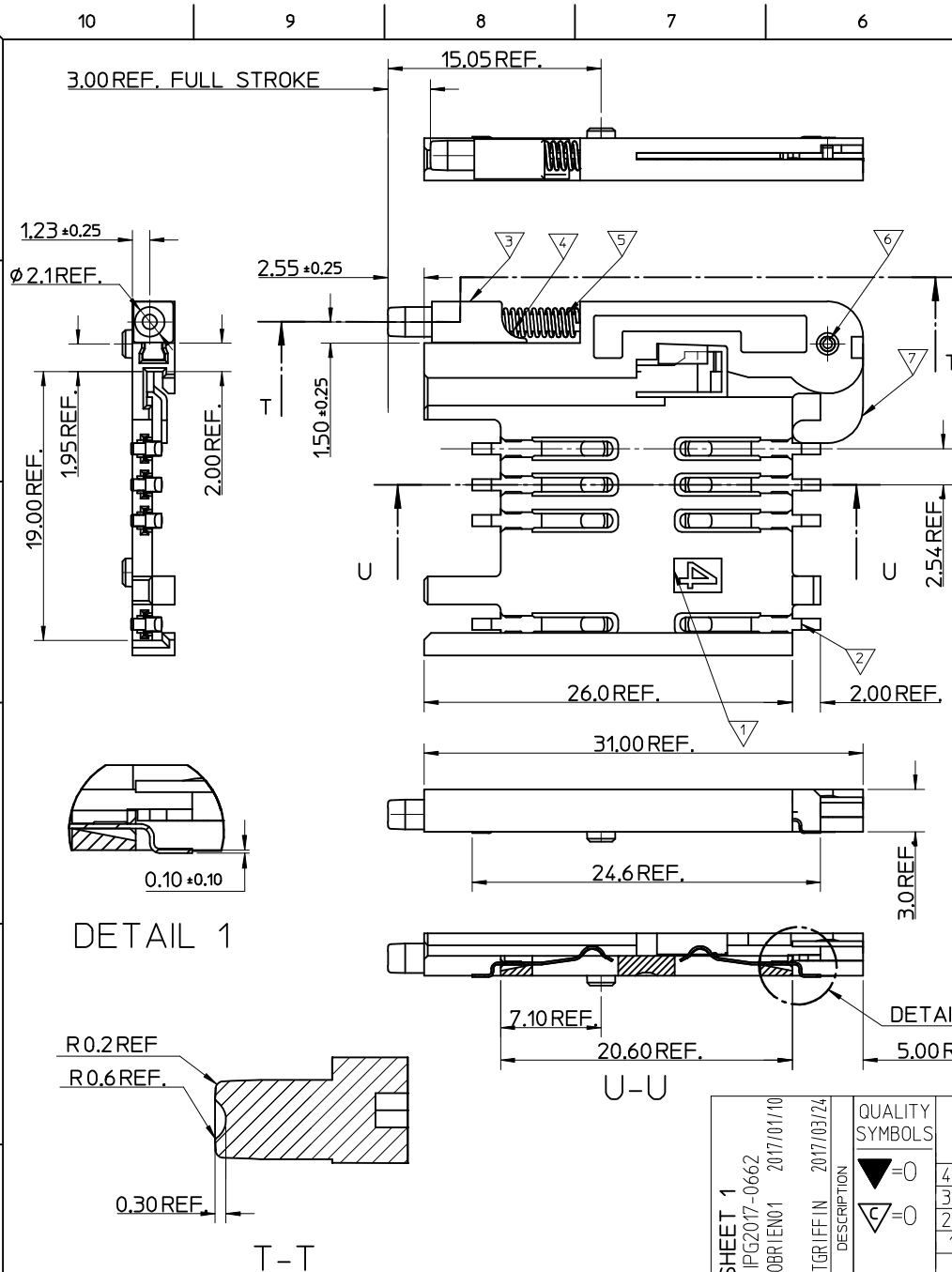


- NOTES:
1. SEE PRODUCT SPECIFICATION PS-91228-004.
  2. PACKAGING: TAPE & REEL, FOR DETAIL SEE SDA-91228-9001, SHEET 2.
  3. SEE SHEET 1 FOR ALL UNSPECIFIED NOTES AND DIMENSIONS.
  4. ALLOWABLE FLASH IN THIS AREA 0.3mm MAX.



ITEM	COMPONENT	QTY	MATERIAL
1	HOUSING	1	LIQUID CRYSTAL POLYMER (LCP) 30% GLASS FILL, UL94 V-0, COLOUR: BLACK
2	TERMINAL	8	0.15 PHOSPHOR BRONZE. 0.14mm MIN Au OVER Pd/Ni IN CONTACT AREA 2.54mm MIN Sn ON SMT TAILS
3	PUSH BUTTON	1	GF POLYAMIDE 6T/66, NATURAL
4	COIL SPRING	1	0.25 REF THK STAINLESS STEEL
5	PUSH ROD	1	0.4 REF THK STAINLESS STEEL
6	C-PIN	1	STEEL
7	LEVER	1	0.4 REF THK STAINLESS STEEL

SEE SHEET 1 EC NO: IPG2017-0662 DRW: KOBRIEN01 2017/01/10 CHKD: APPR: STGRIFFIN 2017/03/24	QUALITY SYMBOLS	GENERAL TOLERANCES (UNLESS SPECIFIED)	DIMENSION STYLE	SCALE	DESIGN UNITS	THIRD ANGLE PROJECTION	
	$\nabla = 0$ $\nabla C = 0$	mm INCH 4 PLACES ± --- ± --- 3 PLACES ± --- ± --- 2 PLACES ± 0.05 ± --- 1 PLACE ± 0.1 ± --- ANGULAR ± 2°	MM ONLY	5:1	METRIC		
		DRAFT WHERE APPLICABLE MUST REMAIN WITHIN DIMENSIONS	DRAWN BY: RFORREY CHECKED BY: FDUGGAN APPROVED BY: EFOLAN MATERIAL NO. 912283005	DATE: 2006/11/27 DATE: 2006/11/27 DATE: 2006/11/27	TITLE: SIM CONNECTOR ASSY MOLEX INCORPORATED DOCUMENT NO. SD-91228-001 SHEET NO. 3 OF 5		
			SIZE: A3 THIS DRAWING CONTAINS INFORMATION THAT IS PROPRIETARY TO MOLEX INCORPORATED AND SHOULD NOT BE USED WITHOUT WRITTEN PERMISSION				



- NOTES:
1. SEE PRODUCT SPECIFICATION PS-99020-0071.
  2. PACKAGING: TAPE & REEL, FOR DETAIL SEE SDA-91228-9001, SHEET 2.
  3. SEE SHEETS 1 & 2 FOR ALL UNSPECIFIED NOTES AND DIMENSIONS.

ITEM	COMPONENT	QTY	MATERIAL
▽	HOUSING	1	LIQUID CRYSTAL POLYMER (LCP) 30% GLASS FILL, UL94 V-0, COLOUR: BLACK
▽	TERMINAL	8	0.15 PHOSPHOR BRONZE. 0.14µm MIN Au OVER Pd/Ni IN CONTACT AREA 2.54µm MIN Sn ON SMT TAILS
▽	PUSH BUTTON	1	GF POLYAMIDE 6T/66, BLACK.
▽	COIL SPRING	1	0.25 REF THK STAINLESS STEEL
▽	PUSH ROD	1	0.4 REF THK STAINLESS STEEL
▽	C-PIN	1	STEEL
▽	LEVER	1	0.4 REF THK STAINLESS STEEL

DETAIL 1

DETAIL 1

T-T

SEE SHEET 1  
 EC NO: IPG2017-0662  
 DRW: NIKOBRI/EM01 2017/01/10  
 CHKD:  
 APPR: STGR/FFIN 2017/03/24

QUALITY SYMBOLS  
 ▽=0  
 ▽=0

GENERAL TOLERANCES (UNLESS SPECIFIED)

	mm	INCH
4 PLACES	± ---	± ---
3 PLACES	± ---	± ---
2 PLACES	± 0.05	± ---
1 PLACE	± 0.1	± ---
ANGULAR ± 2 °		

DRAFT WHERE APPLICABLE  
 MUST REMAIN  
 WITHIN DIMENSIONS

DIMENSION STYLE  
**MM ONLY**

DRAWN BY: RFORREY  
 DATE: 2006/11/27

CHECKED BY: FDUGGAN  
 DATE: 2006/11/27

APPROVED BY: EFOLAN  
 DATE: 2006/11/27

MATERIAL NO.  
**912283006**

SCALE  
**5:1**

DESIGN UNITS  
**METRIC**

THIRD ANGLE PROJECTION

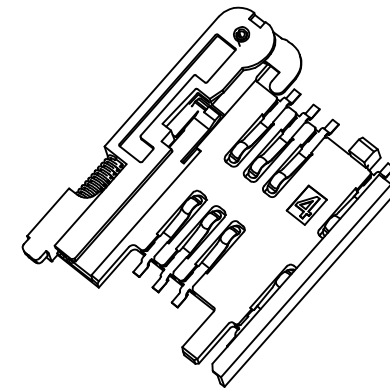
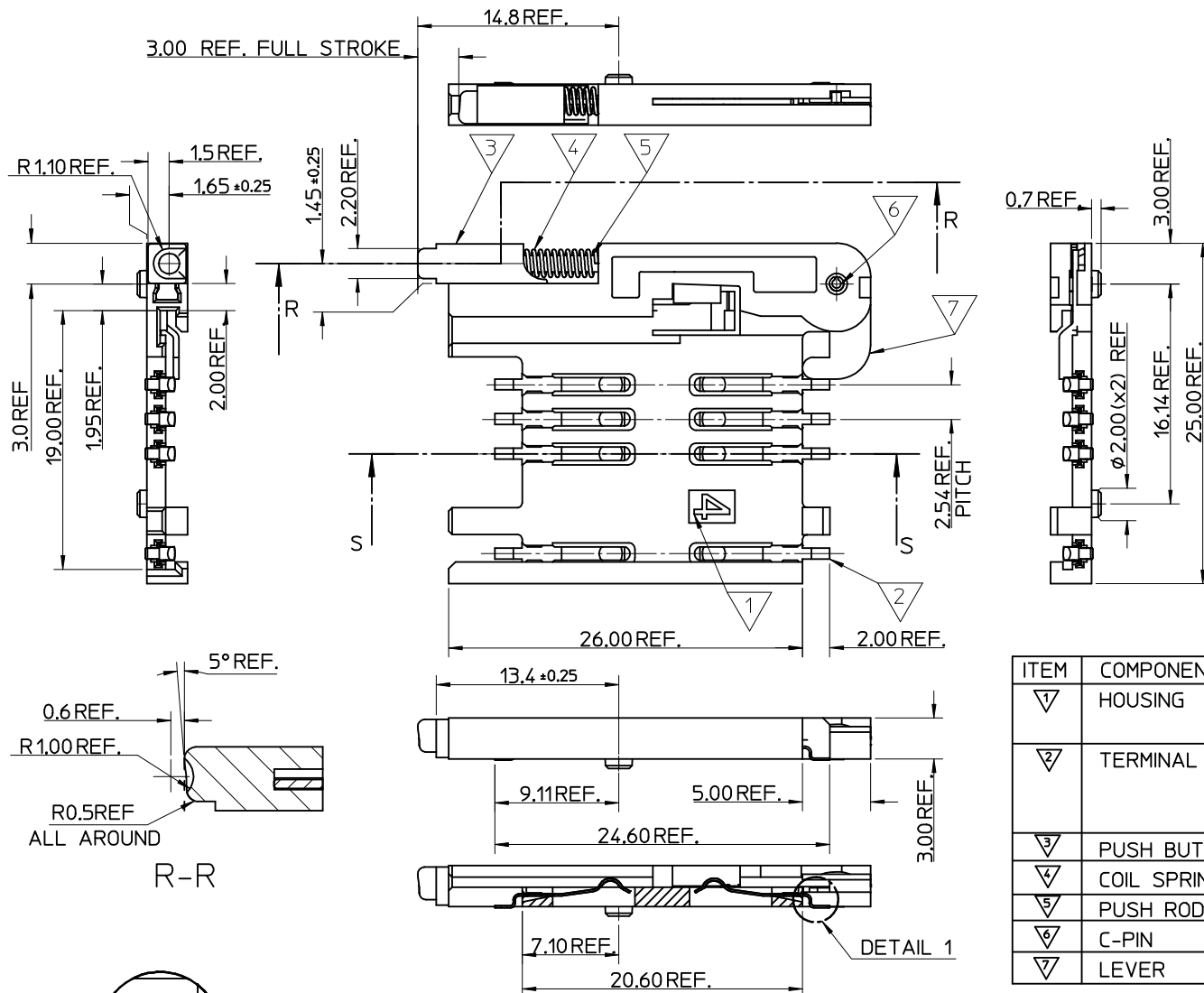
TITLE  
**SIM CONNECTOR ASSY**

**molex** MOLEX INCORPORATED

DOCUMENT NO.  
**SD-91228-001**

SHEET NO.  
**4 OF 5**

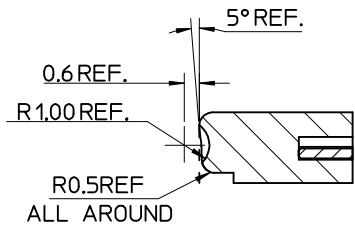
THIS DRAWING CONTAINS INFORMATION THAT IS PROPRIETARY TO MOLEX INCORPORATED AND SHOULD NOT BE USED WITHOUT WRITTEN PERMISSION



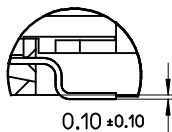
NOTES:

1. SEE PRODUCT SPECIFICATION PS-99020-0071.
2. PACKAGING: TAPE & REEL, FOR DETAIL SEE SDA-91228-9001, SHEET 1.
3. SEE SHEET 1 FOR ALL UNSPECIFIED NOTES AND DIMENSIONS.

ITEM	COMPONENT	QTY	MATERIAL
▽	HOUSING	1	LIQUID CRYSTAL POLYMER (LCP) 30% GLASS FILL, UL94 V-O, COLOUR: BLACK
▽	TERMINAL	8	0.15 PHOSPHOR BRONZE. 0.14μm MIN Au OVER Pd/Ni IN CONTACT AREA 2.54μm MIN Sn ON SMT TAILS
▽	PUSH BUTTON	1	GF POLYAMIDE 6T/66, BLUE
▽	COIL SPRING	1	0.25 REF THK STAINLESS STEEL
▽	PUSH ROD	1	0.4 REF THK STAINLESS STEEL
▽	C-PIN	1	STEEL
▽	LEVER	1	0.4 REF THK STAINLESS STEEL



R-R



DETAIL 1

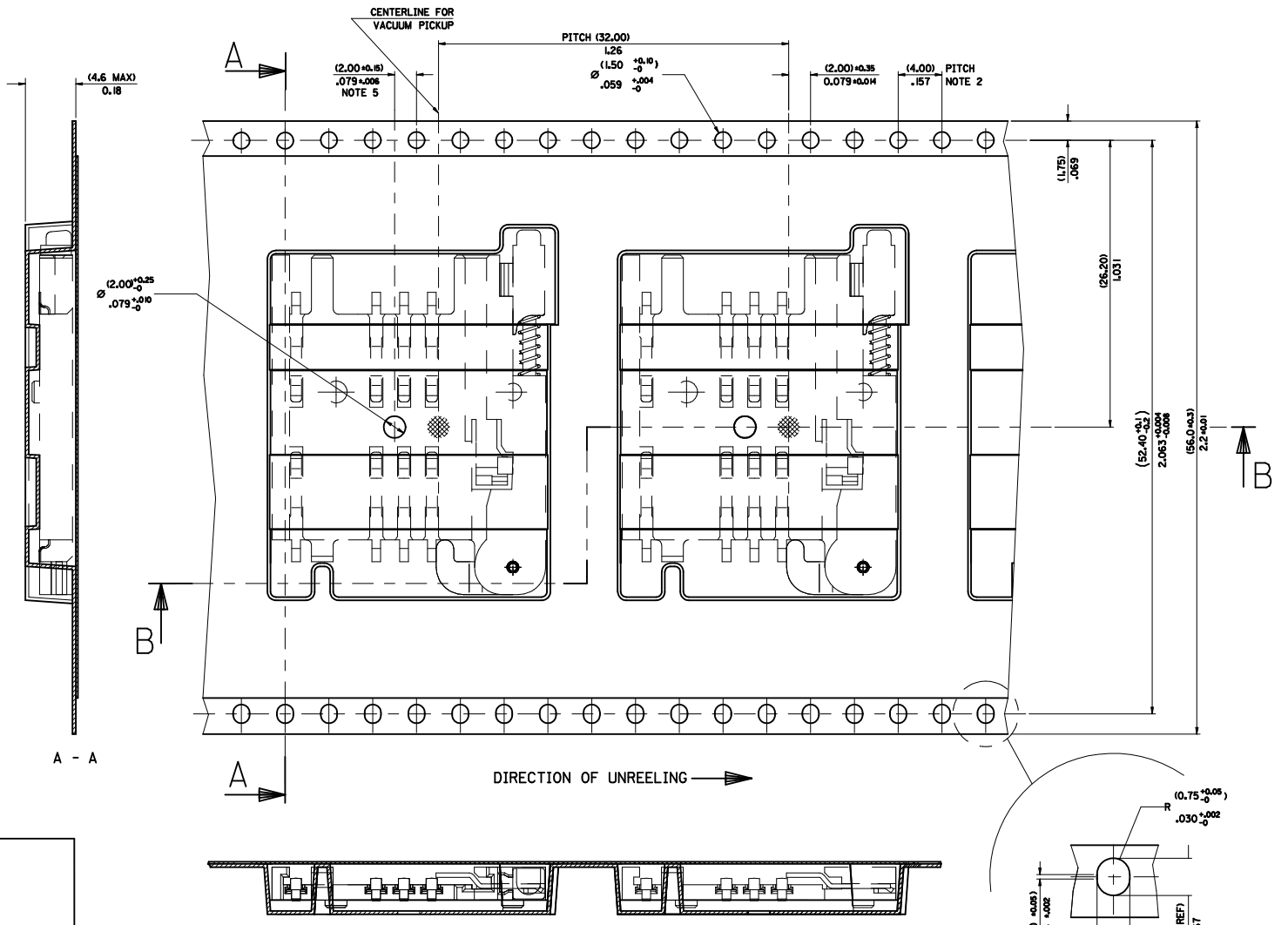
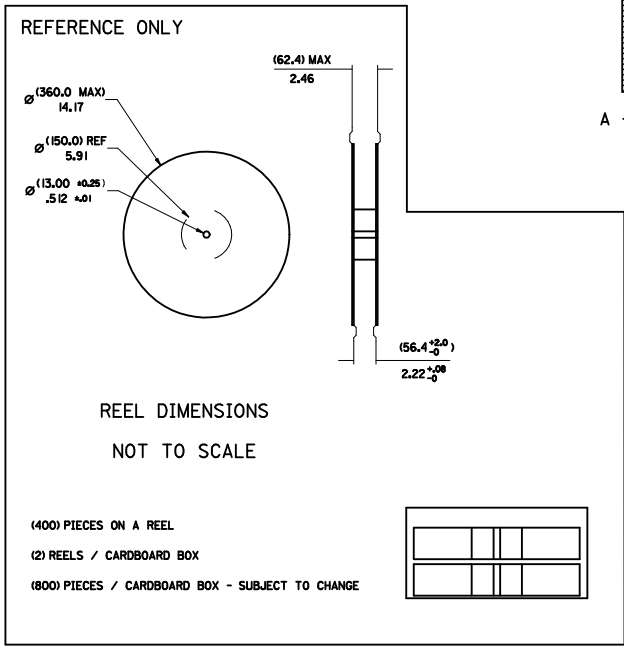
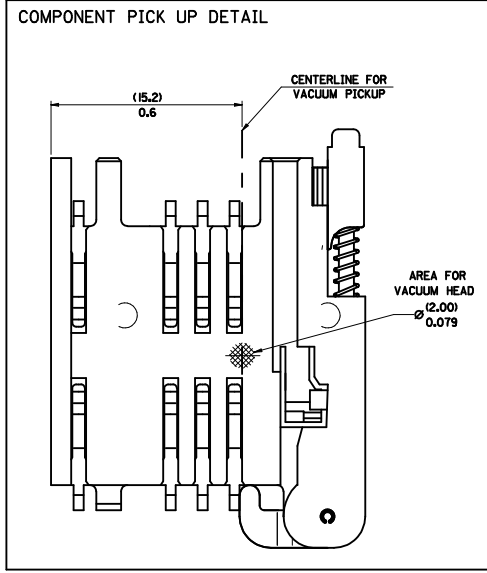
SEE SHEET 1 EC NO: 1922017-0662 DRW: KOBRIEN01 2017/01/10 CHKD: APPR: STGRIFFIN 2017/03/24	QUALITY SYMBOLS	DESCRIPTION
	▽=0 ▽=0	
REV	DESCRIPTION	

GENERAL TOLERANCES (UNLESS SPECIFIED)	mm	INCH
	4 PLACES ± ---	± ---
DRAFT WHERE APPLICABLE MUST REMAIN WITHIN DIMENSIONS	3 PLACES ± ---	± ---
	2 PLACES ± 0.05	± ---
	1 PLACE ± 0.1	± ---
	ANGULAR ± 2 °	

DIMENSION STYLE MM ONLY	
DRAWN BY RFORREY	DATE 2006/11/27
CHECKED BY FDUGGAN	DATE 2006/11/27
APPROVED BY EFOLAN	DATE 2006/11/27
MATERIAL NO. 912283007	
SIZE A3	THIS DRAWING CONTAINS INFORMATION THAT IS PROPRIETARY TO MOLEX INCORPORATED AND SHOULD NOT BE USED WITHOUT WRITTEN PERMISSION

SCALE 5:1	DESIGN UNITS METRIC	THIRD ANGLE PROJECTION
TITLE SIM CONNECTOR ASSY		
MOLEX MOLEX INCORPORATED		SHEET NO. 5 OF 5
DOCUMENT NO. SD-91228-001		

PART NO	DESCRIPTION	TYPE OF REEL
91228-0001 & 91228-3001	SIM CONNECTOR WITHOUT PEGS	CARDBOARD
91228-0002 & 91228-3002	SIM CONNECTOR WITH PEGS	CARDBOARD
91228-0012 & 91228-3012	SIM CONNECTOR WITH PEGS	CARDBOARD
91228-0007 & 91228-3007	SIM CONNECTOR WITH PEGS	CARDBOARD
91228-3019	SIM CONNECTOR WITHOUT PEGS	PLASTIC



- NOTES:
- 1) MATERIAL :  
CARRIER TAPE : VOLUME CONDUCTIVE POLYSTYRENE, 0.40 REF THICK, BLACK  
COVER TAPE : COLD SEAL POLYESTER, 0.08 REF THICK TRANSPARENT
  - 2) PITCH TOLERANCE OVER ANY 10 PITCHES + 0.2 MM
  - 3) REEL FORCE OF THE COVER TAPE IS 0.1 N TO 1.0 N  
AT A MAXIMUM REEL SPEED OF 300 MM/MIN + 10%
  - 4) PACKAGING SPEC, PK-91228-002
  - 5) REFERENCE TO IEC 286-3 EXCEPT WHERE NOTED

ADD REEL OPTION	2011/08/31	2011/09/01	2011/10/13
LEC NO: E2012-0058	DRWN:SDSHEA	CHKD:SMCGREY	APPR:EFOLAN
DESCRIPTION			

QUALITY SYMBOLS	GENERAL TOLERANCES (UNLESS SPECIFIED)	
	mm	INCH
▽=0	4 PLACES ±	---
▽=0	3 PLACES ±	---
	2 PLACES ±	0.10
	1 PLACE ±	0.20
	ANGULAR ± 2 °	

DIMENSION STYLE		SCALE	DESIGN UNITS
MM/IN	1:1	METRIC	THIRD ANGLE PROJECTION

DRAWN BY DMAHER		DATE 2006/12/07	TITLE BLISTER PACKAGING SIM CARD PCB HOUSING
CHECKED BY FDUGGAN		DATE 2006/12/07	<b>MOLEX INCORPORATED</b> DOCUMENT NO. SDA-91228-9001 SHEET NO. 1 OF 4
APPROVED BY EFOLAN		DATE 2006/12/07	

