

PLEASE CHECK WWW.MOLEX.COM FOR LATEST PART INFORMATION

Part Number: [08-70-1039](#)
Status: **Active**
Overview: [SPOX™ BMI](#)
Description: 2.50mm Pitch SPOX™ Wire-to-Board Crimp Terminal, Reel

Documents:

[3D Model](#) [Product Specification PS-5264-001 \(PDF\)](#)
[Drawing \(PDF\)](#) [RoHS Certificate of Compliance \(PDF\)](#)

General

Product Family Crimp Terminals
 Series [5263](#)
 Application Signal
 Crimp Quality Equipment Yes
 Overview [SPOX™ BMI](#)
 Packaging Alternative [08-70-1040 \(Loose\)](#)
 Product Name SPOX™
 UPC 800753534902

Physical

Gender Female
 Material - Metal Phosphor Bronze
 Material - Plating Mating Tin
 Material - Plating Termination Tin
 Net Weight 43.200/mg
 Packaging Type Reel
 Plating min - Mating 0.889µm
 Plating min - Termination 0.914µm
 Termination Interface: Style Crimp or Compression
 Wire Insulation Diameter 1.90mm max.
 Wire Size AWG 22, 24, 26, 28
 Wire Size mm² N/A

Material Info

Old Part Number 5263PBT

Reference - Drawing Numbers

Product Specification PS-5264-001, RPS-5263-001, RPS-5264-002,
 RPS-5264-003, RPS-5264-004, RPS-5264-005,
 RPS-5264-006
 Sales Drawing SD-5263-003

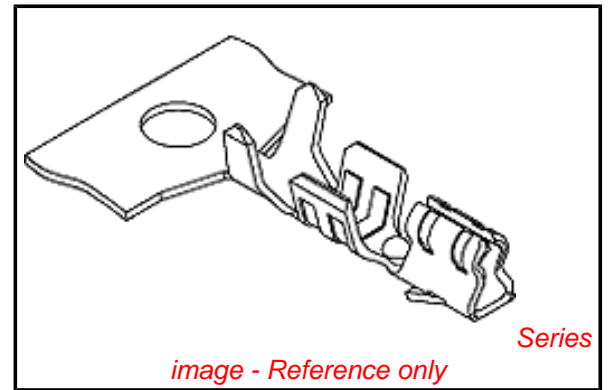


image - Reference only

EU RoHS

**ELV and RoHS
 Compliant**

REACH SVHC

**Contains SVHC: No
 Low-Halogen Status
 Low-Halogen**

China RoHS



**Need more information on product
 environmental compliance?**

Email productcompliance@molex.com
 For a multiple part number RoHS Certificate of
 Compliance, [click here](#)

Please visit the [Contact Us](#) section for any
 non-product compliance questions.

Search Parts in this Series

[5263Series](#)

Use With

[5264](#)

Application Tooling | [FAQ](#)

*Tooling specifications and manuals are
 found by selecting the products below.
 Crimp Height Specifications are then
 contained in the Application Tooling
 Specification document.*

Global

Description	Product #
Manual Extraction Tool	0638131400
FineAdjust™ Applicator for 2.50mm Pitch Male Crimp Terminal	0639023100
T2 Terminator for 2.50mm Pitch Male Crimp Terminal	0639123100
Hand Crimp Tool for Crimp Terminals	0638115200

Japan

Description

Product #

Applicator for M211A 0011260117

Bench Press, 22-28

AWG Wire

This document was generated on 02/11/2013

PLEASE CHECK WWW.MOLEX.COM FOR LATEST PART INFORMATION