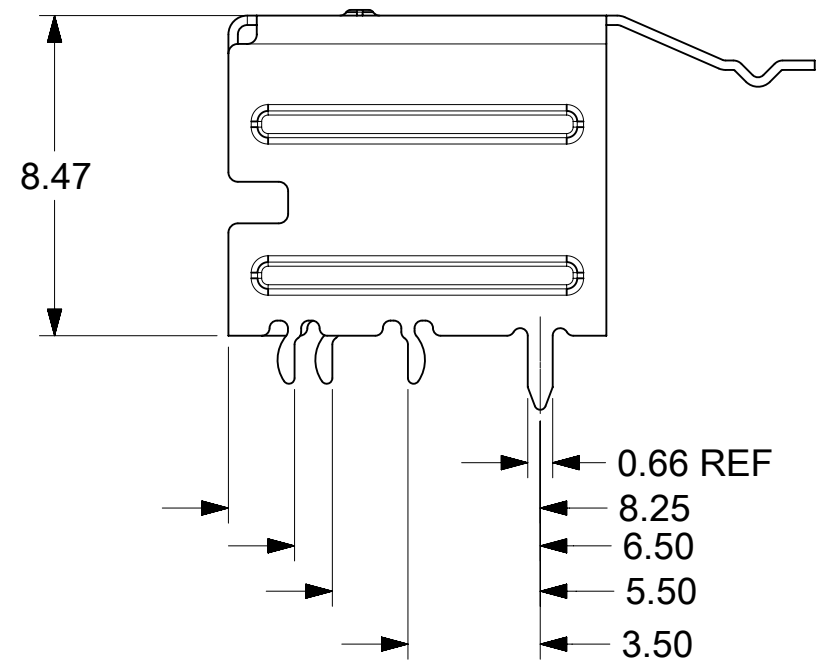
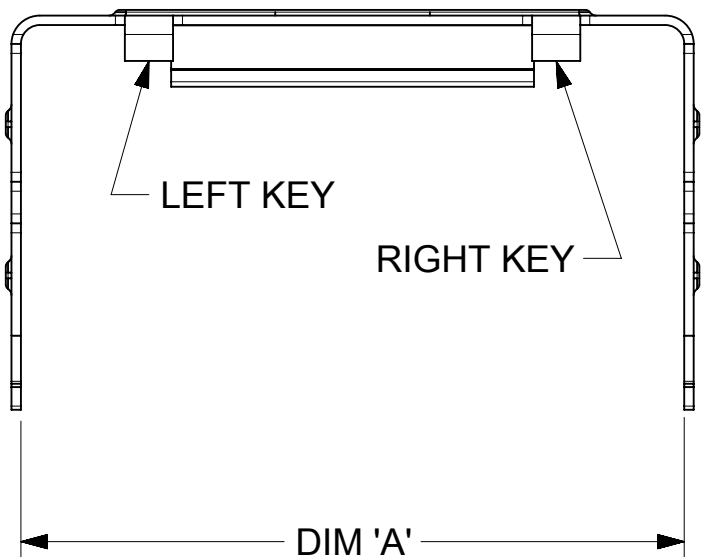
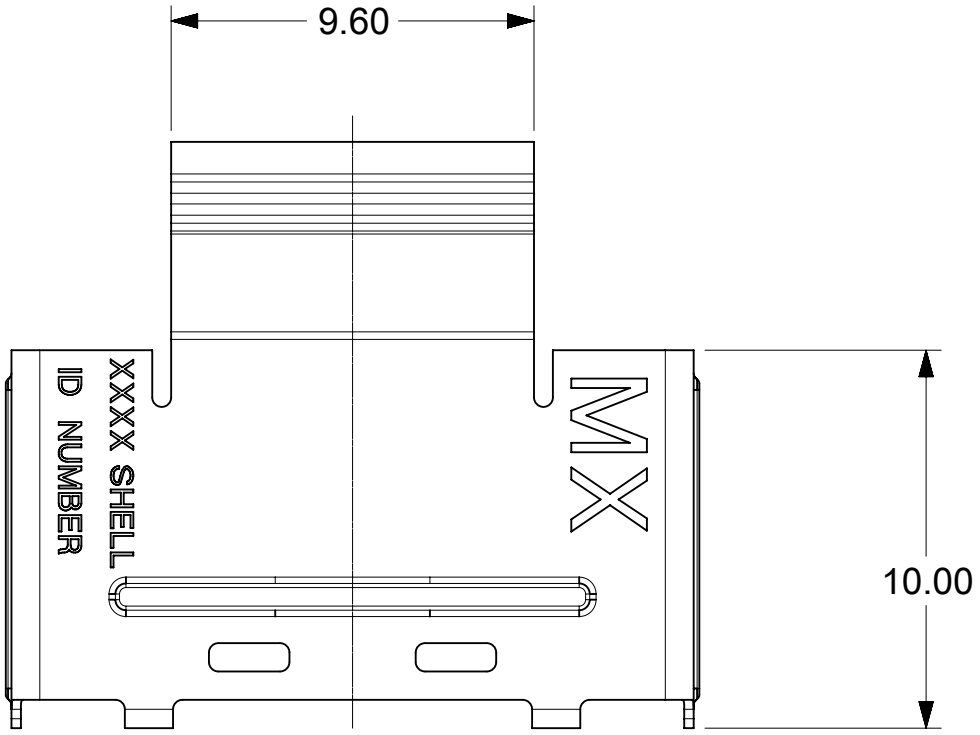
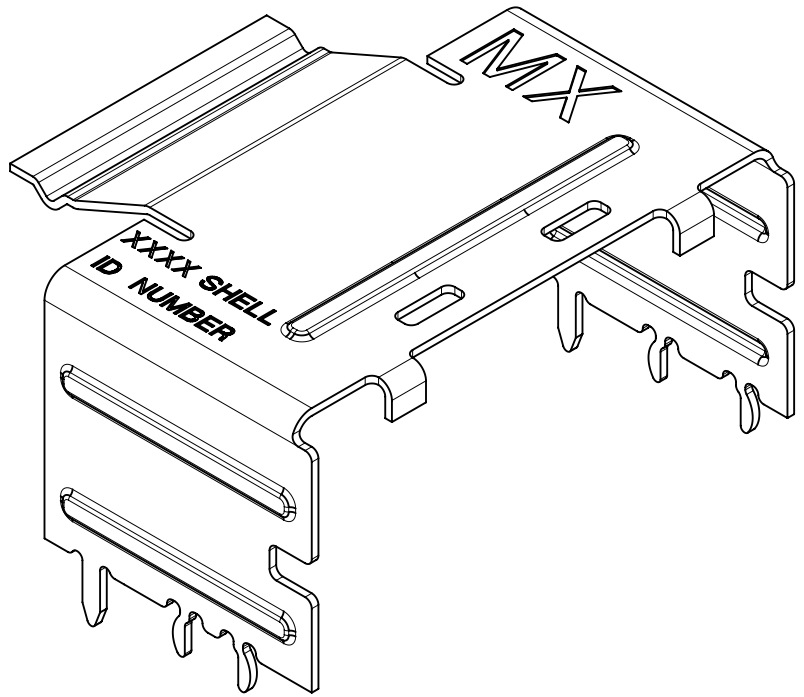


RETENTION FIT SHELL



ITEM NUMBER	CIRCUIT SIZE	DIM 'A'	KEY
76010-5000	26	13.55	LEFT
76010-5010	26	13.55	RIGHT
76010-5020	26	13.55	DUAL
76010-5100	36	17.55	LEFT
76010-5110	36	17.55	RIGHT
76010-5120	36	17.55	DUAL
76010-5030	26	13.55	UNIVERSAL
76010-5130	36	17.55	UNIVERSAL
76010-5200	50	23.15	LEFT
76010-5210	50	23.15	RIGHT
76010-5220	50	23.15	DUAL
76010-5300	68	30.35	LEFT
76010-5310	68	30.35	RIGHT
76010-5320	68	30.35	DUAL
76010-5230	50	23.15	UNIVERSAL
76010-5330	68	30.35	UNIVERSAL

UNIVERSAL = NO KEY

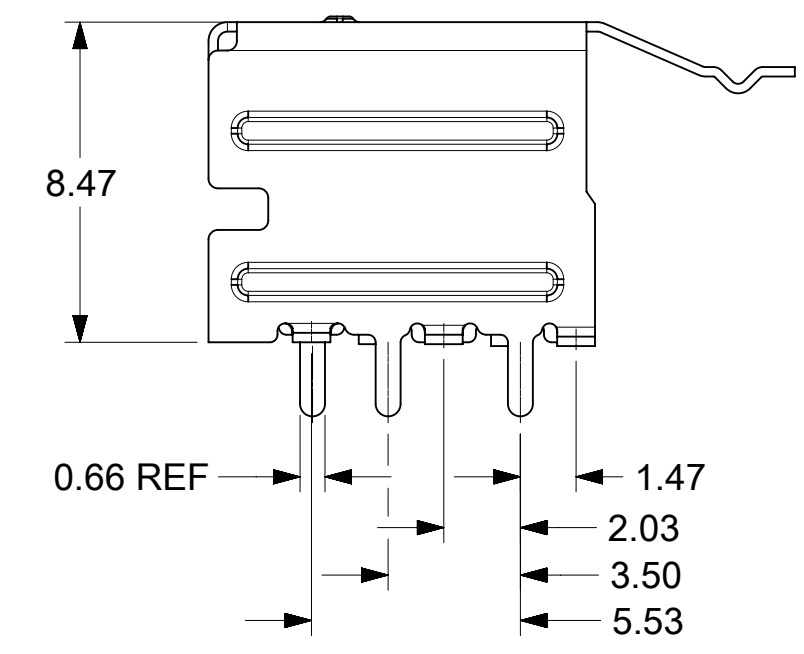
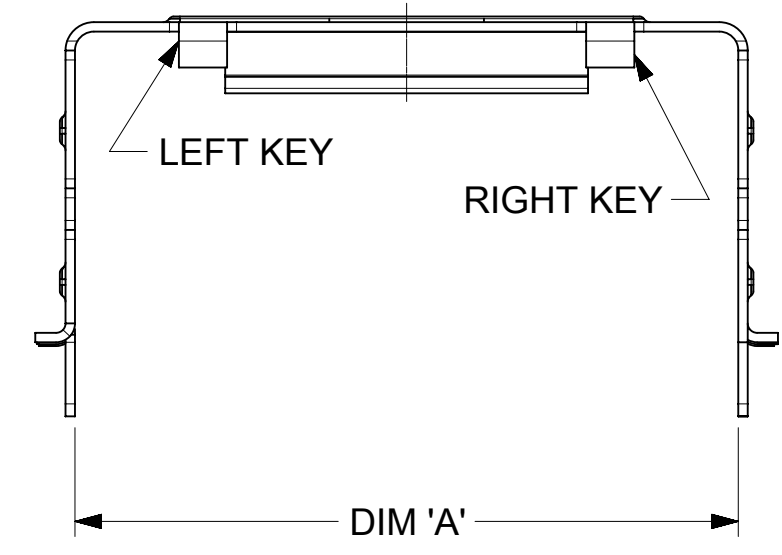
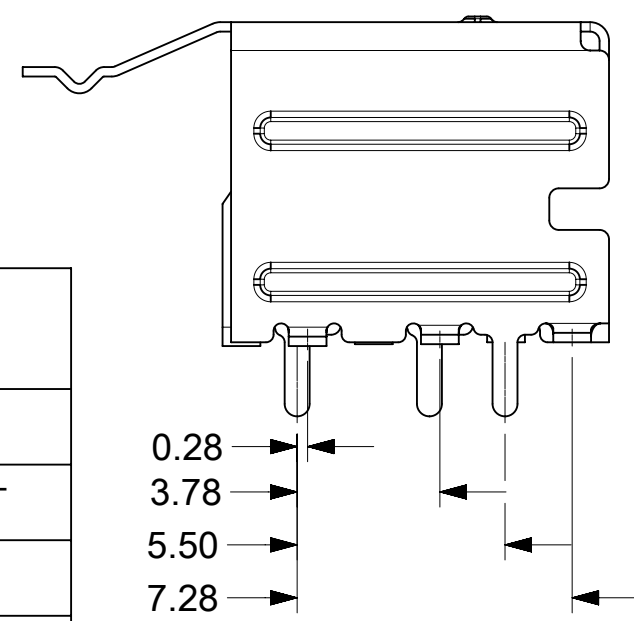
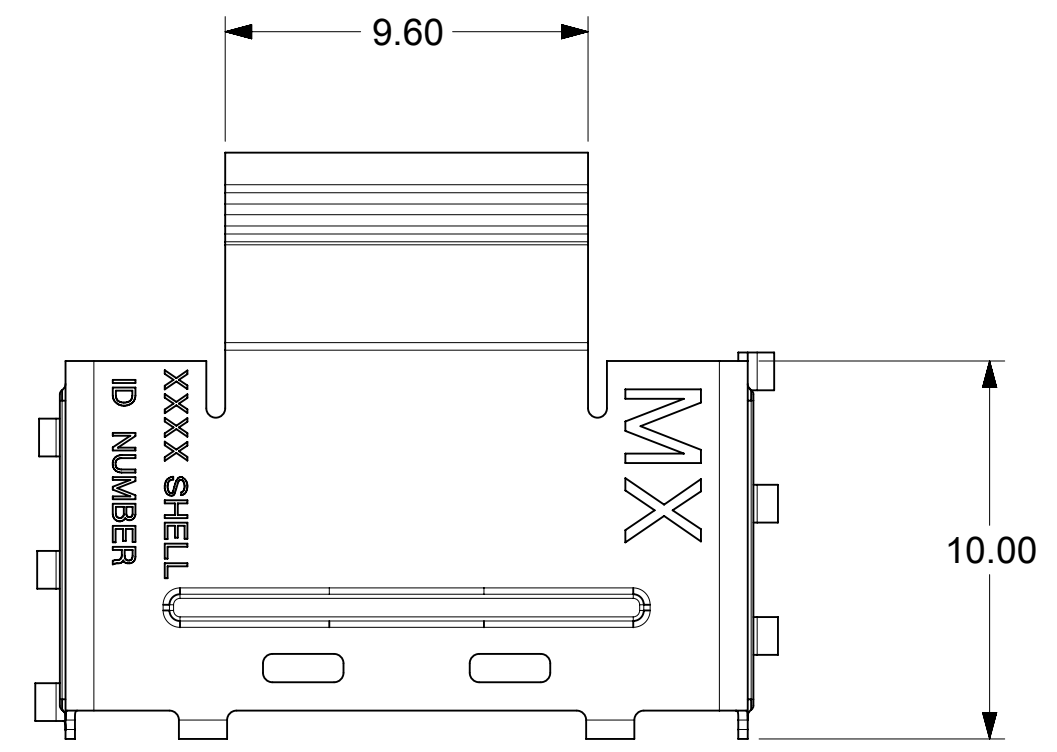
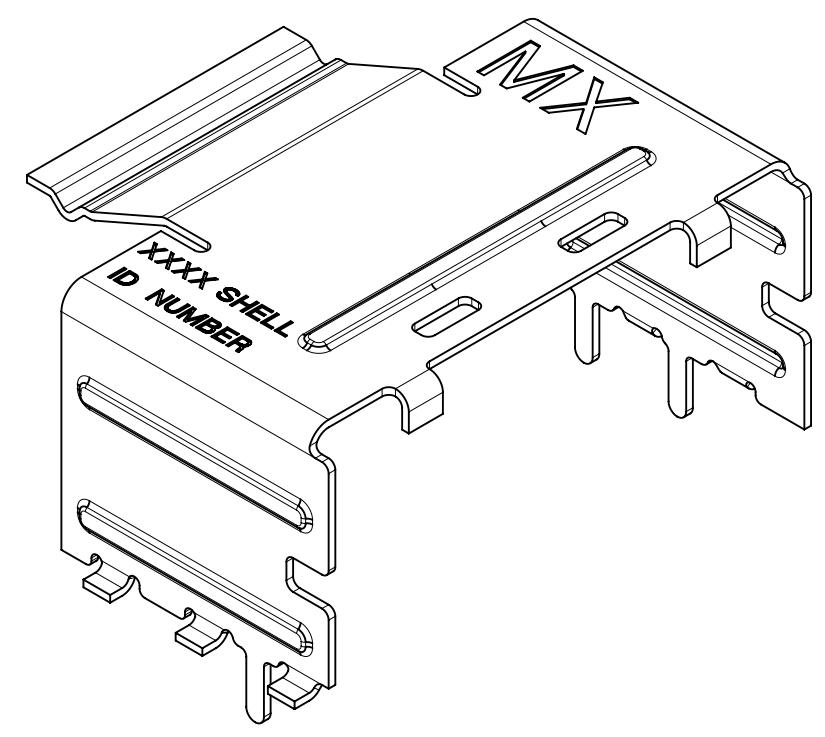
NOTES:

1. MATERIAL: SILVER NICKEL, THICKNESS: 0.250/0.254
2. TO BE USED WITH CONNECTOR SERIES 75586, CABLE SERIES 79575/74563/79576/74573/79536/74562/74569/74586
3. PACKAGED PER PACKAGING SPECIFICATION PK-76010-001
4. DATE CODE WILL APPEAR ON SHIPPING CARTON ONLY

iPass™ IS A TRADEMARK OF MOLEX

THIS DRAWING CONTAINS INFORMATION THAT IS PROPRIETARY TO MOLEX ELECTRONIC TECHNOLOGIES, LLC AND SHOULD NOT BE USED WITHOUT WRITTEN PERMISSION											
DIMENSION UNITS		SCALE		CURRENT REV DESC: OBSOLETE PART NUMBER							
MM		5:1									
GENERAL TOLERANCES (UNLESS SPECIFIED)				EC NO: 632260		DRWN: AKUMAR19		2020/02/07		I-PASS SHELL RIGHT ANGLE INTERNAL CABLE PRODUCT CUSTOMER DRAWING	
				CHK'D: GGA		2020/02/28					
4 PLACES ±				APPR: GGA		2020/02/28		DOCUMENT NUMBER		DOC TYPE DOC PART REVISION	
3 PLACES ± 0.13				INITIAL REVISION:		DRWN: JLSWENSON		2006/02/16		SD-76010-001	
2 PLACES ± 0.13				APPR: MBANAKIS		2006/02/16		PSD		001 D1	
1 PLACE ± 0.25				DRAFT WHERE APPLICABLE MUST REMAIN WITHIN DIMENSIONS		THIRD ANGLE PROJECTION		DRAWING		SERIES	
0 PLACES ±				ANGULAR TOL ± 0.5°		C-SIZE		76010		MATERIAL NUMBER	
								SEE TABLE		CUSTOMER	
								GENERAL MARKET		SHEET NUMBER	
										1 OF 7	

SMT SHELL



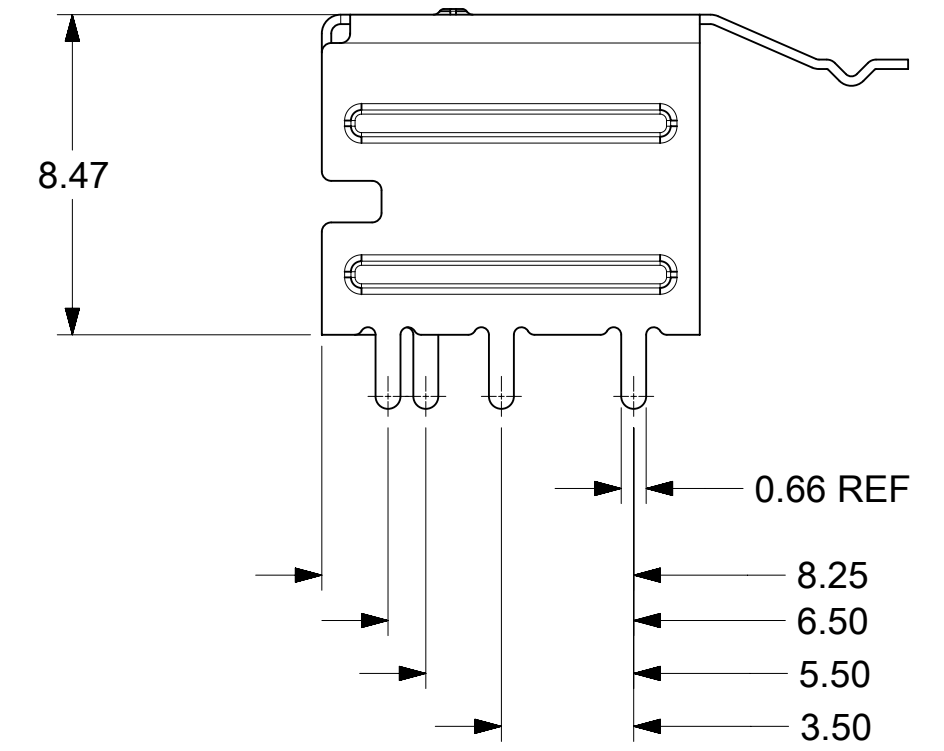
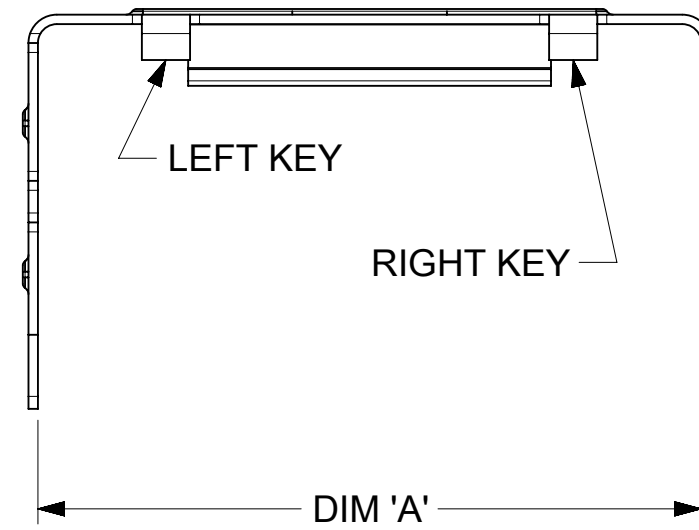
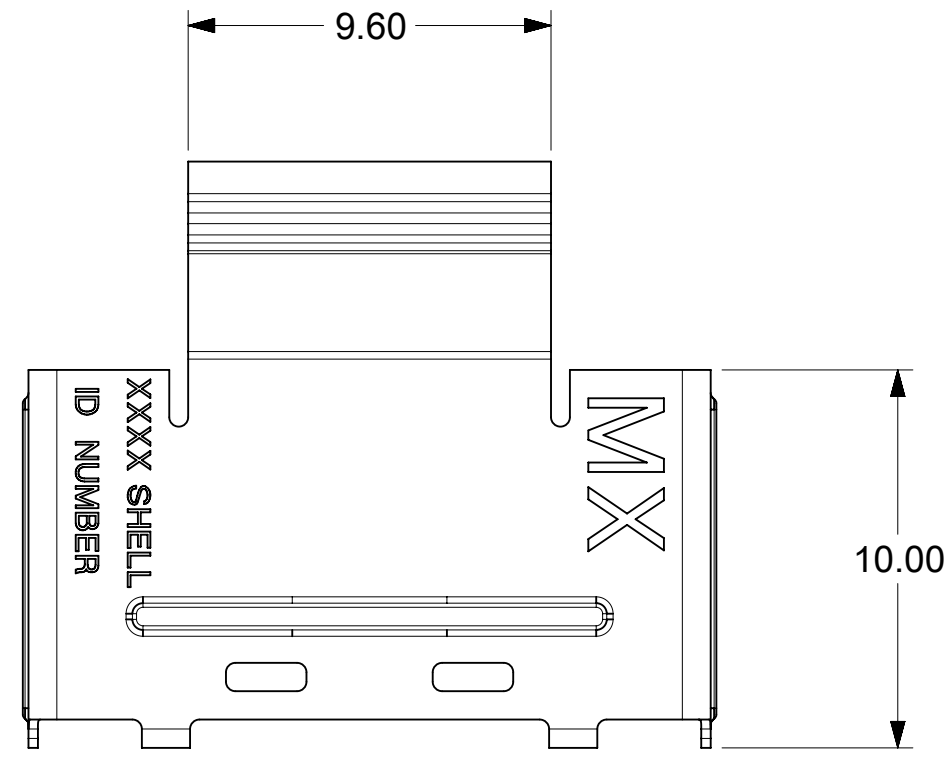
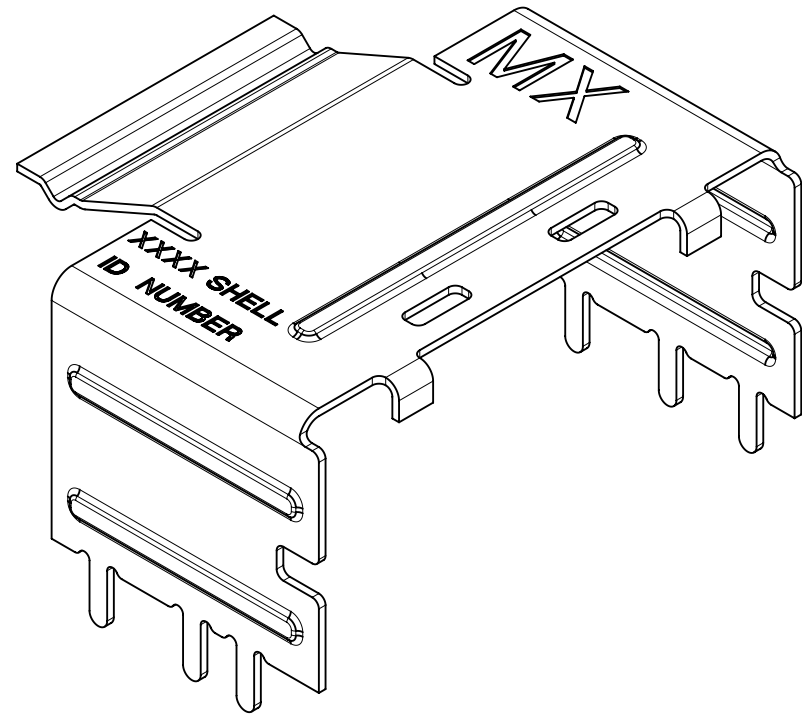
ITEM NUMBER	CIRCUIT SIZE	DIM 'A'	KEY
76010-5001	26	13.55	LEFT
76010-5011	26	13.55	RIGHT
76010-5021	26	13.55	DUAL
76010-5101	36	17.55	LEFT
76010-5111	36	17.55	RIGHT
76010-5121	36	17.55	DUAL
76010-5131	36	17.55	UNIVERSAL
76010-5201	50	23.15	LEFT
76010-5211	50	23.15	RIGHT
76010-5221	50	23.15	DUAL
76010-5301	68	30.35	LEFT
76010-5311	68	30.35	RIGHT
76010-5321	68	30.35	DUAL
76010-5231	50	23.15	UNIVERSAL
76010-5331	68	30.35	UNIVERSAL

UNIVERSAL = NO KEY

iPass™ IS A TRADEMARK OF MOLEX

THIS DRAWING CONTAINS INFORMATION THAT IS PROPRIETARY TO MOLEX ELECTRONIC TECHNOLOGIES, LLC AND SHOULD NOT BE USED WITHOUT WRITTEN PERMISSION											
DIMENSION UNITS MM		SCALE 5:1		CURRENT REV DESC: OBSOLETE PART NUMBER						molex	
GENERAL TOLERANCES (UNLESS SPECIFIED)				EC NO: 632260							
		MM		INCH		DRWN: AKUMAR19		2020/02/07		I-PASS SHELL RIGHT ANGLE INTERNAL CABLE	
4 PLACES		±		±		CHK'D: GGA		2020/02/28			
3 PLACES		± 0.13		±		APPR: GGA		2020/02/28		PRODUCT CUSTOMER DRAWING	
2 PLACES		± 0.13		±		INITIAL REVISION:					
1 PLACE		± 0.25		±		DRWN: JLSWENSON		2006/02/16		DOCUMENT NUMBER	
0 PLACES		±		±		APPR: MBANAKIS		2006/02/16		SD-76010-001	
ANGULAR TOL		± 0.5 °				THIRD ANGLE PROJECTION		DRAWING		DOC TYPE	
DRAFT WHERE APPLICABLE MUST REMAIN WITHIN DIMENSIONS						C-SIZE		SERIES		DOC PART	
						76010		MATERIAL NUMBER		REVISION	
								CUSTOMER		SHEET NUMBER	
								GENERAL MARKET		2 OF 7	

THROUGH HOLE SHELL (PART NUMBERS ON SHEET 4)



iPass™ IS A TRADEMARK OF MOLEX

THIS DRAWING CONTAINS INFORMATION THAT IS PROPRIETARY TO MOLEX ELECTRONIC TECHNOLOGIES, LLC AND SHOULD NOT BE USED WITHOUT WRITTEN PERMISSION

DIMENSION UNITS		SCALE		CURRENT REV DESC: OBSOLETE PART NUMBER			
MM		5:1					
GENERAL TOLERANCES (UNLESS SPECIFIED)				EC NO: 632260			
		MM	INCH	DRWN: AKUMAR19		2020/02/07	
4 PLACES		±	±	CHK'D: GGA		2020/02/28	
3 PLACES		±	0.13	APPR: GGA		2020/02/28	
2 PLACES		±	0.13	INITIAL REVISION:			
1 PLACE		±	0.25	DRWN: JLSWENSON		2006/02/16	
0 PLACES		±	±	APPR: MBANAKIS		2006/02/16	
ANGULAR TOL		± 0.5 °		THIRD ANGLE PROJECTION			
DRAFT WHERE APPLICABLE MUST REMAIN WITHIN DIMENSIONS				DRAWING		SERIES	
				C-SIZE		76010	
DOCUMENT NUMBER				DOC TYPE		DOC PART	
SD-76010-001				PSD		001	
MATERIAL NUMBER				CUSTOMER		SHEET NUMBER	
SEE TABLE				GENERAL MARKET		3 OF 7	

molex

I-PASS SHELL
RIGHT ANGLE INTERNAL CABLE

PRODUCT CUSTOMER DRAWING

DOCUMENT NUMBER: SD-76010-001
DOC TYPE: PSD
DOC PART: 001
REVISION: D1

DOCUMENT STATUS	P1	RELEASE DATE	2020/02/28	02:41:35
-----------------	----	--------------	------------	----------

THROUGH HOLE SHELL (PART NUMBERS)

ITEM NUMBER	CIRCUIT SIZE	DIM 'A'	DIM 'B'	KEY
76010-5002	26	13.55	1.96	LEFT
76010-5012	26	13.55	1.96	RIGHT
76010-5022	26	13.55	1.96	DUAL
76010-5102	36	17.55	1.96	LEFT
76010-5112	36	17.55	1.96	RIGHT
76010-5122	36	17.55	1.96	DUAL
76010-5103	36	17.55	2.79	LEFT
76010-5113	36	17.55	2.79	RIGHT
76010-5123	36	17.55	2.79	DUAL
76010-5104	36	17.55	3.18	LEFT
76010-5114	36	17.55	3.18	RIGHT
76010-5124	36	17.55	3.18	DUAL
76010-5134	36	17.55	3.18	UNIVERSAL
76010-5141	36	17.55	3.56	LEFT
76010-5151	36	17.55	3.56	RIGHT
76010-5161	36	17.55	3.56	DUAL
76010-5171	36	17.55	3.56	UNIVERSAL
76010-5202	50	23.15	1.96	LEFT
76010-5212	50	23.15	1.96	RIGHT
76010-5222	50	23.15	1.96	DUAL
76010-5302	68	30.35	1.96	LEFT
76010-5312	68	30.35	1.96	RIGHT
76010-5322	68	30.35	1.96	DUAL
76010-5232	50	23.15	1.96	UNIVERSAL
76010-5332	68	30.35	1.96	UNIVERSAL

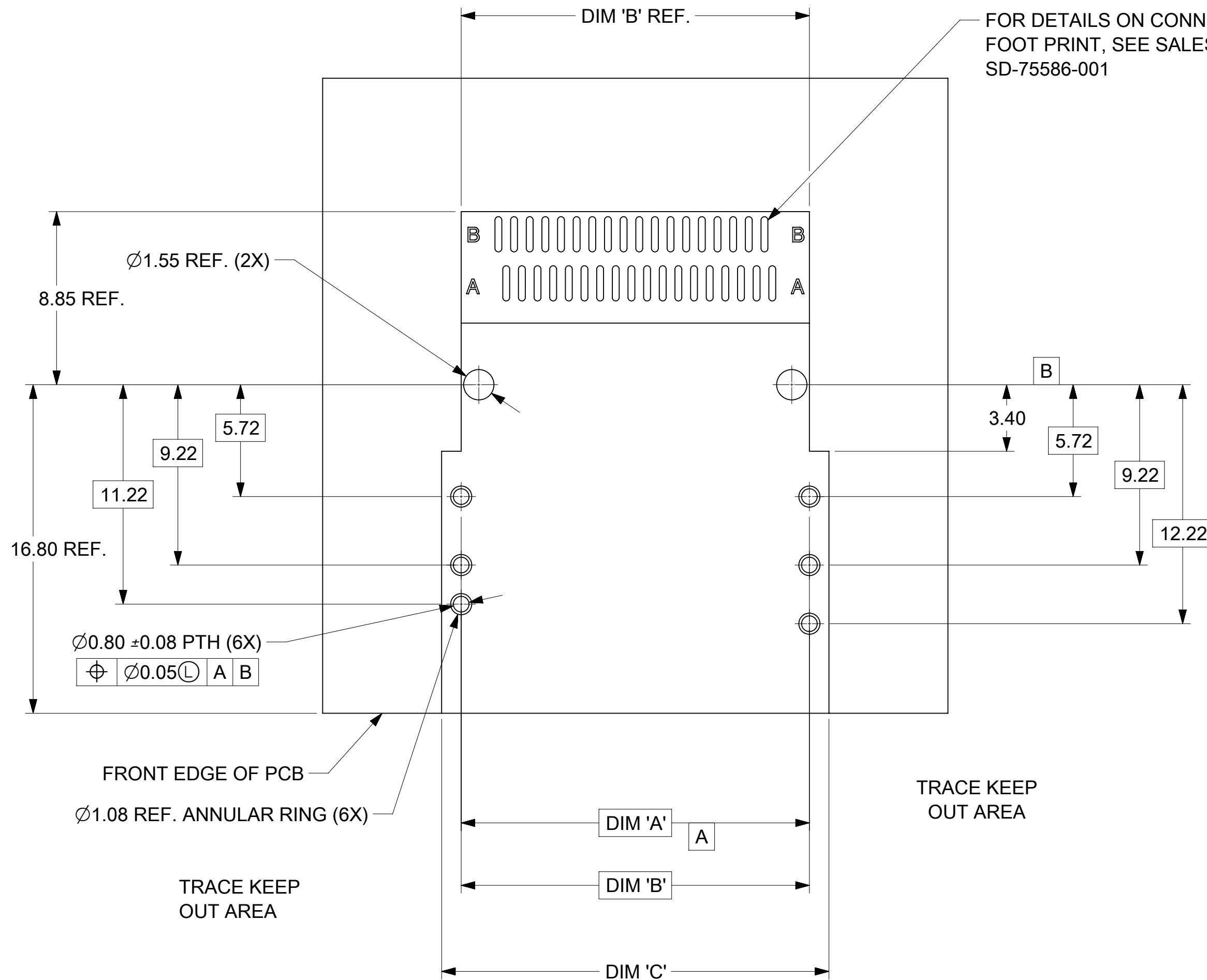
ITEM NUMBER	CIRCUIT SIZE	DIM 'A'	DIM 'B'	KEY
76010-5003	26	13.55	2.79	LEFT
76010-5013	26	13.55	2.79	RIGHT
76010-5023	26	13.55	2.79	DUAL
76010-5033	26	13.55	2.79	UNIVERSAL
76010-5004	26	13.55	3.18	LEFT
76010-5014	26	13.55	3.18	RIGHT
76010-5024	26	13.55	3.18	DUAL
76010-5034	26	13.55	3.18	UNIVERSAL
76010-5203	50	23.15	2.79	LEFT
76010-5213	50	23.15	2.79	RIGHT
76010-5223	50	23.15	2.79	DUAL
76010-5233	50	23.15	2.79	UNIVERSAL
76010-5204	50	23.15	3.18	LEFT
76010-5214	50	23.15	3.18	RIGHT
76010-5224	50	23.15	3.18	DUAL
76010-5234	50	23.15	3.18	UNIVERSAL
76010-5303	68	30.35	2.79	LEFT
76010-5313	68	30.35	2.79	RIGHT
76010-5323	68	30.35	2.79	DUAL
76010-5333	68	30.35	2.79	UNIVERSAL
76010-5304	68	30.35	3.18	LEFT
76010-5314	68	30.35	3.18	RIGHT
76010-5324	68	30.35	3.18	DUAL
76010-5334	68	30.35	3.18	UNIVERSAL

UNIVERSAL = NO KEY

iPass™ IS A TRADEMARK OF MOLEX

THIS DRAWING CONTAINS INFORMATION THAT IS PROPRIETARY TO MOLEX ELECTRONIC TECHNOLOGIES, LLC AND SHOULD NOT BE USED WITHOUT WRITTEN PERMISSION									
DIMENSION UNITS MM		SCALE 1:1		CURRENT REV DESC: OBSOLETE PART NUMBER				molex	
GENERAL TOLERANCES (UNLESS SPECIFIED)				EC NO: 632260					
4 PLACES ±		MM		INCH		DRWN: AKUMAR19		2020/02/07	
3 PLACES ±		0.13		±		CHK'D: GGA		2020/02/28	
2 PLACES ±		0.13		±		APPR: GGA		2020/02/28	
1 PLACE ±		0.25		±		INITIAL REVISION:			
0 PLACES ±						DRWN: JLSWENSON		2006/02/16	
ANGULAR TOL ±		0.5 °				APPR: MBANAKIS		2006/02/16	
DRAFT WHERE APPLICABLE MUST REMAIN WITHIN DIMENSIONS				THIRD ANGLE PROJECTION		DRAWING		SERIES	
						C-SIZE		76010	
DOCUMENT NUMBER		DOC TYPE		DOC PART		REVISION			
SD-76010-001		PSD		001		D1			
MATERIAL NUMBER		CUSTOMER		SHEET NUMBER					
SEE TABLE		GENERAL MARKET		4 OF 7					

RIGHT ANGLE RETENTION FIT AND THROUGH HOLE SHELL PCB FOOT PRINT



FOR DETAILS ON CONNECTOR
FOOT PRINT, SEE SALES DRAWING
SD-75586-001

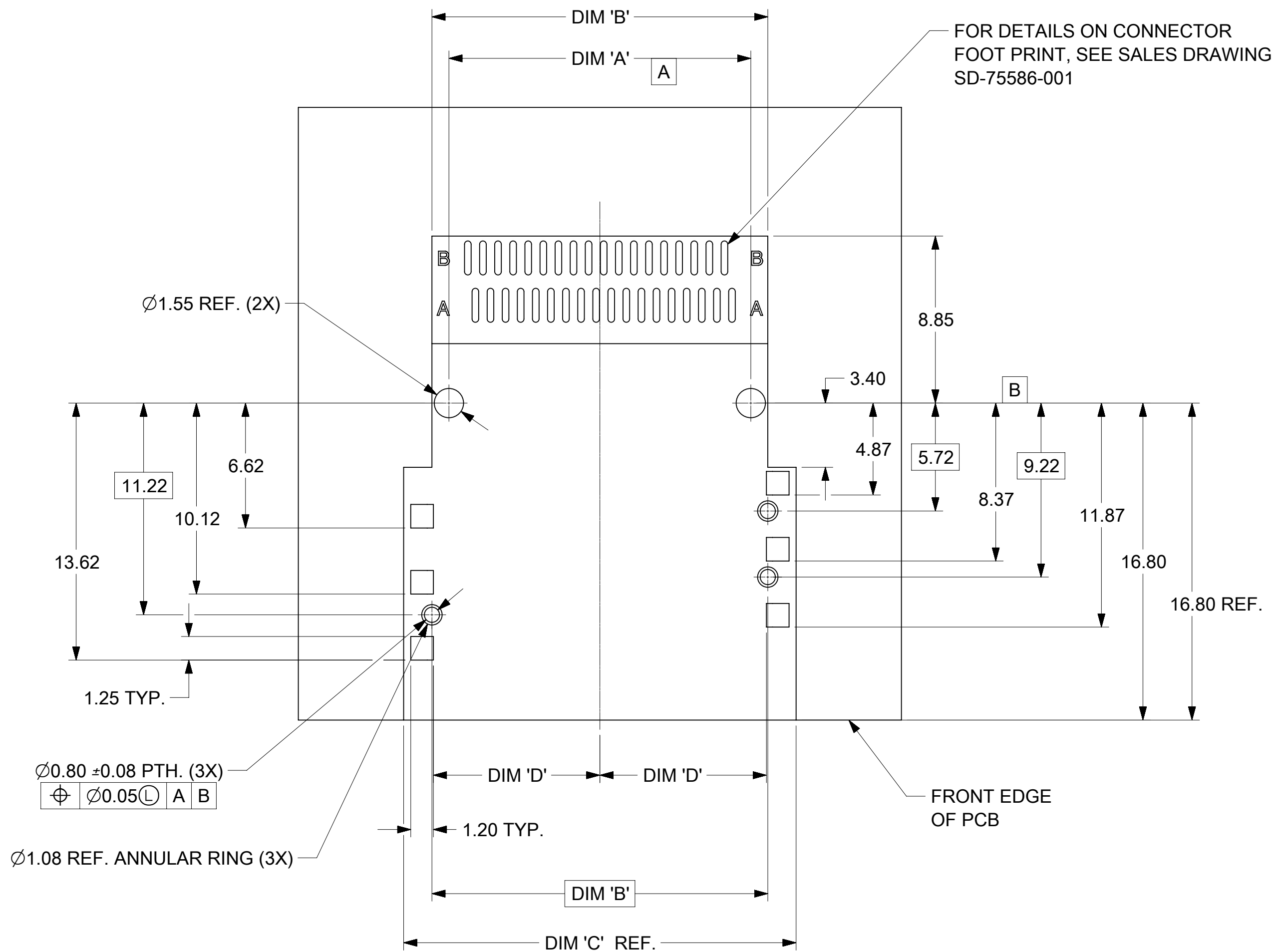
CIRCUIT SIZE	CONNECTOR PEG TO PEG		
	DIM 'A'	DIM 'B'	DIM 'C'
26	12.00	13.80	16.80
36	16.00	17.80	20.80
50	21.60	23.40	25.40
68	28.80	30.60	32.60

36 CIRCUIT SHOWN

iPass™ IS A TRADEMARK OF MOLEX

THIS DRAWING CONTAINS INFORMATION THAT IS PROPRIETARY TO MOLEX ELECTRONIC TECHNOLOGIES, LLC AND SHOULD NOT BE USED WITHOUT WRITTEN PERMISSION										
DIMENSION UNITS MM		SCALE 5:1		CURRENT REV DESC: OBSOLETE PART NUMBER				molex		
GENERAL TOLERANCES (UNLESS SPECIFIED)				EC NO: 632260						
4 PLACES ±		MM INCH		DRWN: AKUMAR19		2020/02/07		I-PASS SHELL RIGHT ANGLE INTERNAL CABLE		
3 PLACES ± 0.13				CHK'D: GGA		2020/02/28				
2 PLACES ± 0.13				APPR: GGA		2020/02/28		PRODUCT CUSTOMER DRAWING		
1 PLACE ± 0.25				INITIAL REVISION:						
0 PLACES ±				DRWN: JLSWENSON		2006/02/16		DOCUMENT NUMBER SD-76010-001		
ANGULAR TOL ± 0.5°				APPR: MBANAKIS		2006/02/16				DOC TYPE PSD
DRAFT WHERE APPLICABLE MUST REMAIN WITHIN DIMENSIONS		THIRD ANGLE PROJECTION		DRAWING C-SIZE	SERIES 76010	MATERIAL NUMBER SEE TABLE		CUSTOMER GENERAL MARKET		SHEET NUMBER 5 OF 7

RIGHT ANGLE SMT SHELL PCB FOOT PRINT



FOR DETAILS ON CONNECTOR
FOOT PRINT, SEE SALES DRAWING
SD-75586-001

CIRCUIT SIZE	CONNECTOR PEG TO PEG			
	DIM 'A'	DIM 'B'	DIM 'C'	DIM 'D'
26	12.00	13.80	16.80	6.825
36	16.00	17.80	20.80	8.825
50	21.60	23.40	26.40	11.625
68	28.80	30.60	33.60	15.225

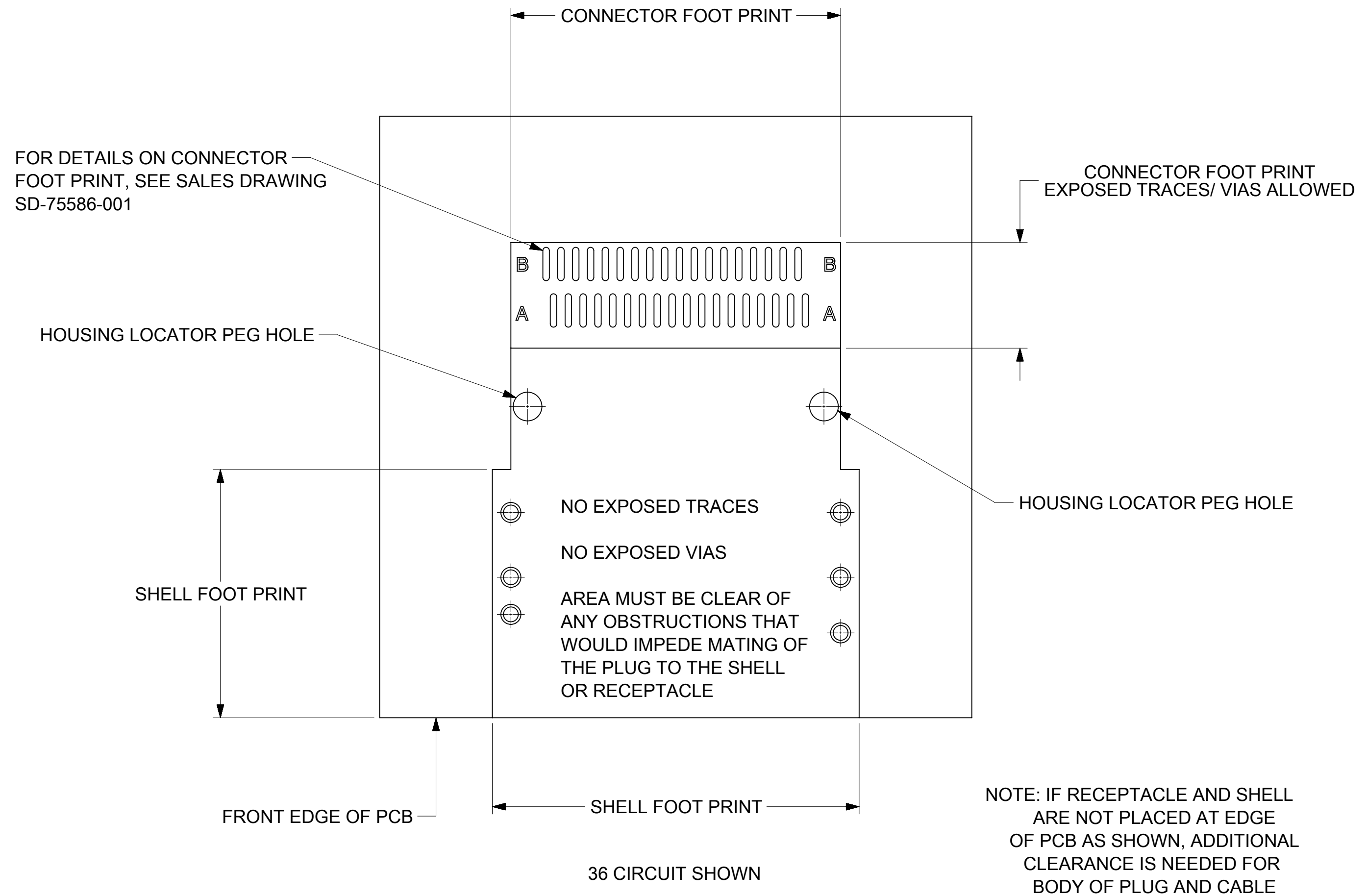
36 CIRCUIT SHOWN

iPass™ IS A TRADEMARK OF MOLEX

THIS DRAWING CONTAINS INFORMATION THAT IS PROPRIETARY TO MOLEX ELECTRONIC TECHNOLOGIES, LLC AND SHOULD NOT BE USED WITHOUT WRITTEN PERMISSION											
DIMENSION UNITS MM		SCALE 5:1		CURRENT REV DESC: OBSOLETE PART NUMBER				molex		I-PASS SHELL RIGHT ANGLE INTERNAL CABLE	
GENERAL TOLERANCES (UNLESS SPECIFIED)				EC NO: 632260							
4 PLACES ±		±		DRWN: AKUMAR19				2020/02/07		DOCUMENT NUMBER	
3 PLACES ±		0.13 ±		CHK'D: GGA				2020/02/28		DOC TYPE	
2 PLACES ±		0.13 ±		APPR: GGA				2020/02/28		DOC PART	
1 PLACE ±		0.25 ±		INITIAL REVISION:				2006/02/16		REVISION	
0 PLACES ±		±		DRWN: JLSWENSON				2006/02/16		SD-76010-001	
ANGULAR TOL ±		0.5 °		APPR: MBANAKIS				2006/02/16		PSD 001 D1	
DRAFT WHERE APPLICABLE MUST REMAIN WITHIN DIMENSIONS				THIRD ANGLE PROJECTION		DRAWING		SERIES		MATERIAL NUMBER	
				C-SIZE		76010		SEE TABLE		CUSTOMER	
								GENERAL MARKET		SHEET NUMBER	
										6 OF 7	

DOCUMENT STATUS	P1	RELEASE DATE	2020/02/28	02:41:35
-----------------	----	--------------	------------	----------

RIGHT ANGLE SHELL PCB FOOT PRINT DESCRIPTIONS



iPass™ IS A TRADEMARK OF MOLEX

THIS DRAWING CONTAINS INFORMATION THAT IS PROPRIETARY TO MOLEX ELECTRONIC TECHNOLOGIES, LLC AND SHOULD NOT BE USED WITHOUT WRITTEN PERMISSION																	
DIMENSION UNITS	SCALE	CURRENT REV DESC: OBSOLETE PART NUMBER			<h1 style="margin: 0;">molex</h1>												
MM	5:1																
GENERAL TOLERANCES (UNLESS SPECIFIED)					<p style="margin: 0;">I-PASS SHELL RIGHT ANGLE INTERNAL CABLE</p> <p style="margin: 0;">PRODUCT CUSTOMER DRAWING</p> <table border="1" style="width: 100%; border-collapse: collapse; font-size: x-small;"> <tr> <td style="width: 40%;">DOCUMENT NUMBER</td> <td style="width: 10%;">DOC TYPE</td> <td style="width: 10%;">DOC PART</td> <td style="width: 10%;">REVISION</td> </tr> <tr> <td style="text-align: center; font-weight: bold;">SD-76010-001</td> <td style="text-align: center;">PSD</td> <td style="text-align: center;">001</td> <td style="text-align: center; font-weight: bold;">D1</td> </tr> </table>					DOCUMENT NUMBER	DOC TYPE	DOC PART	REVISION	SD-76010-001	PSD	001	D1
DOCUMENT NUMBER	DOC TYPE	DOC PART	REVISION														
SD-76010-001	PSD	001	D1														
		EC NO: 632260															
		DRWN: AKUMAR19 2020/02/07															
		CHK'D: GGA 2020/02/28															
		APPR: GGA 2020/02/28															
		INITIAL REVISION:															
		DRWN: JLSWENSON 2006/02/16															
		APPR: MBANAKIS 2006/02/16															
		ANGULAR TOL ± 0.5°															
DRAFT WHERE APPLICABLE MUST REMAIN WITHIN DIMENSIONS		THIRD ANGLE PROJECTION	DRAWING	SERIES	MATERIAL NUMBER		CUSTOMER		SHEET NUMBER								
			C-SIZE	76010	SEE TABLE		GENERAL MARKET		7 OF 7								