




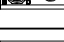
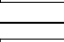

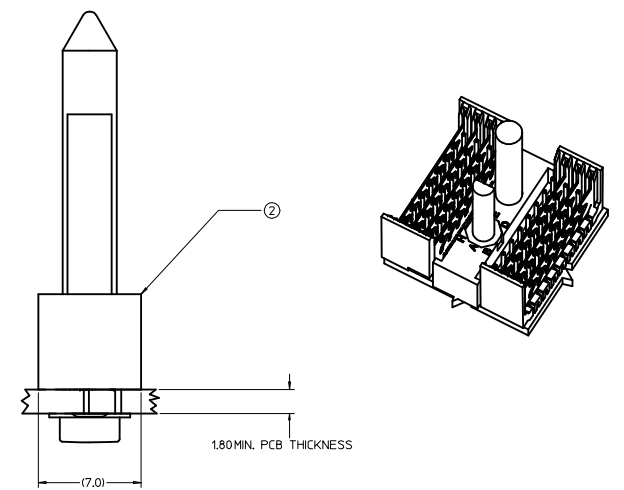
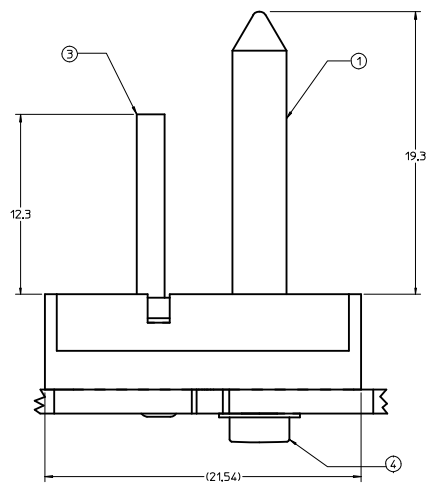
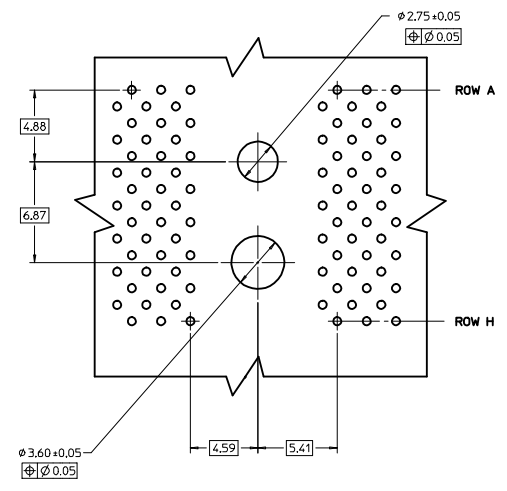
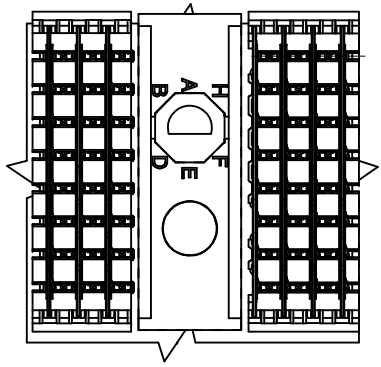


MATERIAL NUMBER PCB THICKNESS > 4.0 - 9.0	MATERIAL NUMBER PCB THICKNESS 1.8 - 4.0	BUSHING CLOCK POSITION
74959-8901	74959-8001	A 
74959-8902	74959-8002	B 
74959-8903	74959-8003	C 
74959-8904	74959-8004	D 
74959-8905	74959-8005	E 
74959-8906	74959-8006	F 
74959-8907	74959-8007	G 
74959-8908	74959-8008	H 



**BILL OF MATERIAL 74959-8\*\*\***

ITEM	DESCRIPTION	QTY.
1	GUIDE PIN	1
2	GUIDANCE & POLARIZING MODULE	1
3	KEYING PIN	1
4	SCREW & WASHER (PCB 1.8-4.0)	1

**BILL OF MATERIAL 74959-89\*\***

ITEM	DESCRIPTION	QTY.
1	GUIDE PIN	1
2	GUIDANCE & POLARIZING MODULE	1
3	KEYING PIN	1
4	SCREW & WASHER (PCB >4.0-9.0)	1

- NOTES:
1. MATERIAL: LIQUID CRYSTAL POLYMER (LCP).  
COLOR : BLACK
  2. THIS PART CONFORMS TO MOLEX SPECIFICATION  
PS-74031-999,
  3. PACKAGING : STANDARD BULK PACK, 100 PER BAG  
PACKAGE SCREW SEPARATELY.

EC NO: UDT2002-0414 DRWN: LMSLEY 2002/03/05 CHKD: MOWANG 2002/03/05 APPR: CBIXLER 2002/03/06 REV DESCRIPTION	QUALITY SYMBOLS	GENERAL TOLERANCES (UNLESS SPECIFIED)	SCALE 6:1	DESIGN UNITS METRIC	THIRD ANGLE PROJECTION	REVISE ON CAD ONLY
	-0 -0	4 PLACES ± --- mm ± --- INCH 3 PLACES ± --- mm ± --- INCH 2 PLACES ± --- mm ± --- INCH 1 PLACE ± --- mm ± --- INCH	DIMENSION STYLE MM ONLY	TITLE		
		ANGULAR ± 2 °	DRAWN BY NMARTIN DATE 01/12/10	BACKPLANE GUIDANCE AND POLARIZING MODULE 8 ROW SALES DRAWING		
		DRAFT WHERE APPLICABLE MUST REMAIN WITHIN DIMENSIONS	CHECKED BY JLAURX DATE 01/12/10	MOLEX INCORPORATED		
			APPROVED BY CBIXLER	DATE 01/12/10	MATERIAL NO. SEE CHART	DOCUMENT NO. SD-74959-002
			THIS DRAWING CONTAINS INFORMATION THAT IS PROPRIETARY TO MOLEX INCORPORATED AND SHOULD NOT BE USED WITHOUT WRITTEN PERMISSION			SHEET NO. 1 OF 1